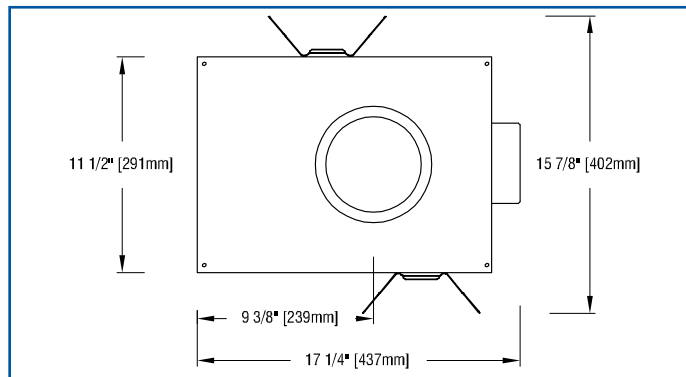
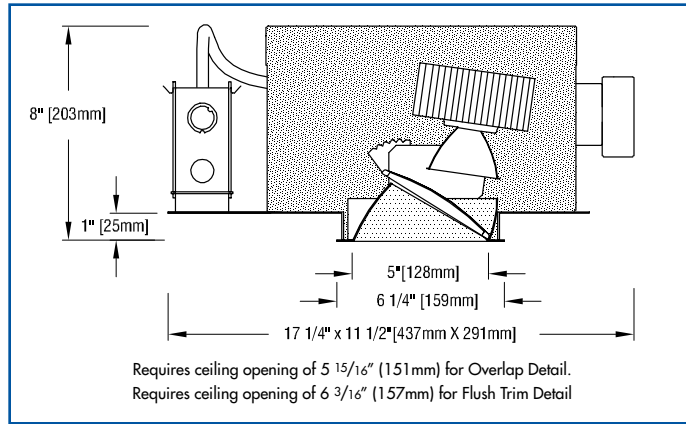


# FIVE HI CZS WL

recessed LED wallwasher

HIGH OUTPUT - HIGH OUTPUT - HIGH OUTPUT - HIGH OUTPUT - HIGH OUTPUT - HIGH OUTPUT - HIGH OUTPUT - HIGH OUTPUT




## FEATURES

- FIVE HI CZS WL is a 5" aperture LED wallwasher.** Luminaire is powered by Citizen chip-on-board LED's providing CRI's of 80+, 90+ or 97. See tables below for wattages and efficacies.
- Precise reflectors design provides uniform illumination** on vertical surfaces up to the ceiling line and minimizes aperture brightness. The optical assembly consists of two internal reflectors, a 40° x 70° glass spread lens, and an external trim. Assembly may be rotated 363°, oriented as desired and locked in place.
- An optional Optical Accessories holder** permits the use of one of a number of optical accessories including color filters and screens.
- External reflectors are available in clear natural aluminum finishes** — semi-specular (C), slightly diffuse (V) or fully diffuse (EC) — as well as champagne gold, black Alzak® or white. Other finishes available on special order.
- Housing is constructed from 20-gauge electro-zinc, polyester-coated steel** in Edison Price Lighting's American factory. Heavy-gauge metals and American manufacturing guarantee long-lasting durability.
- Luminaire includes a pair of mounting bars** (3/4" x 27" C channel). Specialty bars for wood joists and T-bar installations are also available.
- For more information, [click here](#).**

## APPLICATIONS



Luminaire is  listed for Damp Location. Fixture is prewired with an insulation detecting thermal protector. Luminaire approved for eight #12 wire 90° C branch circuit pull through wiring and is suitable for use in a fire rated ceiling. Removal of the external reflector allows access to the LED module and junction box.

**Warranty Detail** Our 5-year warranty does not include the provision of scaffolding, man-lifts, 'cherry pickers' or other extraordinary means of access to a product requiring maintenance.

## PRODUCT CODE

For complete product code, list basic unit and select one item from each following box.

|  |              |
|--|--------------|
| Basic Unit.....  | FH-CZS2-WL-5 |
| <b>Driver</b>  |              |
| dimble to 1% by a 0-10V dimmer on 120 or 277-volt service.....       | DMV          |
| dimble to 5% or 10% by either an incandescent or ELV dimmer;         |              |
| 120-volt service only.....   | DMP          |
| dimble to 1% by a Lutron (2-wire) incandescent dimmer.....           | DMHU         |
| dimble to 1% SoftOn/FadeToBlack by a Lutron EcoSystem control.....   | ECO-LU       |
| eldoLED 0-10V (Logarithmic) driver dimmable to 0.1% with a           |              |
| 0-10V dimmer on 120 or 277-volt service.....                         | DVOELG       |
| eldoLED 0-10V (Linear) driver dimmable to 0.1% with a                |              |
| 0-10V dimmer on 120 or 277-volt service.....                         | DVOELN       |
| eldoLED driver dimmable to 0.1%, compatible with                     |              |
| DAU control system.....  | DA0-EL       |
| Moon's driver dimmable to 0.1%, compatible with DMX controllers..... | DX0-MN       |
| Magnitude (Logarithmic) driver dimmable to 0.1% by a Zigbee Wireless |              |
| Network; wireless range 50' through standard walls.....              | ZGOMAG       |

|                                     |                         |      |
|-------------------------------------|-------------------------|------|
| <b>Light Source Output (Lumens)</b> |                         |      |
| 1500L / CRI 97.....                 | 2700K & 3000K only..... | L15A |
| 2100L.....                          | 2700K & 3000K only..... | L21A |
| 2800L.....                          | 2700K & 3000K only..... | L28A |
| 3000L.....                          | 2700K & 3000K only..... | L30A |
| 3900L.....                          | 2700K & 3000K only..... | L39A |
| 1700L / CRI 90+.....                | 2700K & 3000K only..... | L17H |
| 2300L.....                          | 2700K & 3000K only..... | L23H |
| 3100L.....                          | 2700K & 3000K only..... | L31H |
| 3400L.....                          | 2700K & 3000K only..... | L34H |
| 4400L.....                          | 2700K & 3000K only..... | L44H |
| 1900L / CRI 80+.....                |                         | L19S |
| 2700L.....                          |                         | L27S |
| 3600L.....                          |                         | L36S |
| 4000L.....                          |                         | L40S |
| 5100L.....                          |                         | L51S |

|                    |  |
|--------------------|--|
| <b>Light Color</b> |  |
| 2700 K.....        | 27K  |
| 3000 K.....        | 30K  |
| 3500 K.....        | not available with all Light Source Outputs..... 35K |
| 4000 K.....        | not available with all Light Source Outputs..... 40K |
| 5000 K.....        | not available with all Light Source Outputs..... 50K |

|                       |     |
|-----------------------|-----|
| <b>Voltage</b>        |     |
| 120 volt service..... | 120 |
| 277 volt service..... | 277 |

|  |                |                    |
|--|----------------|--------------------|
| <b>External Reflector Color and Detail</b>   | <b>Overlap</b> | <b>Trim Flush*</b> |
| Semi-specular Clear.....   | COL.....       | CTF                |
| Slightly diffuse Clear.....  | VOL.....       | VTF                |
| Fully diffuse Clear.....   | ECOL.....      | ECTF               |
| Champagne Gold.....  | GOL.....       | GTF                |
| Black.....   | BOL.....       | BTF                |
| White.....   | WOL.....       | WTF                |
| Standard reflector flange continues reflector finish. White painted flanges and custom painted flanges are available on special order. Add WF (white flange) or CCF (custom color flange). |                |                    |
| *Trim Flush reflector trim requires the use of a plaster ring Accessory (see below).   |                |                    |
| ▶ Reflectors detailed for metal or wood ceilings available on special order.   |                |                    |

## OPTIONS Specify by adding to the basic unit.

|  |    |
|--|----|
| <b>Remote emergency battery pack</b> including two components — battery pack and plate with test switch and light — to be mounted adjacent to fixture; for use in accessible ceilings..... | RX |
|--|----|

## ACCESSORIES Specify as separate line item.

|  |               |
|--|---------------|
| <b>holder for Optical Accessory</b> .....  | XTM/5 OA HLDR |
| <b>Plaster ring</b> allows use of 5 7/8" OD Trim Flush (TF) reflector in sheetrock ceiling; 6 3/16" dia hole required..... | TF RING/5     |

## OPTICAL ACCESSORIES ▼ see next page



## OPTICAL ACCESSORIES *Specify as separate line*

For use only with the "holder for Optical Accessory" accessory listed on the page above.  
All are 3 3/4" (95mm) diameter. Filters are glass; screens are aluminum.

|   |            |
|---|------------|
| <b>33% light reduction screen</b> ..... | SCR33/3.75 |
| <b>50% light reduction screen</b> ..... | SCR50/3.75 |
| <b>beam smoother</b> .....              | DIF05/3.75 |

### color filters

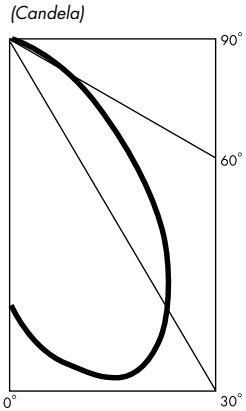
|                     |          |
|---------------------|----------|
| surprise pink ..... | PNK/3.75 |
| daylight blue ..... | DAY/3.75 |
| amber .....         | AMB/3.75 |
| blue .....          | BLU/3.75 |
| green .....         | GRN/3.75 |
| red .....           | RED/3.75 |

## PHOTOMETRIC REPORT (tested per IESNA LM-79-2008)

**Leading Testing Laboratories Report No. UT18080001-05a. Original test report furnished upon request.**

Luminaire ..... recessed LED round lensed wallwasher with semi-specular clear aluminum reflector  
Lamp ..... Citizen LED, 5100 lumens, 3000K CCT, 80 CRI, with 56° beam spread integral reflector  
Lamp Life ..... rated 50,000 hours based on L70/B50 criteria. LM80 report by LED manufacturer furnished upon request

### CANDLEPOWER DISTRIBUTION



### WALLWASH INFORMATION

(based on 3000 lumens, 3000K, 97 CRI LED)

| Distance From Ceiling (Feet) | 3' 6" From Wall; 3' 6" O.C. |                  | 4' From Wall; 3' 6" O.C. |                  |
|------------------------------|-----------------------------|------------------|--------------------------|------------------|
|                              | Below Fixture               | Between Fixtures | Below Fixture            | Between Fixtures |
| 1                            | 29                          | 24               | 22                       | 20               |
| 2                            | 49                          | 40               | 38                       | 34               |
| 3                            | 50                          | 46               | 43                       | 41               |
| 4                            | 41                          | 40               | 40                       | 39               |
| 5                            | 31                          | 30               | 32                       | 32               |
| 6                            | 23                          | 22               | 25                       | 24               |
| 7                            | 17                          | 17               | 19                       | 19               |
| 8                            | 13                          | 12               | 14                       | 14               |
| 9                            | 9                           | 9                | 11                       | 11               |
| 10                           | 7                           | 7                | 9                        | 9                |
| 11                           | 6                           | 6                | 7                        | 7                |
| 12                           | 5                           | 5                | 5                        | 5                |

These tables list initial illuminance values at the center of a row of at least 5 fixtures with no contribution from ceiling or floor reflectance.

### WALLWASH INFORMATION

(based on 5100 Lumens 3000K 80 CRI LED)

| Distance From Ceiling (Feet) | 4' 6" From Wall; 4' O.C. |                  | 5' From Wall; 4' 6" O.C. |                  |
|------------------------------|--------------------------|------------------|--------------------------|------------------|
|                              | Below Fixture            | Between Fixtures | Below Fixture            | Between Fixtures |
| 1                            | 27                       | 25               | 20                       | 19               |
| 2                            | 46                       | 40               | 34                       | 29               |
| 3                            | 55                       | 52               | 43                       | 40               |
| 4                            | 55                       | 53               | 45                       | 43               |
| 5                            | 47                       | 46               | 41                       | 40               |
| 6                            | 39                       | 38               | 36                       | 34               |
| 7                            | 31                       | 30               | 29                       | 29               |
| 8                            | 24                       | 24               | 23                       | 23               |
| 9                            | 19                       | 19               | 19                       | 19               |
| 10                           | 15                       | 15               | 15                       | 16               |
| 11                           | 12                       | 12               | 12                       | 13               |
| 12                           | 10                       | 10               | 10                       | 10               |
| 13                           | 9                        | 8                | 9                        | 9                |
| 14                           | 8                        | 7                | 7                        | 7                |
| 15                           | 5                        | 5                | 6                        | 6                |
| 16                           |                          |                  | 5                        | 5                |
| 17                           |                          |                  | 5                        | 5                |
| 18                           |                          |                  | 4                        | 4                |

This table lists initial illuminance values at the center of a row of at least 5 fixtures with no contribution from ceiling or floor reflectance.

## LUMINAIRE LIGHT OUTPUT AND EFFICACY (3000K LED)

| LED Light Engine          | Luminaire Light Output | Luminaire Efficacy (lms/watt) | System Wattage | EM Light Output (90 min. run) |
|---------------------------|------------------------|-------------------------------|----------------|-------------------------------|
| 1500 Lumens 97 CRI (L15A) | 595*                   | 37*                           | 16             | 226*                          |
| 2100 Lumens 97 CRI (L21A) | 820*                   | 39*                           | 21             | 226*                          |
| 2800 Lumens 97 CRI (L28A) | 1108*                  | 37*                           | 30             | 226*                          |
| 3000 Lumens 97 CRI (L30A) | 1231*                  | 36*                           | 34             | 226*                          |
| 3900 Lumens 97 CRI (L39A) | 1579*                  | 33*                           | 48             | 226*                          |
| 1700 Lumens 90 CRI (L17H) | 677*                   | 42*                           | 16             | 246*                          |
| 2300 Lumens 90 CRI (L23H) | 923*                   | 44*                           | 21             | 246*                          |
| 3100 Lumens 90 CRI (L31H) | 1231*                  | 41*                           | 30             | 246*                          |
| 3400 Lumens 90CRI (L34H)  | 1374*                  | 40*                           | 34             | 246*                          |
| 4400 Lumens 90 CRI (L44H) | 1764*                  | 37*                           | 48             | 246*                          |
| 1900 Lumens 80 CRI (L19S) | 779*                   | 49*                           | 16             | 287*                          |
| 2700 Lumens 80 CRI (L27S) | 1087*                  | 52*                           | 21             | 287*                          |
| 3600 Lumens 80 CRI (L36S) | 1456*                  | 49*                           | 30             | 287*                          |
| 4000 Lumens 80 CRI (L40S) | 1600*                  | 47*                           | 34             | 287*                          |
| 5100 Lumens 80 CRI (L51S) | 2051                   | 43                            | 48             | 287*                          |

\*estimated values

## LIGHT OUTPUT MULTIPLIER *(based on 5100 lumens, 3000K LED)*

| LED Light Engine          | Light Output Multiplier | REM Light Output Multiplier (90-minute run) |
|---------------------------|-------------------------|---|
| 1500 Lumens 97 CRI (L15A) | 0.29*                   | 0.11*                                       |
| 2100 Lumens 97 CRI (L21A) | 0.4*                    | 0.11*                                       |
| 2800 Lumens 97 CRI (L28A) | 0.54*                   | 0.11*                                       |
| 3000 Lumens 97 CRI (L30A) | 0.6*                    | 0.11*                                       |
| 3900 Lumens 97 CRI (L39A) | 0.77*                   | 0.11*                                       |
| 1700 Lumens 90 CRI (L17H) | 0.33*                   | 0.12*                                       |
| 2300 Lumens 90 CRI (L23H) | 0.45*                   | 0.12*                                       |
| 3100 Lumens 90 CRI (L31H) | 0.6*                    | 0.12*                                       |
| 3400 Lumens 90 CRI (L34H) | 0.67*                   | 0.12*                                       |
| 4400 Lumens 90 CRI (L44H) | 0.86*                   | 0.12*                                       |
| 1900 Lumens 80 CRI (L19S) | 0.38*                   | 0.14*                                       |
| 2700 Lumens 80 CRI (L27S) | 0.53*                   | 0.14*                                       |
| 3600 Lumens 80 CRI (L36S) | 0.71*                   | 0.14*                                       |
| 4000 Lumens 80 CRI (L40S) | 0.78*                   | 0.14*                                       |
| 5100 Lumens 80 CRI (L51S) | 1                       | 0.14*                                       |

\*estimated values

## STANDARD (0-10V DIMMING) DRIVER INFORMATION

UL Class 2, dry and damp location

| Voltage  | 120                 | 277                 |
|--|---------------------|---------------------|
| Input Watts<br>(L15A/L21A/L28A/L30A/L39A/<br>L17H/L23H/L31H/L34H/L44H/<br>L19S/L27S/L36S/L40S/L51S lumens)       | 16/21/30/34/48      | 16/21/30/34/48      |
| Input Current (A)<br>(L15A/L21A/L28A/L30A/L39A/<br>L17H/L23H/L31H/L34H/L44H/<br>L19S/L27S/L36S/L40S/L51S lumens) | .13/.18/.25/.28/.40 | .06/.08/.11/.12/.17 |
| Output Current (mA)  | 350-1100            | 350-1100            |
| Min. Power Factor  | >0.9                | >0.9                |
| Operating Temperature Range (F)  | -4 to 122           | -4 to 122           |

## REFLECTOR COLOR MULTIPLIERS

|                            |     |
|----------------------------|-----|
| Semi-specular clear (C)    | 1   |
| Slightly diffuse clear (V) | .95 |
| Fully diffuse clear (EC)   | .88 |
| Champagne gold clear (G)   | .95 |
| Black (B)                  | .49 |

## LED CCT MULTIPLIERS

|       |      |
|-------|------|
| 2700K | .96  |
| 3000K | 1    |
| 3500K | 1.02 |
| 4000K | 1.03 |
| 5000K | 1.04 |