

LED FTF DL/4 7DAY



MADE IN USA

[Click here!](#)


recessed **quick ship** LED downlight

FULLY SUSTAINABLE - FULLY SUSTAINABLE - FULLY SUSTAINABLE - FULLY SUSTAINABLE - FULLY SUSTAINABLE - FULLY SUSTAINABLE - FULLY SUSTAINABLE

FEATURES

- LED FTF DL/4 7DAY is a Quick Ship 4" aperture LED downlight.
- Luminaire is powered by an integral Philips Fortimo DLM remote phosphor LED module, dimmable to 1% with a 0-10 volt dimmer, with a CRI of 90+. See tables below for system wattages and luminaire efficacies.
- Precise reflector design yields an optical efficiency of 90%, minimizes aperture brightness and provides a shielding angle of 40°.
- Luminaire includes an integral plastic shield, making the fixture suitable for food service areas and other applications requiring protection from lamp failure.
- External reflector is available in two clear natural aluminum finishes – semi-specular Alzak (C) or slightly diffuse (V) – as well as white.
- Luminaire includes a pair of mounting bars (3/4" x 27" C channel). Specialty bars for wood joist and T-bar installations are also available.
- For more information, [click here](#).

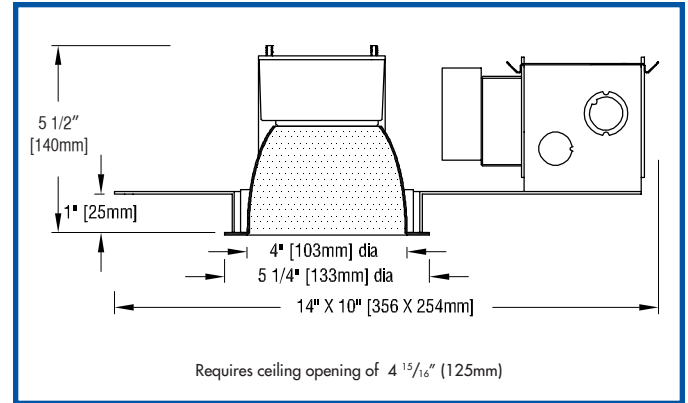
APPLICATIONS

Fixture is  listed for Damp Location. Fixture is prewired and approved for ten #12 wire 90° branch circuit pull-through wiring. All fixtures are RoHS compliant. Removal of the reflector allows access to the junction box.



7DAY

For orders of 50 or fewer fixtures, housings will ship within seven business days. For larger quantities, [contact us](#).



PRODUCT CODE

For complete product code, list basic unit and select one item from each following box.

Basic Unit LED-FTF-4DL-7DAY

Driver
dimmable to 1% by a 0-10V dimmer on 120v or 277v service..... - DMV-AD

Light Source Output
1 100 lumens L11
1 500 lumens L15
2 000 lumens L20
3 000 lumens L30

Light Engine Color
3000K (CRI 90+) 30K
3500K (CRI 90+) 35K

Reflector Color and Detail *Overlap Flange*
Semi-specular Clear COL
Slightly diffuse Clear VOL
White WOL
White painted flanges are available; add WF (white flange).



41-50 22ND STREET, LIC NY 11101 TEL 718.685.0700 FAX 718.786.8530 www.epl.com
U.S. Patent No. US 7,744,256 B2 (June 29, 2010)

©Copyright, Edison Price Lighting 2018

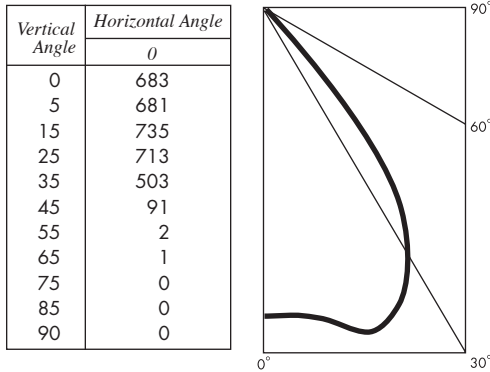
LED 0-060A 12:18

PHOTOMETRIC REPORT (tested per IESNA LM-79-2008)

prorated from (LTL) Report No. 21293. Original Luminaire Testing Laboratories, Inc. (LTL) test reports furnished upon request.

Luminaire recessed LED round downlight with aluminum reflector
 Lamp Philips LED Fortimo DLM 1100, 3000K CCT
 Lamp Life rated 50,000 hours based on L70/B50 criteria. LM80 report by LED manufacturer furnished upon request
 Spacing Criteria 1.3

CANDLEPOWER DISTRIBUTION (Candela)



DRIVER INFORMATION *UL Class 2, dry and damp location*

Voltage	120	277
Input Watts (1100/1500/2000/3000 lumens)	13/17/24/34	13/17/24/34
Input Current (A) (1100/1500/2000/3000 lumens)	.11/.14/.20/.28	.05/.06/.09/.12
Min. Power Factor	>0.95	>0.95
Operating Temperature Range (F)	-4 to 122	-4 to 122

COLOR MULTIPLIERS

Semi-specular Clear (C)	1
EvenTone (V)	.95
Champagne Gold (G)	.95
Black (B)	.49

LUMINANCE DATA

Vertical Angle	Candelam ²
45	15952
55	376
65	192
75	104
85	310

ZONAL LUMEN SUMMARY

Zone	Lumens	% Fixture
0 - 30°	599	60.6
0 - 40°	904	91.4
0 - 60°	988	99.9
0 - 90°	989	100.0
90 - 180°	0	0.0
0 - 180°	989	100.0

LIGHT OUTPUT MULTIPLIERS

LED Light Engine	Light Output Multiplier				EM 3000K
	2700K	3000K	3500K	4000K	
L11	0.96*	1	1.03*	-	0.51*
L15	1.29*	1.34*	1.38*	-	0.51*
L20	1.71*	1.78*	1.83*	-	0.51*
L30	2.59*	2.7*	2.77*	2.83*	0.53*

*estimated values

LUMINAIRE LIGHT OUTPUT AND EFFICACY

LED Module Type	Luminaire Light Output	Luminaire Efficacy (lms/watt)	Luminaire Light Output	Luminaire Efficacy (lms/watt)	Luminaire Light Output	Luminaire Efficacy (lms/watt)	Luminaire Light Output	Luminaire Efficacy (lms/watt)	System Wattage	RX Light Output (90 min. run) 3000K
	2700K		3000K		3500K		4000K			
L11	949*	73*	989	76	1019*	78*	-	-	13	504*
L15	1276*	75*	1325*	78*	1365*	80*	-	-	17	504*
L20	1691*	70*	1760*	73*	1810*	75*	-	-	24	504*
L30	2562*	75*	2670*	79*	2740*	81*	2799*	82*	34	524*

*estimated values