

Project

Date

Product Code

Type

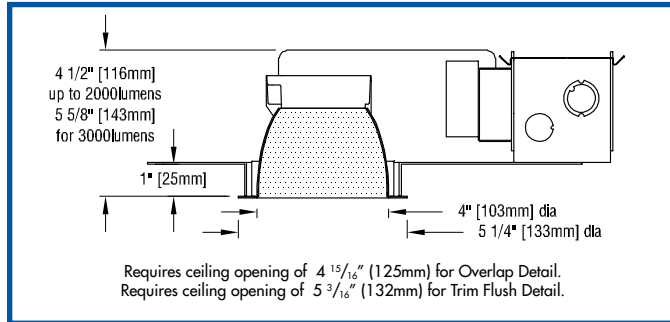
Designer



# LED FTF DL/4

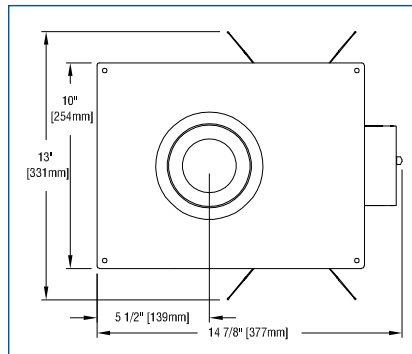
recessed LED downlight

COMPETITIVELY PRICED - COMPETITIVELY PRICED - COMPETITIVELY PRICED - COMPETITIVELY PRICED



## FEATURES

- **LED FTF DL/4 is a 4" aperture LED downlight.** Luminaire is powered by an integral Philips Fortimo DLM Flex LED module with a CRI of 90. See tables below for wattages and efficacies. Luminaire may be ordered with one of a number of drivers.
- **Precise reflector design minimizes aperture brightness** and provides a shielding angle of 40°.
- **Luminaire includes an integral plastic shield**, making the fixture suitable for food service areas and other applications requiring protection from lamp failure.
- **External reflectors are available in clear natural aluminum finishes** – semi-specular Alzak (C) or slightly diffuse (V) – as well as champagne gold and black. Other reflector finishes are available on special order.
- **Luminaire includes a pair of mounting bars** (3/4" x 27" C channel). Specialty bars for wood joist and T-bar installations are also available.
- **For more information, [click here](#).**



## APPLICATIONS

Fixture is listed for Damp Location. Fixture is prewired with thermal protector and approved for ten #12 wire 90° branch circuit pull-through wiring. If specified with a "DMV-AD" driver fixture qualifies for the safety program prescribed by UL991 and CSA22.2, and does not require a thermal protector. Removal of the reflector allows access to the junction box.



### SPACING REQUIREMENT

The L30 model of this luminaire must be spaced 36" apart and 18" from walls, and must have 1/2" clearance above housing.

## PRODUCT CODE

For complete product code, list basic unit and select one item from each following box.

Basic Unit .....	LED-FTF-4DL	
Driver		
dimmable to 1% by a 0-10V dimmer on 120 or 277-volt service ... - DMV-AD		
dimmable to 1% by a 2-wire Lutron compatible dimmer, on 120-volt service only .....	- DMH-LU	
dimmable to 1% SoftOn/FadeToBlack by a Lutron EcoSystem control, on 120-volt or 277-volt service .....	- ECO-LU	
eldoLED 0-10V (Logarithmic) driver dimmable to 0.1% with a 0-10V dimmer on 120 or 277-volt service .....	- DVOELG	
eldoLED 0-10V (Linear) driver dimmable to 1% with a 0-10V dimmer on 120 or 277-volt service .....	- DVOELN	
eldoLED drivers dimmable to 0.1% by a DALI control system .....	- DAL-EL	
Moons' driver dimmable to 0.1% by DMX controllers .....	- DXO-MN	
dimmable to 0.1% by a Zigbee wireless network (Daintree, Encelium or Wink); wireless range 50' through standard walls .....	- ZGOMAG	
Light Source Output		
1100 lumens .....	4000K not available..... L11	
1500 lumens .....	4000K not available..... L15	
2000 lumens .....	4000K not available..... L20	
3000 lumens .....	see SPACING..... L30	
Light Engine Color		
2700K (CRI 90) .....	27K	
3000K (CRI 90) .....	30K	
3500K (CRI 90) .....	35K	
4000K (CRI 90) .....	not available on L11, L15 or L20 models..... 40K	
Voltage		
120 volt service .....	- 120	
277 volt service .....	- 277	
Reflector Color and Detail	Overlap Flange	Trim Flush*
Semi-specular Clear .....	COL .....	CTF
Slightly diffuse Clear .....	VOL .....	VTF
Champagne Gold .....	GOL .....	GTF
White .....	WOL .....	WTF
Other reflector finishes available on special order.		
Overlap Flange continues reflector finish. White painted flanges and custom painted flanges are available on special order. Add WF (white flange) or CCF (custom color flange).		
*Trim Flush reflector trim requires the use of a plaster ring Accessory (see below).		
▶ Reflectors detailed for metal or wood ceilings available on special order.		

## OPTIONS

Specify by adding to the basic unit.

<b>Emergency battery pack;</b> increases depth to 9", increases footprint length to 18 3/8"; 3" additional clearance needed to service pack through aperture .....	- EM
--	------

## ACCESSORIES

Specify as a separate line item.

<b>Plaster ring</b> allows use of 4 7/8" OD Trim Flush (-TF) reflector in sheetrock ceiling; 5 3/16" dia hole required .....	TF RING/4
--	-----------

### MODIFICATIONS AVAILABLE

Contact factory with quantity for pricing; orders may require shop drawing approval.  
**+DOD:** luminaire suitable for **high humidity** environments; add +DOD to Product Code.  
**+MAR:** reflector suitable for **marine** environments; add +MAR to Product Code.

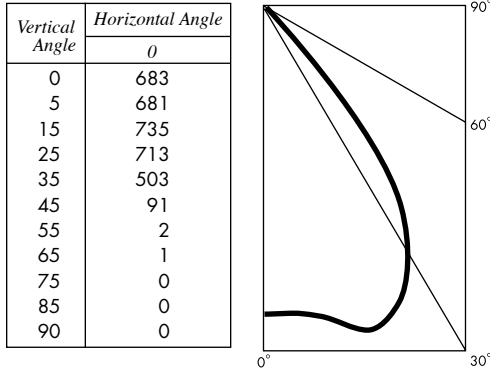


## PHOTOMETRIC REPORT (tested per IESNA LM-79-2008)

prorated from (LTL) Report No. 21293. Original Luminaire Testing Laboratories, Inc. (LTL) test reports furnished upon request.

Luminaire ..... recessed LED round downlight with aluminum reflector  
 Lamp ..... Philips LED Fortimo DLM 1100, 3000K CCT  
 Lamp Life ..... rated 50,000 hours based on L70/B50 criteria. LM80 report by LED manufacturer furnished upon request  
 Spacing Criteria ..... 1.3

### CANDLEPOWER DISTRIBUTION (Candela)



### DRIVER INFORMATION *UL Class 2, dry and damp location*

Voltage	120	277
Input Watts (1100/1500/2000/3000 lumens)	13/17/24/34	13/17/24/34
Input Current (A) (1100/1500/2000/3000 lumens)	.11/.14/.20/.28	.05/.06/.09/.12
Min. Power Factor	>0.95	>0.95
Operating Temperature Range (F)	-4 to 122	-4 to 122

### COLOR MULTIPLIERS

Semi-specular Clear (C)	1
EvenTone (V)	.95
Champagne Gold (G)	.95
Black (B)	.49

### LUMINANCE DATA

Vertical Angle	Candela/m <sup>2</sup>
45	15952
55	376
65	192
75	104
85	310

### ZONAL LUMEN SUMMARY

Zone	Lumens	% Fixture
0 - 30°	599	60.6
0 - 40°	904	91.4
0 - 60°	988	99.9
0 - 90°	989	100.0
90 - 180°	0	0.0
0 - 180°	989	100.0

### LIGHT OUTPUT MULTIPLIERS

LED Light Engine	Light Output Multiplier				EM 3000K
	2700K	3000K	3500K	4000K	
L11	0.96*	1	1.03*	-	0.51*
L15	1.29*	1.34*	1.38*	-	0.51*
L20	1.71*	1.78*	1.83*	-	0.51*
L30	2.59*	2.7*	2.77*	2.83*	0.53*

\*estimated values

### LUMINAIRE LIGHT OUTPUT AND EFFICACY

LED Module Type	Luminaire Light Output	Luminaire Efficacy (lms/watt)	Luminaire Light Output	Luminaire Efficacy (lms/watt)	Luminaire Light Output	Luminaire Efficacy (lms/watt)	Luminaire Light Output	Luminaire Efficacy (lms/watt)	System Wattage	RX Light Output (90 min. run) 3000K
	2700K		3000K		3500K		4000K			
L11	949*	73*	989	76	1019*	78*	-	-	13	504*
L15	1276*	75*	1325*	78*	1365*	80*	-	-	17	504*
L20	1691*	70*	1760*	73*	1810*	75*	-	-	24	504*
L30	2562*	75*	2670*	79*	2740*	81*	2799*	82*	34	524*

\*estimated values