

Project

Date Product Code

Type

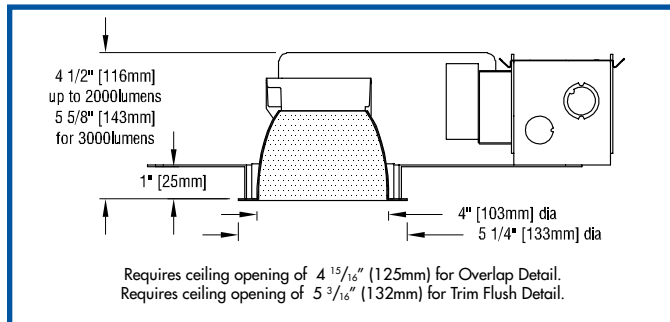
Designer



LED FTF DL/4

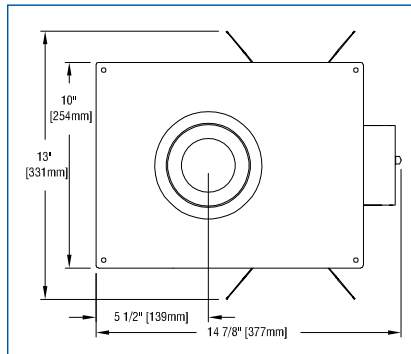
recessed LED downlight

COMPETITIVELY PRICED - COMPETITIVELY PRICED - COMPETITIVELY PRICED - COMPETITIVELY PRICED



FEATURES

- LED FTF DL/4 is a 4" aperture LED downlight. Luminaire is powered by an integral Philips Fortimo DLM Flex LED module. See tables below for wattages and efficacies. Luminaire may be ordered with one of a number of drivers.
- Precise reflector design minimizes aperture brightness and provides a shielding angle of 40°.
- Luminaire includes an integral plastic shield, making the fixture suitable for food service areas and other applications requiring protection from lamp failure.
- External reflectors are available in clear natural aluminum finishes – semi-specular Alzak (C) or slightly diffuse (V) – as well as champagne gold and black. Other reflector finishes are available on special order.
- Luminaire includes a pair of mounting bars (3/4" x 27" C channel). Specialty bars for wood joist and T-bar installations are also available.
- For more information, [click here](#).



APPLICATIONS

Fixture is listed for Damp Location. Fixture is prewired with thermal protector and approved for ten #12 wire 90° branch circuit pull-through wiring. If specified with a "DMV-AD" driver fixture qualifies for the safety program prescribed by UL991 and CSA22.2, and does not require a thermal protector. Removal of the reflector allows access to the junction box.

Removal of the reflector allows access to the junction box.



SPACING REQUIREMENT

The L30H and L40S models of this luminaire must be spaced 36" apart and 18" from walls and must have 1/2" clearance above housing.

For wet locations, see [WET LOCATION FTF/4](#)

For IC-rated, see [EPIC LED FTF DL/4](#)

PRODUCT CODE

For complete product code, list basic unit and select one item from each following box.

Basic Unit LED-FTF-4DL

Driver

dimmmable to 1% by a 0-10V dimmer on 120 or 277-volt service ... - DMV-AD
dimmmable to 1% by a 2-wire Lutron compatible dimmer, on 120-volt service only - DML-U
dimmmable to 1% SoftOn/FadeToBlack by a Lutron EcoSystem control, on 120-volt or 277-volt service - ECO-LU
eldoLED 0-10V (Logarithmic) driver dimmmable to 0.1% with a 0-10V dimmer on 120 or 277-volt service - DVOELG
eldoLED 0-10V (Linear) driver dimmmable to 0.1% with a 0-10V dimmer on 120 or 277-volt service - DVOELN
eldoLED drivers dimmmable to 0.1% by a DALI control system - DAO-EL
Moons' driver dimmmable to 0.1% by DMX controllers - DXO-MN
dimmmable to 0.1% by a Zigbee wireless network (Daintree, Encelium or Wink); wireless range 50' through standard walls - ZGOMAG

Light Source Output

1100 lumens/CRI 90 4000K & 5000K not available - L11H
1500 lumens 4000K & 5000K not available - L15H
2000 lumens 4000K & 5000K not available - L20H
3000 lumens see SPACING 4000K & 5000K not available - L30H
4000 lumens/CRI 80 ...see SPACING 2700K not available - L40S

Light Engine Color

2700K not available on L40S model 27K
3000K 30K
3500K 35K
4000K not available on L11H, L15H, L20H & L30H models 40K
5000K not available on L11H, L15H, L20H & L30H models 50K

Voltage

120 volt service - 120
277 volt service - 277

Reflector Color and Detail

	Overlap Flange	Trim Flush*
Semi-specular Clear	COL	CTF
Slightly diffuse Clear	VOL	VTF
Champagne Gold	GOL	GTF
White	WOL	WTF

Other reflector finishes available on special order. Overlap Flange continues reflector finish. White painted flanges and custom painted flanges are available on special order. Add WF (white flange) or CCF (custom color flange).

*Trim Flush reflector trim requires the use of a plaster ring Accessory (see below).

▶ Reflectors detailed for metal or wood ceilings available on special order.

OPTIONS Specify by adding to the basic unit.

Emergency battery pack; increases depth to 9", increases footprint length to 18 3/8"; 3" additional clearance needed to service pack through aperture - EM

ACCESSORIES Specify as a separate line item.

Plaster ring allows use of 4 7/8" OD Trim Flush (-TF) reflector in sheetrock ceiling; 5 3/16" dia hole required TF RING/4

MODIFICATIONS AVAILABLE

Contact factory with quantity for pricing; orders may require shop drawing approval.

+DOD: luminaire suitable for **high humidity** environments; add +DOD to Product Code.

+MAR: reflector suitable for **marine** environments; add +MAR to Product Code.

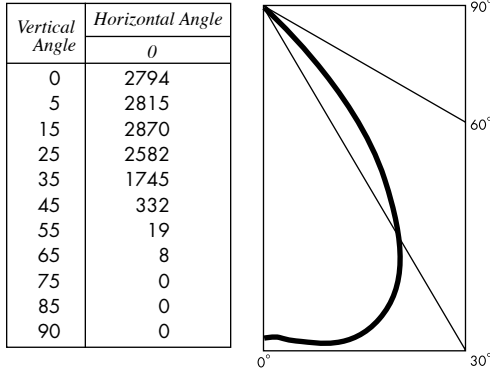


PHOTOMETRIC REPORT (tested per IESNA LM-79-2008)

Leading Testing Laboratories Report No. UT19050003-01. Original test report furnished upon request.

Luminaire recessed LED round downlight with aluminum reflector
 Lamp Philips Fortimo DLM 4000 lumens, 80 CRI, 3000K CCT
 Lamp Life rated 50,000 hours based on L70/B50 criteria. LM80 report by LED manufacturer furnished upon request.
 Spacing Criteria 1.2

CANDLEPOWER DISTRIBUTION



DRIVER INFORMATION *UL Class 2, dry and damp location*

Voltage	120	277
Input Watts (L11H/L15H/L20H/L30H/L40S LED)	13/17/24/35/37	13/17/24/35/37
Input Current (A) (L11H/L15H/L20H/L30H/L40S LED)	.11/.14/.20/.29/.31	.05/.06/.09/.13/.13
Min. Power Factor	>0.95	>0.95
Operating Temperature Range (F)	-4 to 122	-4 to 122

REFLECTOR

COLOR MULTIPLIERS

Semi-specular Clear (C)	1
EvenTone (V)	.95
Champagne Gold (G)	.95
Black (B)	.49

COLOR TEMPERATURE

MULTIPLIER

2700K	0.96
3000K	1
3500K	1.03
4000K	1.05
5000K	1.06

LUMINANCE DATA

Vertical Angle	Candelalm ²
45	57975
55	4090
65	2337
75	0
85	0

ZONAL LUMEN SUMMARY

Zone	Lumens	% Fixture
0 - 30°	2257	61.8
0 - 40°	3320	90.9
0 - 60°	3653	100.0
0 - 90°	3653	100.0
90 -180°	0.0	0.0
0 -180°	3653	100.0

LIGHT OUTPUT MULTIPLIERS

(Based on 4000 lumens 80 CRI 3000K LED)

LED Light Engine	Light Output Multiplier	EM Light Output Multiplier (90-minute run)
L11H	0.29*	0.13*
L15H	0.38*	0.13*
L20H	0.51*	0.13*
L30H	0.78*	0.13*
L40S	1	0.14*

*estimated values

LUMINAIRE LIGHT OUTPUT AND EFFICACY *(Based 3000K LED)*

LED Module Type	Luminaire Light Output	Luminaire Efficacy (lms/watt)	System Wattage	EM Light Output (90-minute run)
L11H	1059*	81*	13	475*
L15H	1388*	82*	17	475*
L20H	1863*	78*	24	475*
L30H	2849*	81*	35	475*
L40S	3653	99	37	511*

*estimated values