

Project

Date

Product Code

Type

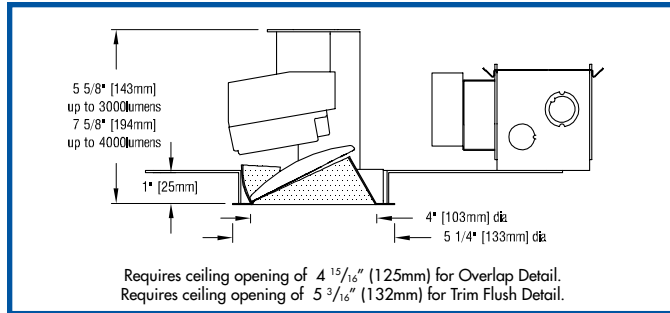
Designer



LED FTF WL/4

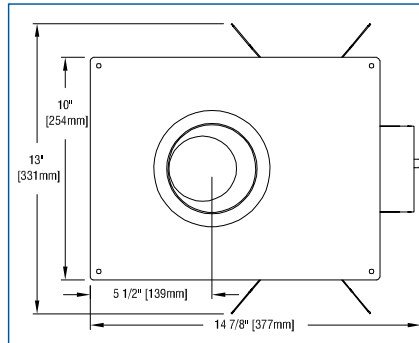
recessed lensed LED wallwasher

COMPETITIVELY PRICED – EPL QUALITY – COMPETITIVELY PRICED – EPL QUALITY – COMPETITIVELY PRICED – EPL QUALITY – COMPETITIVELY PRICED – EPL QUALITY



FEATURES

- **LED FTF WL/4 is a 4" aperture LED lensed wallwasher.** Luminaire is powered by an integral Philips Fortimo DLM Flex LED module. See tables below for wattages and efficacies. Luminaire may be ordered with one of a number of drivers.
- **Precise reflector design provides uniform illumination** on vertical surfaces up to the ceiling line and minimizes aperture brightness. The optical assembly consists of two internal reflectors and a 40° x 70° glass spread lens.
- **External reflectors are available in clear natural aluminum finishes** – semi-specular Alzak (C) or slightly diffuse (V) – as well as champagne gold and black. Other reflector finishes are available on special order.
- **Housing is constructed from 14-gauge and 16-gauge electro-zinc steel** in Edison Price Lighting's American factory. Heavy-gauge metals and American manufacturing guarantee long-lasting durability.
- **Luminaire includes a pair of mounting bars** (3/4" x 27" C channel). Specialty bars for wood joist and T-bar installations are also available.
- **For more information, [click here](#).**



APPLICATIONS

Fixture is listed for Damp Location. Fixture is prewired with thermal protector and approved for ten #12 wire 90° branch circuit pull-through wiring. If specified with a "DMV-AD" driver fixture qualifies for the safety program prescribed by UL991 and CSA22.2, and does not require a thermal protector. Removal of the reflector allows access to the junction box.



MODIFICATIONS AVAILABLE

Contact factory with quantity for pricing; orders may require shop drawing approval.
+DOD: luminaire suitable for **high humidity** environments; add +DOD to Product Code.
+MAR: reflector suitable for **marine** environments; add +MAR to Product Code.

SPACING REQUIREMENT

The L30H, L30S and L40S models of this luminaire must be spaced 36" apart and 18" from walls and must have 1/2" clearance above housing.

For IC-rated model, see [EPIC LED FTF WL/4](#)
For tunable white, see [FOUR HI TUNE WL](#)
For dim-to-warm, see [FOUR HI WARM WL](#)

PRODUCT CODE

For complete product code, list basic unit and select one item from each following box.

Basic Unit	LED-FTF-4WL
Driver	
dimmable to 1% by a 0-10V dimmer on 120 or 277-volt service ... - DMV-AD	
dimmable to 1% SoftOn/FadeToBlack by a Lutron EcoSystem control, on 120-volt or 277-volt service	ECO-LU
dimmable to 1% by a 2-wire Lutron compatible dimmer, on 120-volt service only	DM-LU
eldoLED 0-10V (Logarithmic) driver dimmable to 0.1% with a 0-10V dimmer on 120 or 277-volt service	DVOELG
eldoLED 0-10V (Linear) driver dimmable to 0.1% with a 0-10V dimmer on 120 or 277-volt service	DVOELN
eldoLED drivers dimmable to 0.1% by a DALI control system	DAO-EL
Moons' driver dimmable to 0.1% by DMX controllers	DXO-MN
dimmable to 0.1% by a Zigbee wireless network (Daintree, Encelium or Wink); wireless range 50' through standard walls	ZGOMAG

Light Source Output	
1100 lumens / CRI 90	L11H
1500 lumens	L15H
2000 lumens	L20H
3000 lumens	see SPACING
3000 lumens	L30H
1100 lumens / CRI 80	L11S
1500 lumens	L15S
2000 lumens	L20S
3000 lumens	see SPACING
3000 lumens	L30S
4000 lumens	see SPACING
4000 lumens	L40S

Light Engine Color	
2700K: available for L11H, L15H, L20H & L30H only	27K
3000K: available for L11H, L15H, L20H, L30H & L40S only	30K
3500K: available for L11H, L15H, L20H, L30H & L40S only	35K
4000K: available for L11S, L15S, L20S, L30S & L40S only	40K
5000K: available for L40S only	50K

Voltage	
120 volt service	120
277 volt service	277

Reflector Color and Detail	<i>Overlap Flange</i>	<i>Trim Flush*</i>
Semi-specular Clear	COL	CTF
Slightly diffuse Clear	VOL	VTF
Champagne Gold	GOL	GTF
White	WOL	WTF
Other reflector finishes available on special order.		
Overlap Flange continues reflector finish. White painted flanges and custom painted flanges are available on special order. Add WF (white flange) or CCF (custom color flange).		
*Trim Flush reflector trim requires the use of a plaster ring Accessory (see below).		
▶ Reflectors detailed for metal or wood ceilings available on special order.		

OPTIONS *Specify by adding to the basic unit.*

Emergency battery pack; remote test switch mounted adjacent to luminaire; increases depth to 7 3/4", increases footprint length to 18 3/8"; 3" additional clearance needed to service pack through aperture	- RM
--	------

ACCESSORIES *Specify as a separate line item.*

Plaster ring allows use of 4 7/8" OD Trim Flush (-TF) reflector in sheetrock ceiling; 5 3/16" dia hole required	TF RING/4
--	-----------



PHOTOMETRIC REPORT (tested per IESNA LM-79-2008)

prorated from **LTL** Report No. 21290. Original Luminaire Testing Laboratories, Inc. (LTL) test reports furnished upon request.

Luminaire recessed LED round lensed wallwasher with aluminum reflector and 40° x 70° lens
 Lamp Philips LED Fortimo DLM 1100, 90 CRI, 3000K CCT
 Lamp Life rated 50,000 hours based on L70/B50 criteria. LM80 report by LED manufacturer furnished upon request

WALLWASH INFORMATION

(Based on 1100 lumens 90 CRI 3000K LED)

Distance From Ceiling (Feet)	2' 6" From Wall; 2' 6" O.C.		3' From Wall; 3' O.C.	
	Below Fixture	Between Fixtures	Below Fixture	Between Fixtures
1	16	12	9	7
2	32	29	21	17
3	27	28	21	21
4	21	21	17	18
5	15	15	14	14
6	11	11	11	10
7	8	8	8	8
8	6	6	6	6
9	5	5	5	5
10			4	4

This table lists initial illuminance values at the center of a row of at least 5 fixtures with no contribution from ceiling or floor reflectance.

WALLWASH INFORMATION

(Based on 3000 lumens 90 CRI 3000K LED)

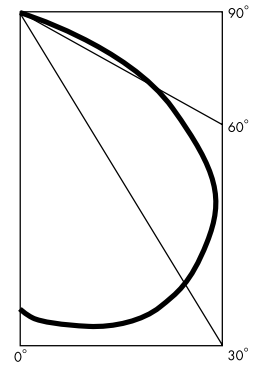
Distance From Ceiling (Feet)	3' 6" From Wall; 3' 6" O.C.		4' From Wall; 4' O.C.	
	Below Fixture	Between Fixtures	Below Fixture	Between Fixtures
1	16	12	10	8
2	36	27	23	17
3	45	42	34	30
4	39	40	32	33
5	32	33	28	29
6	26	26	24	24
7	21	21	20	19
8	17	17	16	16
9	14	13	13	13
10	11	11	11	11
11	9	9	9	9
12			8	8

This table lists initial illuminance values at the center of a row of at least 5 fixtures with no contribution from ceiling or floor reflectance.

LUMINAIRE LIGHT OUTPUT AND EFFICACY (Based on 1100 lumens 90 CRI 3000K LED)

LED Module Type	Luminaire Light Output	Luminaire Efficacy (lms/watt)	System Wattage	EM Light Output (90-minute run)
L11H/L11S	606	47/51	13/12	267*
L15H/L15S	812*	48*/54*	17/15	267*
L20H/L20S	1085*	45*/52*	24/21	267*
L30H/L30S	1654*	47*/49*	35/34	285*
L40S	2121*	57*	37	297*

*estimated values



DRIVER INFORMATION UL Class 2, dry and damp location

Voltage	120	277
Input Watts (L11H/L11S/L15H/L15S/L20H/L20S/L30H/L30S/L40S LED)	13/12/17/15/24/21/35/34/37	13/12/17/15/24/21/35/34/37
Input Current (A) (L11H/L11S/L15H/L15S/L20H/L20S/L30H/L30S/L40S LED)	.11/.10/.14/.13/.20/.18/.29/.28/.31	.05/.04/.06/.05/.09/.08/.13/.12/.13
Min. Power Factor	>0.95	>0.95
Operating Temperature Range (F)	-4 to 122	-4 to 122

LIGHT OUTPUT MULTIPLIERS

(Based on 1100 lumens 90 CRI 3000K LED)

LED Light Engine	Light Output Multiplier	EM Light Output Multiplier (90-minute run)
L11H/L11S	1	0.44*
L15H/L15S	1.34*	0.44*
L20H/L20S	1.79*	0.44*
L30H/L30S	2.73*	0.47*
L40S	3.5*	0.49*

*estimated values

REFLECTOR COLOR MULTIPLIERS

Semi-specular Clear (C)	1
EvenTone (V)	.95
Champagne Gold (G)	.95
Black (B)	.49

COLOR TEMPERATURE MULTIPLIER

2700K	0.96
3000K	1
3500K	1.03
4000K	1.05
5000K	1.06