

Project

Type



MADE IN USA

[Click Here](#)

Date

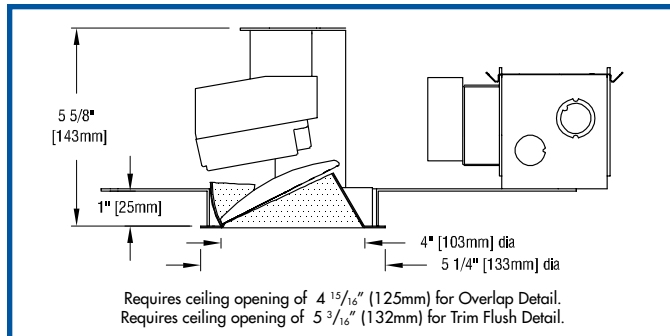
Product Code

Designer

LED FTF WL/4

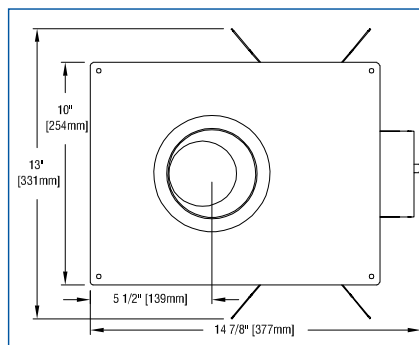
recessed lensed LED wallwasher

FULLY SUSTAINABLE – FULLY SUSTAINABLE – FULLY SUSTAINABLE – FULLY SUSTAINABLE – FULLY SUSTAINABLE – FULLY SUSTAINABLE – FULLY SUSTAINABLE



FEATURES

- **LED FTF WL/4 is a 4" aperture LED lensed wallwasher.** Luminaire is powered by an integral Philips Fortimo DLM Flex LED module with a CRI of 90. See tables below for wattages and efficacies. Luminaire may be ordered with one of a number of drivers.
- **Precise reflector design provides uniform illumination** on vertical surfaces up to the ceiling line and minimizes aperture brightness. The optical assembly consists of two internal reflectors and a 40° x 70° glass spread lens.
- **External reflectors are available in clear natural aluminum finishes** – semi-specular Alzak (C) or slightly diffuse (V) – as well as champagne gold and black. Other reflector finishes are available on special order.
- **Luminaire includes a pair of mounting bars** (3/4" x 27" C channel). Specialty bars for wood joist and T-bar installations are also available.
- **For more information, [click here](#).**



APPLICATIONS

Fixture is listed for Damp Location. Fixture is prewired with thermal protector and approved for ten #12 wire 90° branch circuit pull-through wiring. If specified with a "DMV-AD" driver fixture qualifies for the safety program prescribed by UL991 and CSA22.2, and does not require a thermal protector. Removal of the reflector allows access to the junction box.



MODIFICATIONS AVAILABLE

Contact factory with quantity for pricing; orders may require shop drawing approval.

- **+DOD:** luminaire suitable for **high humidity** environments; add +DOD to Product Code.
- **+MAR:** reflector suitable for **marine** environments; add +MAR to Product Code.

SPACING REQUIREMENT

The L30 model of this luminaire must be spaced 36" apart and 18" from walls, and must have 1/2" clearance above housing.

PRODUCT CODE

For complete product code, list basic unit and select one item from each following box.

Basic Unit..... LED-FTF-4WL

Driver
 dimmable to 1% by a 0-10V dimmer on 120 or 277-volt service ... - DMV-AD
 dimmable to 1% SoftOn/FadeToBlack by a Lutron EcoSystem control, on 120-volt or 277-volt service - ECO-LU
 dimmable to 1% by a 2-wire Lutron compatible dimmer, on 120-volt service only - DMH-LU
 eldoLED 0-10V (Logarithmic) driver dimmable to 0.1% with a 0-10V dimmer on 120 or 277-volt service..... - DVOELG
 eldoLED 0-10V (Linear) driver dimmable to 0.1% with a 0-10V dimmer on 120 or 277-volt service..... - DVOELN
 eldoLED drivers dimmable to 1% by a DALI control system - DALEL
 Moons' driver dimmable to 0.1% by DMX controllers..... - DXO-MN
 dimmable to 0.1% by a Zigbee wireless network (Daintree, Encelium or Wink); wireless range 50' through standard walls - ZGOMAG

Light Source Output
 1100 lumens 4000K not available..... - L11
 1500 lumens 4000K not available..... - L15
 2000 lumens 4000K not available - L20
 3000 lumens see SPACING..... - L30

Light Engine Color
 2700K (CRI 90)..... 27K
 3000K (CRI 90)..... 30K
 3500K (CRI 90)..... 35K
 4000K (CRI 90) not available on L11, L15 or L20 models..... 40K

Voltage
 120 volt service 120
 277 volt service..... 277

Reflector Color and Detail	Overlap Flange	Trim Flush*
Semi-specular Clear	COL	CTF
Slightly diffuse Clear	VOL	VTF
Champagne Gold.....	GOL	GTF
White.....	WOL	WTF

Other reflector finishes available on special order.
 Overlap Flange continues reflector finish. White painted flanges and custom painted flanges are available on special order. Add WF (white flange) or CCF (custom color flange).
 *Trim Flush reflector trim requires the use of a plaster ring Accessory (see below).
 ▶ Reflectors detailed for metal or wood ceilings available on special order.

OPTIONS Specify by adding to the basic unit.

Emergency battery pack; remote test switch mounted adjacent to luminaire; increases depth to 7 3/4", increases footprint length to 18 3/8"; 3" additional clearance needed to service pack through aperture - RM

ACCESSORIES Specify as a separate line item.

Plaster ring allows use of 4 7/8" OD Trim Flush (-TF) reflector in sheetrock ceiling; 5 3/16" dia hole required..... TF RING/4



PHOTOMETRIC REPORT (tested per IESNA LM-79-2008)

prorated from **LTL** Report No. 21290. Original Luminaire Testing Laboratories, Inc. (LTL) test reports furnished upon request.

Luminaire recessed LED round lensed wallwasher with aluminum reflector
 Lamp Philips LED Fortimo DLM 1100, 3000K CCT
 Lamp Life rated 50,000 hours based on L70/B50 criteria. LM80 report by LED manufacturer furnished upon request

WALLWASH INFORMATION

Distance From Ceiling (Feet)	2' 6" From Wall; 2' 6" O.C.		3' From Wall; 3' O.C.		3' 6" From Wall; 3' 6" O.C.	
	Below Fixture	Between Fixtures	Below Fixture	Between Fixtures	Below Fixture	Between Fixtures
1	54	43	36	26	25	17
2	46	45	35	33	27	25
3	32	32	27	27	22	22
4	21	21	19	19	17	17
5	14	14	14	14	13	13
6	10	10	10	10	10	10
7	7	7	7	7	7	7
8	5	5	5	5	6	5
9	4	4	4	4	4	4
10			3	3	3	3

COLOR MULTIPLIERS

Semi-specular Clear (C)	1
EvenTone (V)	.95
Champagne Gold (G)	.95
Black (B)	.49

All vertical footcandles are initial values with no contribution from walls, ceiling or floor reflectance. Computation performed with a total of five wallwashers.

LUMINAIRE LIGHT OUTPUT AND EFFICACY

LED Module Type	Luminaire Light Output	Luminaire Efficacy (lms/watt)	Luminaire Light Output	Luminaire Efficacy (lms/watt)	Luminaire Light Output	Luminaire Efficacy (lms/watt)	Luminaire Light Output	Luminaire Efficacy (lms/watt)	System Wattage	RX Light Output (90 min. run) 3000K
	2700K		3000K		3500K		4000K			
L11	582*	45*	606	47	624*	48*	-	-	13	309*
L15	782*	46*	812*	48*	836*	49*	-	-	17	309*
L20	1036*	43*	1079*	45*	1109*	46*	-	-	24	309*
L30	1570*	46*	1636*	48*	1679*	49*	1715*	50*	34	321*

*estimated values

LIGHT OUTPUT MULTIPLIERS

LED Light Engine	Light Output Multiplier				EM 3000K
	2700K	3000K	3500K	4000K	
L11	0.96*	1	1.03*	-	0.51*
L15	1.29*	1.34*	1.38*	-	0.51*
L20	1.71*	1.78*	1.83*	-	0.51*
L30	2.59*	2.7*	2.77*	2.83*	0.53*

*estimated values

DRIVER INFORMATION UL Class 2, dry and damp location

Voltage	120	277
Input Watts (1100/1500/2000/3000 lumens)	13/17/24/34	13/17/24/34
Input Current (A) (1100/1500/2000/3000 lumens)	.11/.14/.20/.28	.05/.06/.09/.12
Min. Power Factor	>0.95	>0.95
Operating Temperature Range (F)	-4 to 122	-4 to 122