

Project

Date

Product Code

Type

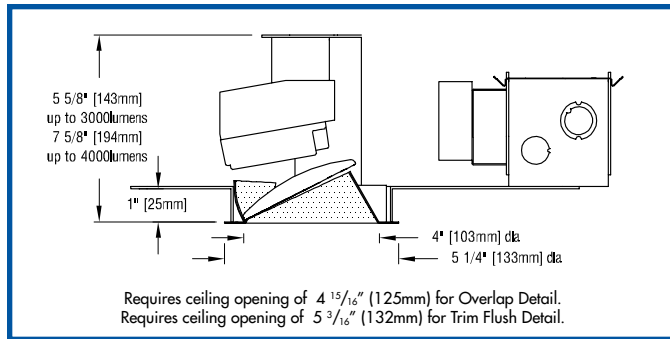
Designer



# LED FTF WL/4

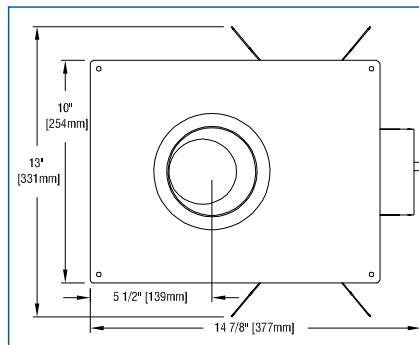
recessed lensed LED wallwasher

FULLY SUSTAINABLE – FULLY SUSTAINABLE – FULLY SUSTAINABLE – FULLY SUSTAINABLE – FULLY SUSTAINABLE – FULLY SUSTAINABLE – FULLY SUSTAINABLE



## FEATURES

- **LED FTF WL/4 is a 4" aperture LED lensed wallwasher.** Luminaire is powered by an integral Philips Fortimo DLM Flex LED module. See tables below for wattages and efficacies. Luminaire may be ordered with one of a number of drivers.
- **Precise reflector design provides uniform illumination** on vertical surfaces up to the ceiling line and minimizes aperture brightness. The optical assembly consists of two internal reflectors and a 40° x 70° glass spread lens.
- **External reflectors are available in clear natural aluminum finishes** – semi-specular Alzak (C) or slightly diffuse (V) – as well as champagne gold and black. Other reflector finishes are available on special order.
- **Luminaire includes a pair of mounting bars** (3/4" x 27" C channel). Specialty bars for wood joist and T-bar installations are also available.
- **For more information, [click here](#).**



## APPLICATIONS

Fixture is listed for Damp Location. Fixture is prewired with thermal protector and approved for ten #12 wire 90° branch circuit pull-through wiring. If specified with a "DMV-AD" driver fixture qualifies for the safety program prescribed by UL991 and CSA22.2, and does not require a thermal protector. Removal of the reflector allows access to the junction box.



**MODIFICATIONS AVAILABLE**  
Contact factory with quantity for pricing; orders may require shop drawing approval.  
+DOD: luminaire suitable for **high humidity** environments; add +DOD to Product Code.  
+MAR: reflector suitable for **marine** environments; add +MAR to Product Code.

**SPACING REQUIREMENT**  
The L30H and L40S models of this luminaire must be spaced 36" apart and 18" from walls and must have 1/2" clearance above housing.

For IC-rated, see [EPIC LED FTF WL/4](#)

## PRODUCT CODE

For complete product code, list basic unit and select one item from each following box.

| <b>Basic Unit</b> .....           | LED-FTF-4WL   |             |                |             |                           |           |     |                              |           |     |                     |           |     |            |           |     |
|-----------------------------------|---|-------------|----------------|-------------|---------------------------|-----------|-----|------------------------------|-----------|-----|---------------------|-----------|-----|------------|-----------|-----|
| <b>Driver</b>                     | dimmable to 1% by a 0-10V dimmer on 120 or 277-volt service ... - DMV-AD<br>dimmable to 1% SoftOn/FadeToBlack by a Lutron EcoSystem control, on 120-volt or 277-volt service ..... - ECO-LU<br>dimmable to 1% by a 2-wire Lutron compatible dimmer, on 120-volt service only ..... - DMH-LU<br>eldoLED 0-10V (Logarithmic) driver dimmable to 0.1% with a 0-10V dimmer on 120 or 277-volt service ..... - DVOELG<br>eldoLED 0-10V (Linear) driver dimmable to 0.1% with a 0-10V dimmer on 120 or 277-volt service ..... - DVOELN<br>eldoLED drivers dimmable to 0.1% by a DALI control system ..... - DAO-EL<br>Moons' driver dimmable to 0.1% by DMX controllers ..... - DXO-MN<br>dimmable to 0.1% by a Zigbee wireless network (Daintree, Encelium or Wink); wireless range 50' through standard walls ..... - ZGOMAG  |             |                |             |                           |           |     |                              |           |     |                     |           |     |            |           |     |
| <b>Light Source Output</b>        | 1100 lumens/CRI 90 ..... 4000K & 5000K not available .... - L11H<br>1500 lumens ..... 4000K & 5000K not available .... - L15H<br>2000 lumens ..... 4000K & 5000K not available .... - L20H<br>3000 lumens ..... see SPACING ..... 4000K & 5000K not available ..... - L30H<br>4000 lumens/CRI 80 ...see SPACING ..... 2700K not available..... - L40S   |             |                |             |                           |           |     |                              |           |     |                     |           |     |            |           |     |
| <b>Light Engine Color</b>         | 2700K ..... not available on L40S model..... 27K<br>3000K ..... 30K<br>3500K ..... 35K<br>4000K ..... not available on L11H, L15H, L20H & L30H models ..... 40K<br>5000K ..... not available on L11H, L15H, L20H & L30H models ..... 50K  |             |                |             |                           |           |     |                              |           |     |                     |           |     |            |           |     |
| <b>Voltage</b>                    | 120 volt service ..... - 120<br>277 volt service..... - 277   |             |                |             |                           |           |     |                              |           |     |                     |           |     |            |           |     |
| <b>Reflector Color and Detail</b> | <table border="1"> <thead> <tr> <th></th> <th>Overlap Flange</th> <th>Trim Flush*</th> </tr> </thead> <tbody> <tr> <td>Semi-specular Clear .....</td> <td>COL .....</td> <td>CTF</td> </tr> <tr> <td>Slightly diffuse Clear .....</td> <td>VOL .....</td> <td>VTF</td> </tr> <tr> <td>Champagne Gold.....</td> <td>GOL .....</td> <td>GTF</td> </tr> <tr> <td>White.....</td> <td>WOL .....</td> <td>WTF</td> </tr> </tbody> </table> <p>Other reflector finishes available on special order.<br/>         Overlap Flange continues reflector finish. White painted flanges and custom painted flanges are available on special order. Add WF (white flange) or CCF (custom color flange).<br/>         *Trim Flush reflector trim requires the use of a <b>plaster ring Accessory</b> (see below).<br/>         ▶ Reflectors detailed for metal or wood ceilings available on special order.</p> |             | Overlap Flange | Trim Flush* | Semi-specular Clear ..... | COL ..... | CTF | Slightly diffuse Clear ..... | VOL ..... | VTF | Champagne Gold..... | GOL ..... | GTF | White..... | WOL ..... | WTF |
|                                   | Overlap Flange  | Trim Flush* |                |             |                           |           |     |                              |           |     |                     |           |     |            |           |     |
| Semi-specular Clear .....         | COL .....   | CTF         |                |             |                           |           |     |                              |           |     |                     |           |     |            |           |     |
| Slightly diffuse Clear .....      | VOL .....   | VTF         |                |             |                           |           |     |                              |           |     |                     |           |     |            |           |     |
| Champagne Gold.....               | GOL .....   | GTF         |                |             |                           |           |     |                              |           |     |                     |           |     |            |           |     |
| White.....                        | WOL .....   | WTF         |                |             |                           |           |     |                              |           |     |                     |           |     |            |           |     |

## OPTIONS

Specify by adding to the basic unit.

**Emergency battery pack;** remote test switch mounted adjacent to luminaire; increases depth to 7 3/4"; increases footprint length to 18 3/8"; 3" additional clearance needed to service pack through aperture ..... - RM

## ACCESSORIES

Specify as a separate line item.

**Plaster ring** allows use of 4 7/8" OD Trim Flush (-TF) reflector in sheetrock ceiling; 5 3/16" dia hole required..... TF RING/4



## PHOTOMETRIC REPORT (tested per IESNA LM-79-2008)

prorated from **LTL** Report No. 21290. Original Luminaire Testing Laboratories, Inc. (LTL) test reports furnished upon request.

Luminaire ..... recessed LED round lensed wallwasher with aluminum reflector and 40° x 70° lens  
 Lamp ..... Philips LED Fortimo DLM 1100, 90 CRI, 3000K CCT  
 Lamp Life ..... rated 50,000 hours based on L70/B50 criteria. LM80 report by LED manufacturer furnished upon request

### WALLWASH INFORMATION

(Based on 1100 lumens 90 CRI 3000K LED)

| Distance From Ceiling (Feet) | 2' 6" From Wall; 2' 6" O.C. |                  | 3' From Wall; 3' O.C. |                  |
|------------------------------|-----------------------------|------------------|-----------------------|------------------|
|                              | Below Fixture               | Between Fixtures | Below Fixture         | Between Fixtures |
| 1                            | 16                          | 12               | 9                     | 7                |
| 2                            | 32                          | 29               | 21                    | 17               |
| 3                            | 27                          | 28               | 21                    | 21               |
| 4                            | 21                          | 21               | 17                    | 18               |
| 5                            | 15                          | 15               | 14                    | 14               |
| 6                            | 11                          | 11               | 11                    | 10               |
| 7                            | 8                           | 8                | 8                     | 8                |
| 8                            | 6                           | 6                | 6                     | 6                |
| 9                            | 5                           | 5                | 5                     | 5                |
| 10                           |                             |                  | 4                     | 4                |

This table lists initial illuminance values at the center of a row of at least 5 fixtures with no contribution from ceiling or floor reflectance.

### WALLWASH INFORMATION

(Based on 3000 lumens 90 CRI 3000K LED)

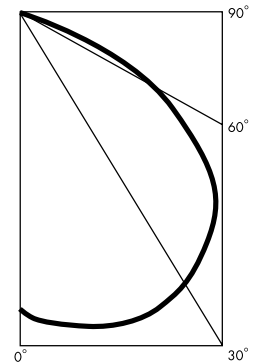
| Distance From Ceiling (Feet) | 3' 6" From Wall; 3' 6" O.C. |                  | 4' From Wall; 4' O.C. |                  |
|------------------------------|-----------------------------|------------------|-----------------------|------------------|
|                              | Below Fixture               | Between Fixtures | Below Fixture         | Between Fixtures |
| 1                            | 16                          | 12               | 10                    | 8                |
| 2                            | 36                          | 27               | 23                    | 17               |
| 3                            | 45                          | 42               | 34                    | 30               |
| 4                            | 39                          | 40               | 32                    | 33               |
| 5                            | 32                          | 33               | 28                    | 29               |
| 6                            | 26                          | 26               | 24                    | 24               |
| 7                            | 21                          | 21               | 20                    | 19               |
| 8                            | 17                          | 17               | 16                    | 16               |
| 9                            | 14                          | 13               | 13                    | 13               |
| 10                           | 11                          | 11               | 11                    | 11               |
| 11                           | 9                           | 9                | 9                     | 9                |
| 12                           |                             |                  | 8                     | 8                |

This table lists initial illuminance values at the center of a row of at least 5 fixtures with no contribution from ceiling or floor reflectance.

### LUMINAIRE LIGHT OUTPUT AND EFFICACY (Based on 3000K LED)

| LED Module Type | Luminaire Light Output | Luminaire Efficacy (lms/watt) | System Wattage | EM Light Output (90-minute run) |
|-----------------|------------------------|-------------------------------|----------------|---------------------------------|
| L11H            | 606                    | 47                            | 13             | 267*                            |
| L15H            | 812*                   | 48*                           | 17             | 267*                            |
| L20H            | 1085*                  | 45*                           | 24             | 267*                            |
| L30H            | 1654*                  | 47*                           | 35             | 285*                            |
| L40S            | 2121*                  | 57*                           | 37             | 297*                            |

\*estimated values



### DRIVER INFORMATION UL Class 2, dry and damp location

| Voltage  | 120                 | 277                 |
|--|---------------------|---------------------|
| Input Watts (L11H/L15H/L20H/L30H/L40S LED)       | 13/17/24/35/37      | 13/17/24/35/37      |
| Input Current (A) (L11H/L15H/L20H/L30H/L40S LED) | .11/.14/.20/.29/.31 | .05/.06/.09/.13/.13 |
| Min. Power Factor                                | >0.95               | >0.95               |
| Operating Temperature Range (F)                  | -4 to 122           | -4 to 122           |

### LIGHT OUTPUT MULTIPLIERS

(Based on 1100 lumens 90 CRI 3000K LED)

| LED Light Engine | Light Output Multiplier | EM Light Output Multiplier (90-minute run) |
|------------------|-------------------------|--|
| L11H             | 1                       | 0.44*                                      |
| L15H             | 1.34*                   | 0.44*                                      |
| L20H             | 1.79*                   | 0.44*                                      |
| L30H             | 2.73*                   | 0.47*                                      |
| L40S             | 3.5*                    | 0.49*                                      |

\*estimated values

### REFLECTOR COLOR MULTIPLIERS

|                         |     |
|-------------------------|-----|
| Semi-specular Clear (C) | 1   |
| EvenTone (V)            | .95 |
| Champagne Gold (G)      | .95 |
| Black (B)               | .49 |

### COLOR TEMPERATURE MULTIPLIER

|       |      |
|-------|------|
| 2700K | 0.96 |
| 3000K | 1    |
| 3500K | 1.03 |
| 4000K | 1.05 |
| 5000K | 1.06 |