

Project

Type



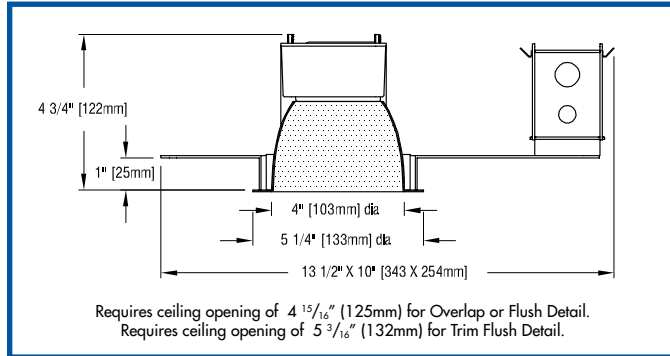
Date Product Code

Designer

VALUE DL/4

recessed LED downlight

MOST AFFORDABLE - MOST AFFORDABLE - MOST AFFORDABLE - MOST AFFORDABLE - MOST AFFORDABLE



FEATURES

- **VALUE DL/4 is a 4" aperture LED downlight.** Luminaire is powered by a Philips Fortimo DLM 'EaseSelect' driver-embedded LED module. Module produces 3000K or 3500K white light at a CRI of 80 and may be dimmed to 1% by a 0-10V dimmer. See tables below for wattages and efficacies.
- **Precise reflector design minimizes aperture brightness** and provides a shielding angle of 40°.
- **Luminaire includes an integral plastic shield,** making the fixture suitable for food service areas and other applications requiring protection from lamp failure.
- **External reflectors are available in clear natural aluminum finishes** – semi-specular Alzak (C) or slightly diffuse (V) – as well as champagne gold and white. Other reflector finishes are available on special order.
- **Luminaire includes a pair of mounting bars** (3/4" x 27" C channel). Specialty bars for wood joist and T-bar installations are also available.
- **For more information, [click here.](#)**

APPLICATIONS

Luminaire is listed for Damp Location, qualifies for the safety program prescribed by UL991 and CSA22.2, and does not require a thermal protector. Luminaire is RoHA compliant and is suitable for 120-volt or 277-volt electrical service. Removal of the reflector allows access to the LED module and junction box.



MODIFICATIONS AVAILABLE
 Contact factory with quantity for pricing; orders may require shop drawing approval.

+DOD: luminaire suitable for **high humidity** environments; add +DOD to Product Code.

+MAR: reflector suitable for **marine** environments; add +MAR to Product Code.

PRODUCT CODE

For complete product code, list basic unit and select one item from each following box.

Basic Unit.....	LED-FES-4DL
Light Source Output	
1100 lumens	L11
1500 lumens.....	L15
2000 lumens	L20
Light Engine Color	
3000K (CRI 80).....	30K
3500K (CRI 80).....	35K
Driver:	
LED and driver are integral: luminaire dims to 1% by means of a 0-10V dimmer only.	

Reflector Color and Detail	Overlap Flange	Trim Flush*
Semi-specular Clear	COL	CTF
Slightly diffuse Clear	VOL	VTF
Champagne Gold.....	GOL	GTF
White.....	WOL	WTF
Other reflector finishes available on special order.		
Overlap Flange continues reflector finish. White painted flanges and custom painted flanges are available on special order. Add WF (white flange) or CCF (custom color flange).		
*Trim Flush reflector trim requires the use of a plaster ring Accessory (see below).		
▶ Reflectors detailed for metal or wood ceilings available on special order.		

ACCESSORIES

Specify as a separate line item.

Plaster ring allows use of 4 7/8" OD Trim Flush (-TF) reflector in sheetrock ceiling; 5 3/16" dia hole required TF RING/4

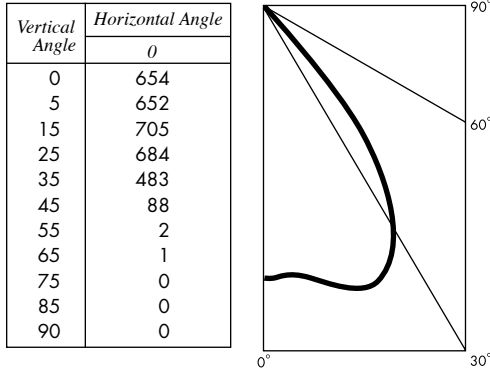


PHOTOMETRIC REPORT (tested per IESNA LM-79-2008)

Prorated from (LTL) Report No. 21230 and 21293. Original Luminaire Testing Laboratories, Inc. (LTL) test reports furnished upon request.

Luminaire recessed LED round downlight with aluminum reflector
 Lamp Philips LED Fortimo DLM ES 1100, 3000K CCT
 Lamp Life rated 50,000 hours based on L70/B50 criteria. LM80 report by LED manufacturer furnished upon request
 Spacing Criteria 1.1
 Luminaire light output..... 948 lumens

CANDLEPOWER DISTRIBUTION (Candela)



LUMINAIRE LIGHT OUTPUT AND EFFICACY

LED Module type	Luminaire Light Output	Luminaire Efficacy (lms/watt)	System Wattage
1100 Lumens 80 CRI (L11S)	948	86	11
1500 Lumens 80 CRI (L15S)	1280*	85*	15
2000 Lumens 80 CRI (L20S)	1555*	78*	20

*estimated values

ZONAL LUMEN SUMMARY

Zone	Lumens	% Fixture
0 - 30°	574	60.6
0 - 40°	866	91.4
0 - 60°	947	99.9
0 - 90°	948	100.0
90 -180°	0	0.0
0 -180°	948	100.0

LUMINANCE DATA

Vertical Angle	Candelalm ²
45	14590
55	337
65	174
75	90
85	237

DRIVER INFORMATION *UL Class 2, dry and damp location*

Voltage	120	277
Input Watts (1100/1500/2000 lumens, 3000K)	11/15/20	11/15/20
Input Current (A) (1100/1500/2000 lumens, 3000K)	.09/.09/.17	.04/.04/.08
Min. Power Factor	>0.90	>0.90
Operating Temperature Range (F)	-4 to149	-4 to149

LIGHT OUTPUT MULTIPLIERS

	1100 lumens light output	1500 lumens light output	2000 lumens light output
Standard driver	1	1.35*	1.64*

COLOR MULTIPLIERS

Semi-specular Clear (C)	1
Slightly diffuse Clear (V)	.95
Champagne Gold (G)	.95

*estimated values