

Project

Date

Product Code

Type

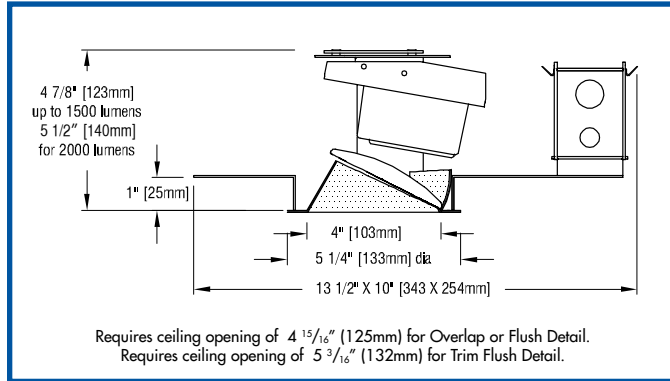
Designer



# ValueSpec WL/4

recessed lensed LED wallwasher

**MOST AFFORDABLE - MOST AFFORDABLE - MOST AFFORDABLE - MOST AFFORDABLE - MOST AFFORDABLE**



## FEATURES

- **ValueSpec WL/4 is a 4" aperture LED lensed wallwasher.** Luminaire is powered by a Philips Fortimo DLM 'EaseSelect' driver-embedded LED module. Module produces 3000K or 3500K white light at a CRI of 80 and may be dimmed to 1% by a 0-10V dimmer. See tables below for wattages and efficacies.
- **Precise reflector design provides uniform illumination** on vertical surfaces up to the ceiling line and minimizes aperture brightness. The optical assembly consists of two internal reflectors and a 40° x 70° glass spread lens.
- **External reflectors are available in clear natural aluminum finishes** – semi-specular Alzak (C) or slightly diffuse (V) – as well as champagne gold and white. Other reflector finishes are available on special order.
- **Housing is constructed from 14-gauge and 16-gauge electro-zinc steel** in Edison Price Lighting's American factory. Heavy-gauge metals and American manufacturing guarantee long-lasting durability.
- **Luminaire includes a pair of mounting bars** (3/4" x 27" C channel). Specialty bars for wood joist and T-bar installations are also available.
- **For more information, [click here](#).**

## APPLICATIONS

Luminaire is listed for Damp Location, qualifies for the safety program prescribed by UL991 and CSA22.2, and does not require a thermal protector. Luminaire is RoHA compliant and is suitable for 120-volt or 277-volt electrical service. Removal of the reflector allows access to the LED module and junction box.



### MODIFICATIONS AVAILABLE

Contact factory with quantity for pricing; orders may require shop drawing approval.

**+DOD:** luminaire suitable for **high humidity** environments; add +DOD to Product Code.

**+MAR:** reflector suitable for **marine** environments; add +MAR to Product Code.

## PRODUCT CODE

For complete product code, list basic unit and select one item from each following box.

**Basic Unit** .....LED-FES-4WL

### Light Source Output

1100 lumens ..... L11  
1500 lumens ..... L15  
2000 lumens ..... note: 5 1/2" depth ..... L20

### Light Engine Color

3000K (CRI 80) ..... 30K  
3500K (CRI 80) ..... 35K  
4000K (CRI 80) ..... 40K

### Driver:

LED and driver are integral: luminaire dims to 1% by means of a 0-10V dimmer only.

### Reflector Color and Detail

*Overlap Flange*

*Trim Flush\**

Semi-specular Clear .....	COL	CTF
Slightly diffuse Clear .....	VOL	VTF
Champagne Gold .....	GOL	GTF
White .....	WOL	WTF

Other reflector finishes available on special order.

Overlap Flange continues reflector finish. White painted flanges and custom painted flanges are available on special order. Add WF (white flange) or CCF (custom color flange).

\*Trim Flush reflector trim requires the use of a **plaster ring** Accessory (see below).

▶ Reflectors detailed for metal or wood ceilings available on special order.

## ACCESSORIES *Specify as a separate line item.*

**Plaster ring** allows use of 4 7/8" OD Trim Flush (-TF) reflector in sheetrock ceiling; 5 3/16" dia hole required..... TF RING/4



## PHOTOMETRIC REPORT (tested per IESNA LM-79-2008)

Prorated from **LTL** Report No. 21290 and 21227. Original Luminaire Testing Laboratories, Inc. (LTL) test report furnished upon request.

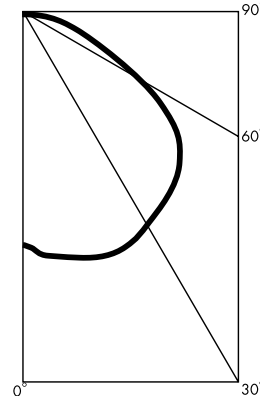
Luminaire ..... recessed LED round lensed wallwasher with aluminum reflector  
 Lamp ..... Philips LED Fortimo DLM ES 1100, 3000K CCT  
 Lamp Life ..... rated 50,000 hours based on L70/B50 criteria. LM80 report by LED manufacturer furnished upon request

### WALLWASH INFORMATION

Distance From Ceiling (Feet)	2' 6" From Wall; 2' 6" O.C.		3' From Wall; 3' O.C.		3' 6" From Wall; 3' 6" O.C.	
	Below Fixture	Between Fixtures	Below Fixture	Between Fixtures	Below Fixture	Between Fixtures
1	16	12	9	7	6	5
2	31	28	20	16	13	10
3	26	26	20	20	16	15
4	19	19	16	17	14	14
5	14	14	13	13	12	12
6	11	11	10	10	9	9
7	8	8	8	8	7	7
8	6	6	6	6	6	6
9	5	5	5	5	5	5
10			4	4	4	4

All vertical footcandles are initial values with no contribution from ceiling or floor reflectances. Computation performed with a total of ten wallwashers.

### CANDLEPOWER DISTRIBUTION



### LUMINAIRE LIGHT OUTPUT AND EFFICACY

LED Module type	Luminaire Light Output	Luminaire Efficacy (lms/watt)	System Wattage
1100 Lumens 80 CRI (L11S)	572	52	11
1500 Lumens 80 CRI (L15S)	772*	51*	15
2000 Lumens 80 CRI (L20S)	938*	47*	20

\*estimated values

### COLOR MULTIPLIERS

Semi-specular Clear (C)	1
Slightly diffuse Clear (V)	.99
Champagne Gold (G)	.99

### DRIVER INFORMATION UL Class 2, dry and damp location

Voltage	120	277
Input Watts (1100/1500/2000 lumens, 3000K LED)	11/15/20	11/15/20
Input Current (A)	.09/.09/.17	.04/.04/.08
Min. Power Factor	>0.90	>0.90
Operating Temperature Range (F)	-4 to 149	-4 to 149

### LIGHT OUTPUT MULTIPLIERS

	1100 lumens light output	1500 lumens light output	2000 lumens light output
Standard driver	1	1.35*	1.64*

\*estimated values