

LED FTF DL/5 7DAY

recessed **quick ship** LED downlight



FULLY SUSTAINABLE - FULLY SUSTAINABLE - FULLY SUSTAINABLE - FULLY SUSTAINABLE - FULLY SUSTAINABLE - FULLY SUSTAINABLE - FULLY SUSTAINABLE

FEATURES

- LED FTF DL/5 7DAY is a Quick Ship 5" aperture LED downlight.
- Luminaire is powered by an integral Philips Fortimo DLM remote phosphor LED module, dimmable to 1% with a 0-10 volt dimmer, with a CRI of 90+. See tables below for system wattages and luminaire efficacies.
- Precise reflector design yields an optical efficiency of 90%, minimizes aperture brightness and provides a shielding angle of 40°.
- Luminaire includes an integral plastic shield, making the fixture suitable for food service areas and other applications requiring protection from lamp failure.
- External reflector is available in two clear natural aluminum finishes – semi-specular Alzak (C) or slightly diffuse (V) – as well as white.
- Luminaire includes a pair of mounting bars (3/4" x 27" C channel). Specialty bars for wood joist and T-bar installations are also available.
- For more information, [click here](#).

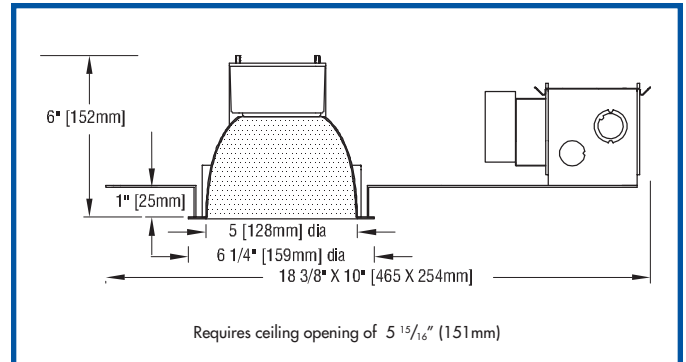
APPLICATIONS

Fixture is listed for Damp Location. Fixture is prewired and approved for ten #12 wire 90° branch circuit pull-through wiring. All fixtures are RoHS compliant. Removal of the reflector allows access to the junction box.



7DAY

For orders of 50 or fewer fixtures, housings will ship within seven business days. For larger quantities, [contact us](#).



PRODUCT CODE

For complete product code, list basic unit and select one item from each following box.

Basic Unit.....	LED-FTF-5DL-7DAY
Driver dimmable to 1% by a 0-10V dimmer on 120v or 277v service.....	DMV-AD
Light Source Output	
1100 lumens	L11
1500 lumens.....	L15
2000 lumens	L20
3000 lumens	L30
Light Engine Color	
3000K (CRI 90+).....	30K
3500K (CRI 90+).....	35K
Reflector Color and Detail	<i>Overlap Flange</i>
Semi-specular Clear	COL
Slightly diffuse Clear	VOL
White.....	WOL
White painted flanges are available; add WF (white flange).	

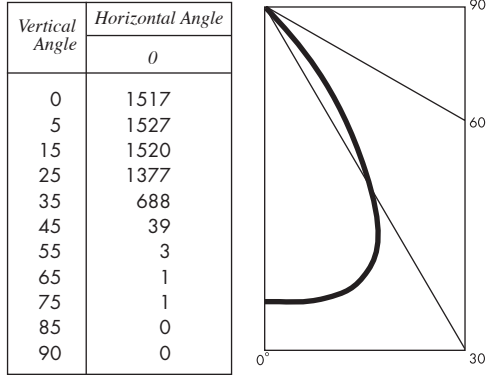


PHOTOMETRIC REPORT (tested per IESNA LM-79-2008)

prorated from (LTL) Report No. 21291. Original Luminaire Testing Laboratories, Inc. (LTL) test reports furnished upon request.

Luminaire recessed LED round downlight with aluminum reflector
 Lamp Philips LED Fortimo DLM 2000, 3000K CCT
 Lamp Life rated 50,000 hours based on L70/B50 criteria. LM80 report by LED manufacturer furnished upon request
 Spacing Criteria 1.12

CANDLEPOWER DISTRIBUTION (Candela)



DRIVER INFORMATION *UL Class 2, dry and damp location*

Voltage	120	277
Input Watts (1100/1500/2000/3000 lumens)	13/17/24/34	13/17/24/34
Input Current (A) (1100/1500/2000/3000 lumens)	.11/.14/.20/.28	.05/.06/.09/.12
Min. Power Factor	>0.95	>0.95
Operating Temperature Range (F)	-4 to 122	-4 to 122

ZONAL LUMEN SUMMARY

Zone	Lumens	% Fixture
0 - 30°	1193	70.8
0 - 40°	1617	96.0
0 - 60°	1682	99.9
0 - 90°	1684	100.0
90 -180°	0	0.0
0 -180°	1684	100.0

LIGHT OUTPUT MULTIPLIERS (based on 2000 lumens LED)

LED Light Engine	Light Output Multiplier				EM 3000K
	2700K	3000K	3500K	4000K	
L11	0.57	0.59	0.61	-	0.29
L15	0.76	0.79	0.82	-	0.29
L20	0.96	1	1.03	-	0.29
L30	1.45	1.51	1.56	1.59	0.3

LUMINANCE DATA

Vertical Angle	Candelam ²
45	4289
55	441
65	199
75	326
85	0

COLOR MULTIPLIERS

Semi-specular Clear (C)	1.0
EvenTone (V)	.95
Champagne Gold (G)	.95
Black (B)	.49

LUMINAIRE LIGHT OUTPUT AND EFFICACY

LED Module Type	Luminaire Light Output	Luminaire Efficacy (lms/watt)	Luminaire Light Output	Luminaire Efficacy (lms/watt)	Luminaire Light Output	Luminaire Efficacy (lms/watt)	Luminaire Light Output	Luminaire Efficacy (lms/watt)	System Wattage	RX Light Output (90 min. run) 3000K
	2700K		3000K		3500K		4000K			
L11	960*	73*	994*	76	1027*	79*	-	-	13	488*
L15	1280*	75*	1330*	78*	1381*	81*	-	-	17	488*
L20	1617*	67*	1684*	70*	1735*	72*	-	-	24	488*
L30	2442*	72*	2543*	75*	2627*	77*	2678*	79*	34	505*

*estimated values