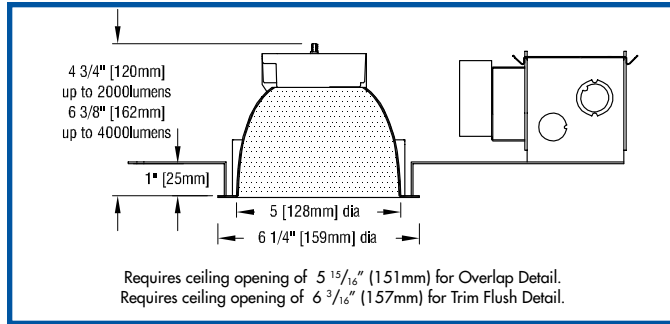


LED FTF DL/5

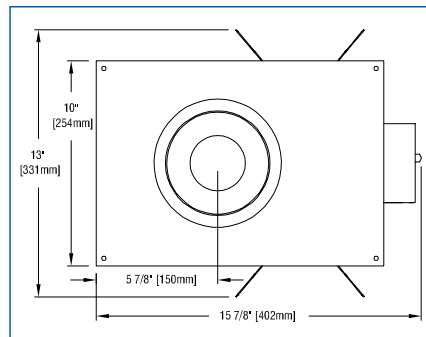
recessed LED downlight

COMPETITIVELY PRICED - COMPETITIVELY PRICED - COMPETITIVELY PRICED - COMPETITIVELY PRICED





FEATURES

- **LED FTF DL/5 is a 5" aperture LED downlight.** Luminaire is powered by an integral Philips Fortimo DLM Flex LED module with a CRI of 90. See tables below for wattages and efficacies. Luminaire may be ordered with one of a number of drivers.
- **Precise reflector design minimizes aperture brightness** and provides a shielding angle of 40°.
- **Luminaire includes an integral plastic shield**, making the fixture suitable for food service areas and other applications requiring protection from lamp failure.
- **External reflectors are available in clear natural aluminum finishes** – semi-specular Alzak (C) or slightly diffuse (V) – as well as champagne gold and black. Other reflector finishes are available on special order.
- **Luminaire includes a pair of mounting bars** (3/4" x 27" C channel). Specialty bars for wood joist and T-bar installations are also available.
- **For more information, [click here](#).**



APPLICATIONS

Fixture is  listed for Damp Location. Fixture is prewired with thermal protector and approved for ten #12 wire 90° branch circuit pull-through wiring. If specified with a "DMV-AD" driver fixture qualifies for the  safety program prescribed by UL991 and CSA22.2, and does not require a thermal protector. Removal of the reflector allows access to the junction box.



MODIFICATIONS AVAILABLE

Contact factory with quantity for pricing; orders may require shop drawing approval.

- **+DOD:** luminaire suitable for **high humidity** environments; add +DOD to Product Code.
- **+MAR:** reflector suitable for **marine** environments; add +MAR to Product Code.

SPACING REQUIREMENT

The **L30 and L40** models of this luminaire must be spaced 36" apart and 18" from walls, and must have 1/2" clearance above housing.

PRODUCT CODE

For complete product code, list basic unit and select one item from each following box.

Basic Unit	LED-FTF-5DL															
Driver	<p>dimmmable to 1% by a 0-10V dimmer on 120 or 277-volt service ... - DMV-AD</p> <p>dimmmable to 1% SoftOn/FadeToBlack by a Lutron EcoSystem control, on 120-volt or 277-volt service ECO-LU</p> <p>dimmmable to 1% by a 2-wire Lutron compatible dimmer, on 120-volt service only DMI-LU</p> <p>eldoLED 0-10V (Logarithmic) driver dimmmable to 0.1% with a 0-10V dimmer on 120 or 277-volt service DVOELG</p> <p>eldoLED 0-10V (Linear) driver dimmmable to 0.1% with a 0-10V dimmer on 120 or 277-volt service DVOELN</p> <p>eldoLED drivers dimmmable to 1% by a DALI control system DAL-EL</p> <p>Moons' driver dimmmable to 0.1% by DMX controllers DXO-MN</p> <p>dimmmable to 0.1% by a Zigbee wireless network (Daintree, Encelium or Wink); wireless range 50' through standard walls ZGOMAG</p>															
Light Source Output	<p>1100 lumens 4000K not available L11</p> <p>1500 lumens 4000K not available L15</p> <p>2000 lumens 4000K not available L20</p> <p>3000 lumens see SPACING L30</p> <p>4000 lumens see SPACING L40</p> <p>Note: 1 1/2" clearance above L40 model required for service.</p>															
Light Engine Color	<p>2700K (CRI 90) 27K</p> <p>3000K (CRI 90) 30K</p> <p>3500K (CRI 90) 35K</p> <p>4000K (CRI 90) not available on L11, L15 or L20 models 40K</p>															
Reflector Color and Detail	<table border="1"> <thead> <tr> <th></th> <th>Overlap Flange</th> <th>Trim Flush*</th> </tr> </thead> <tbody> <tr> <td>Semi-specular Clear</td> <td>COL</td> <td>CTF</td> </tr> <tr> <td>Slightly diffuse Clear</td> <td>VOL</td> <td>VTF</td> </tr> <tr> <td>Champagne Gold</td> <td>GOL</td> <td>GTF</td> </tr> <tr> <td>White</td> <td>WOL</td> <td>WTF</td> </tr> </tbody> </table> <p>Other reflector finishes available on special order. Overlap Flange continues reflector finish. White painted flanges and custom painted flanges are available on special order. Add WF (white flange) or CCF (custom color flange). *Trim Flush reflector trim requires the use of a plaster ring Accessory (see below). ▶ Reflectors detailed for metal or wood ceilings available on special order.</p>		Overlap Flange	Trim Flush*	Semi-specular Clear	COL	CTF	Slightly diffuse Clear	VOL	VTF	Champagne Gold	GOL	GTF	White	WOL	WTF
	Overlap Flange	Trim Flush*														
Semi-specular Clear	COL	CTF														
Slightly diffuse Clear	VOL	VTF														
Champagne Gold	GOL	GTF														
White	WOL	WTF														
Voltage	<p>120 volt service 120</p> <p>277 volt service 277</p>															

OPTIONS

Specify by adding to the basic unit.

Emergency battery pack; increases depth to 8", increases footprint length to 19 5/8" and 3" additional clearance needed to service pack through aperture - EM

ACCESSORIES

Specify as a separate line item.

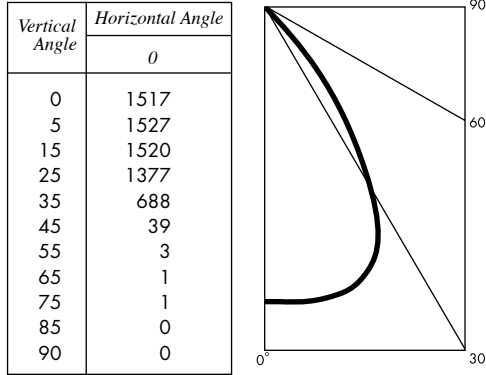
Plaster ring allows use of 5 7/8" OD Trim Flush (-TF) reflector in sheetrock ceiling; 6 3/16" dia hole required TF RING/5

PHOTOMETRIC REPORT (tested per IESNA LM-79-2008)

prorated from (LTL) Report No. 21291. Original Luminaire Testing Laboratories, Inc. (LTL) test reports furnished upon request.

Luminaire recessed LED round downlight with aluminum reflector
 Lamp Philips LED Fortimo DLM 2000, 3000K CCT
 Lamp Life rated 50,000 hours based on L70/B50 criteria. LM80 report by LED manufacturer furnished upon request
 Spacing Criteria 1.12

CANDLEPOWER DISTRIBUTION (Candela)



DRIVER INFORMATION UL Class 2, dry and damp location

	120	277
Voltage	120	277
Input Watts (1100/1500/2000/3000/4000 lumens)	13/17/24/34/46	13/17/24/34/46
Input Current (A) (1100/1500/2000/3000/4000 lumens)	.11/.14/.20/.28/.38	.05/.06/.09/.12/.17
Min. Power Factor	>0.95	>0.95
Operating Temperature Range (F)	-4 to 122	-4 to 122

ZONAL LUMEN SUMMARY

Zone	Lumens	% Fixture
0 - 30°	1193	70.8
0 - 40°	1617	96.0
0 - 60°	1682	99.9
0 - 90°	1684	100.0
90 -180°	0	0.0
0 -180°	1684	100.0

LIGHT OUTPUT MULTIPLIERS (based on 2000 lumens LED)

LED Light Engine	Light Output Multiplier				EM 3000K
	2700K	3000K	3500K	4000K	
L11	0.57	0.59	0.61	-	0.29
L15	0.76	0.79	0.82	-	0.29
L20	0.96	1	1.03	-	0.29
L30	1.45	1.51	1.56	1.59	0.3
L40	1.93	2	2.06	2.11	0.3

LUMINANCE DATA

Vertical Angle	Candelam ²
45	4289
55	441
65	199
75	326
85	0

COLOR MULTIPLIERS

Semi-specular Clear (C)	1.0
EvenTone (V)	.95
Champagne Gold (G)	.95
Black (B)	.49

LUMINAIRE LIGHT OUTPUT AND EFFICACY

LED Module Type	Luminaire Light Output	Luminaire Efficacy (lms/watt)	Luminaire Light Output	Luminaire Efficacy (lms/watt)	Luminaire Light Output	Luminaire Efficacy (lms/watt)	Luminaire Light Output	Luminaire Efficacy (lms/watt)	System Wattage	RX Light Output (90 min. run) 3000K
	2700K		3000K		3500K		4000K			
L11	960*	73*	994*	76	1027*	79*	-	-	13	488*
L15	1280*	75*	1330*	78*	1381*	81*	-	-	17	488*
L20	1617*	67*	1684*	70*	1735*	72*	-	-	24	488*
L30	2442*	72*	2543*	75*	2627*	77*	2678*	79*	34	505*
L40	3250*	71*	3368*	73*	3469*	75*	3553*	77*	46	505*

*estimated values