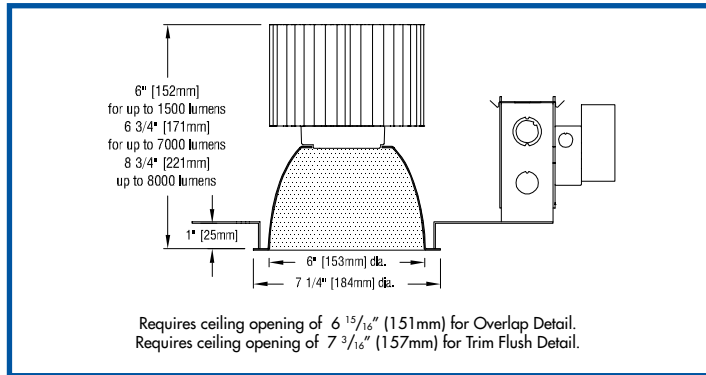


# LED FTF DL/6

recessed LED downlight

COMPETITIVELY PRICED - EPL QUALITY - COMPETITIVELY PRICED - EPL QUALITY - COMPETITIVELY PRICED - EPL QUALITY



## PRODUCT CODE

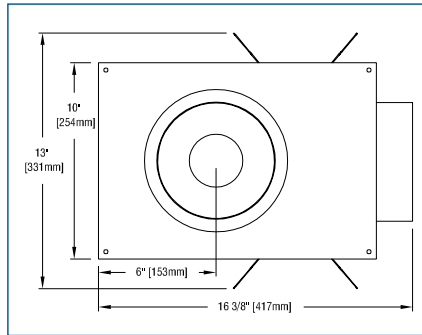
For complete product code, list basic unit and select one item from each following box.

Basic Unit ..... LED-FTF-6DL

**Driver**  
 dimmable to 1% by a 0-10V dimmer on 120 or 277-volt service ..... - DMV-AD  
 dimmable to 1% SoftOn/FadeToBlack by a Lutron EcoSystem control, on 120-volt or 277-volt service; not available throughout; see Output box..... - ECO-LU  
 dimmable to 1% by a 2-wire Lutron compatible dimmer, on 120-volt service only; not available throughout; see Output box below ..... - DM-LU  
 eldoLED 0-10V (Logarithmic) driver dimmable to 0.1% with a 0-10V dimmer on 120 or 277-volt service ..... - DVO-ELG  
 eldoLED 0-10V (Linear) driver dimmable to 0.1% with a 0-10V dimmer on 120 or 277-volt service ..... - DVO-ELN  
 eldoLED drivers dimmable to 0.1% by a DALI control system ..... - DA0-EL  
 Moons' driver dimmable to 0.1% by DMX controllers; not available throughout; see Output box below ..... - DX0-MN  
 dimmable to 0.1% by a Zigbee wireless network (Daintree, Encelium or Wink); wireless range 50' through standard walls; not available throughout; see Output box below ..... - ZG0-MAG

## FEATURES

- **LED FTF DL/6 is a 6" aperture LED downlight.** Luminaire is powered by an integral Philips Fortimo DLM Flex LED module. See tables below for wattages and efficacies. Luminaire may be ordered with one of a number of drivers.
- **Precise reflector design minimizes aperture brightness** and provides a shielding angle of 40°.
- **Luminaire includes an integral plastic shield**, making the fixture suitable for food service areas and other applications requiring protection from lamp failure.
- **External reflectors are available in clear natural aluminum finishes** – semi-specular Alzak (C) or slightly diffuse (V) – as well as champagne gold and black. Other reflector finishes are available on special order.
- **Housing is constructed from 14-gauge and 16-gauge electro-zinc steel** in Edison Price Lighting's American factory. Heavy-gauge metals and American manufacturing guarantee long-lasting durability.
- **Luminaire includes a pair of mounting bars** (3/4" x 27" C channel). Specialty bars for wood joist and T-bar installations are also available.
- **For more information, click here.**



**Light Source Output**

1100 lumens / CRI 90	- L11H
1500 lumens	- L15H
2000 lumens	- L20H
3000 lumens	- L30H
1100 lumens / CRI 80	- L11S
1500 lumens	- L15S
2000 lumens	- L20S
3000 lumens	- L30S
4000 lumens	- L40S
5000 lumens	- L50S
6000 lumens	- L60S
7000 lumens	- L70S
8000 lumens	- L80S

**Light Engine Color**

2700K: available for L11H, L15H, L20H & L30H only	- 27K
3000K: available for L11H, L15H, L20H, L30H, L40S, L50S, L60S, L70S & L80S only	- 30K
3500K: available for L11H, L15H, L20H, L30H, L40S, L50S, L60S, L70S & L80S only	- 35K
4000K: available for L11S, L15S, L20S, L30S, L40S, L50S, L60S, L70S & L80S only	- 40K
5000K: available for L40S, L50S, L60S, L70S & L80S only	- 50K

**Reflector Color and Detail**

	Overlap Flange	Trim Flush*
Semi-specular Clear	COL	CTF
Slightly diffuse Clear	VOL	VTF
Champagne Gold	GOL	GTF
White	WOL	WTF

Other reflector finishes available on special order.  
 Overlap Flange continues reflector finish. White painted flanges and custom painted flanges are available on special order. Add WF (white flange) or CCF (custom color flange).  
 \*Trim Flush reflector trim requires the use of a **plaster ring** Accessory (see below).  
 ▶ Reflectors detailed for metal or wood ceilings available on special order.



**Voltage**

120 volt service	- 120
277 volt service	- 277

## OPTIONS Specify by adding to the basic unit.

**Remote emergency battery pack** including two components – battery pack and plate with test switch and light – to be mounted adjacent to luminaire; for use in accessible ceilings ..... - RX

## APPLICATIONS

Fixture is  listed for Damp Location. Fixture is prewired with thermal protector and approved for ten #12 wire 90° branch circuit pull-through wiring. If specified with a "DMV-AD" driver fixture qualifies for the  safety program prescribed by UL991 and CSA22.2, and does not require a thermal protector. Removal of the reflector allows access to the junction box.



**MODIFICATIONS AVAILABLE**  
 Contact factory with quantity for pricing; orders may require shop drawing approval.  
**+DOD:** luminaire suitable for **high humidity** environments; add +DOD to Product Code.  
**+MAR:** reflector suitable for **marine** environments; add +MAR to Product Code.

**SPACING REQUIREMENT**  
 The L30H, L30S, L40S, L70S and L80S models of this luminaire must be spaced 36" apart and 18" from walls and must have 1/2" clearance above housing.

## ACCESSORIES Specify as a separate line item.

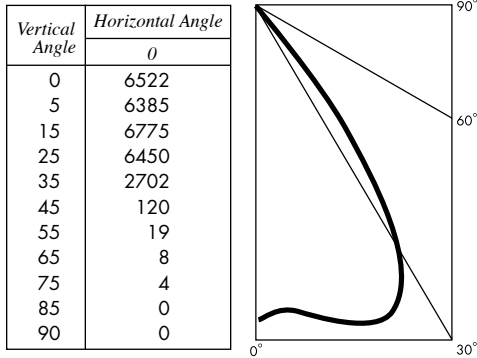
**Plaster ring** allows use of 6 7/8" OD Trim Flush (-TF) reflector in sheetrock ceiling; 7 3/16" dia hole required ..... TF RING/6

## PHOTOMETRIC REPORT (tested per IESNA LM-79-2008)

Leading Testing Laboratories Report No. UT19060008-01. Original test report furnished upon request.

Luminaire ..... recessed LED round downlight with aluminum reflector  
 Lamp ..... Philips Fortimo DLM 8000 lumens, 80 CRI, 3000K CCT  
 Lamp Life ..... rated 50,000 hours based on L70/B50 criteria. LM80 report by LED manufacturer furnished upon request.  
 Spacing Criteria ..... 1.14

### CANDLEPOWER DISTRIBUTION



### REFLECTOR COLOR MULTIPLIERS

Semi-specular Clear (C)	1
Slightly diffuse clear (V)	.95
Champagne Gold (G)	.95
Black (B)	.49

### LUMINANCE DATA

Vertical Angle	Candelam <sup>2</sup>
45	53708
55	10484
65	5991
75	4891
85	0

### COLOR TEMPERATURE MULTIPLIER

2700K	0.96
3000K	1
3500K	1.03
4000K	1.05
5000K	1.06

### ZONAL LUMEN SUMMARY

Zone	Lumens	% Fixture
0 - 30°	5396	73.8
0 - 40°	7088	96.9
0 - 60°	7303	99.8
0 - 90°	7314	100.0
90 - 180°	0.0	0.0
0 - 180°	7314	100.0

### DRIVER INFORMATION *UL Class 2, dry and damp location*

Voltage	120	277
Input Watts (L11H/L11S/L15H/L15S/L20H/L20S/L30H/L30S/L40S/L50S/L60S/L70S/L80S LED)	13/12/17/15/24/21/35/34/37/48/58/72/82	13/12/17/15/24/21/35/34/37/48/58/72/82
Input Current (A) (L11H/L11S/L15H/L15S/L20H/L20S/L30H/L30S/L40S/L50S/L60S/L70S/L80S LED)	.11/.10/.14/.13/.20/.18/.29/.28/.31/.40/.48/.60/.68	.05/.04/.06/.05/.09/.08/.13/.12/.13/.17/.21/.26/.30
Min. Power Factor	>0.95	>0.95
Operating Temperature Range (F)	-4 to 122	-4 to 122

### LUMINAIRE LIGHT OUTPUT AND EFFICACY *(Based 8000 lumens 80 CRI 3000K LED)*

LED Module Type	Luminaire Light Output	Luminaire Efficacy (lms/watt)	System Wattage	EM Light Output (90-minute run)
L11H/11S	1097*	84*/91*	13/12	439*
L15H/15S	1463*	86*/98*	17/15	439*
L20H/20S	1975*	82*/94*	24/21	439*
L30H/30S	2999*	86*/88*	35/34	439*
L40S	3876*	105*	37	512*
L50S	4754* *	99*	48	1024*
L60S	5632*	97*	58	1024*
L70S	6509*	90*	72	1024*
L80S	7314	89	82	1024*

\*estimated values

### LIGHT OUTPUT MULTIPLIERS *(Based 8000 lumens 80 CRI 3000K LED)*

LED Light Engine	Light Output Multiplier	EM Light Output Multiplier (90-minute run)
L11H/11S	0.15*	0.06*
L15H/15S	0.20*	0.06*
L20H/20S	0.27*	0.06*
L30H/30S	0.41*	0.06*
L40S	0.53*	0.07*
L50S	0.65*	0.14*
L60S	0.77*	0.14*
L70S	0.89*	0.14*
L80S	1	0.14

\*estimated values