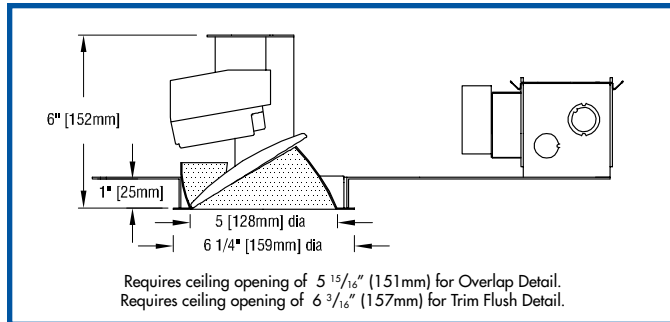


LED FTF WL/5

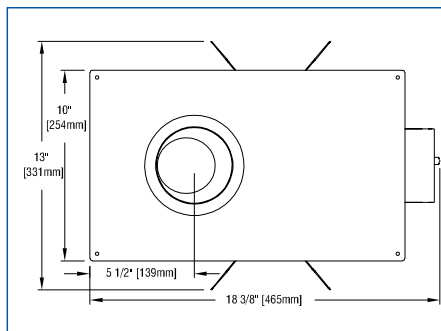
recessed lensed LED wallwasher

FULLY SUSTAINABLE – FULLY SUSTAINABLE – FULLY SUSTAINABLE – FULLY SUSTAINABLE – FULLY SUSTAINABLE – FULLY SUSTAINABLE – FULLY SUSTAINABLE




FEATURES

- **LED FTF WL/5 is a 5" aperture LED lensed wallwasher.** Luminaire is powered by an integral Philips Fortimo DLM Flex LED module with a CRI of 90. See tables below for wattages and efficacies. Luminaire may be ordered with one of a number of drivers.
- **Precise reflector design provides uniform illumination** on vertical surfaces up to the ceiling line and minimizes aperture brightness. The optical assembly consists of two internal reflectors and a 40° x 70° glass spread lens.
- **External reflectors are available in clear natural aluminum finishes** – semi-specular Alzak (C) or slightly diffuse (V) – as well as champagne gold and black. Other reflector finishes are available on special order.
- **Luminaire includes a pair of mounting bars** (3/4" x 27" C channel). Specialty bars for wood joist and T-bar installations are also available.
- **For more information, [click here](#).**



APPLICATIONS

Fixture is  listed for Damp Location. Fixture is prewired with thermal protector and approved for ten #12 wire 90° branch circuit pull-through wiring. If specified with a "DMV-AD" driver fixture qualifies for the  safety program prescribed by UL991 and CSA22.2, and does not require a thermal protector. Removal of the reflector allows access to the junction box.



MODIFICATIONS AVAILABLE

Contact factory with quantity for pricing; orders may require shop drawing approval.
+DOD: luminaire suitable for **high humidity** environments; add +DOD to Product Code.
+MAR: reflector suitable for **marine** environments; add +MAR to Product Code.

SPACING REQUIREMENT

The L30 model of this luminaire must be spaced 36" apart and 18" from walls, and must have 1/2" clearance above housing.

PRODUCT CODE

For complete product code, list basic unit and select one item from each following box.

Basic Unit	LED-FTF-5WL															
Driver	dimmable to 1% by a 0-10V dimmer on 120 or 277-volt service ... - DMV-AD dimmable to 1% SoftOn/FadeToBlack by a Lutron EcoSystem control, on 120-volt or 277-volt service ECO-LU dimmable to 1% by a 2-wire Lutron compatible dimmer, on 120-volt service only - DMI-LU eldoLED 0-10V (Logarithmic) driver dimmable to 0.1% with a 0-10V dimmer on 120 or 277-volt service - DVO-ELG eldoLED 0-10V (Linear) driver dimmable to 0.1% with a 0-10V dimmer on 120 or 277-volt service - DVO-ELN eldoLED drivers dimmable to 1% by a DALI control system - DAL-EL Moons' driver dimmable to 0.1% by DMX controllers - DXO-MN dimmable to 0.1% by a Zigbee wireless network (Daintree, Encelium or Wink); wireless range 50' through standard walls - ZGOMAG															
Light Source Output	1100 lumens 4000K not available - L11 1500 lumens 4000K not available - L15 2000 lumens 4000K not available - L20 3000 lumens see SPACING - L30															
Light Engine Color	2700K (CRI 90) 27K 3000K (CRI 90) 30K 3500K (CRI 90) 35K 4000K (CRI 90) not available on L11, L15 or L20 models 40K															
Voltage	120 volt service - 120 277 volt service - 277															
Reflector Color and Detail	<table border="1"> <thead> <tr> <th></th> <th>Overlap Flange</th> <th>Trim Flush*</th> </tr> </thead> <tbody> <tr> <td>Semi-specular Clear</td> <td>COL</td> <td>CTF</td> </tr> <tr> <td>Slightly diffuse Clear</td> <td>VOL</td> <td>VTF</td> </tr> <tr> <td>Champagne Gold</td> <td>GOL</td> <td>GTF</td> </tr> <tr> <td>White</td> <td>WOL</td> <td>WTF</td> </tr> </tbody> </table> Other reflector finishes available on special order. Overlap Flange continues reflector finish. White painted flanges and custom painted flanges are available on special order. Add WF (white flange) or CCF (custom color flange). *Trim Flush reflector trim requires the use of a plaster ring Accessory (see below). ▶ Reflectors detailed for metal or wood ceilings available on special order.		Overlap Flange	Trim Flush*	Semi-specular Clear	COL	CTF	Slightly diffuse Clear	VOL	VTF	Champagne Gold	GOL	GTF	White	WOL	WTF
	Overlap Flange	Trim Flush*														
Semi-specular Clear	COL	CTF														
Slightly diffuse Clear	VOL	VTF														
Champagne Gold	GOL	GTF														
White	WOL	WTF														

OPTIONS Specify by adding to the basic unit.

Emergency battery pack; remote test switch mounted adjacent to luminaire; increases depth to 7 7/8", increases footprint length to 19 5/8"; 3" additional clearance needed to service pack through aperture - RM

ACCESSORIES Specify as a separate line item.

Plaster ring allows use of 5 7/8" OD Trim Flush (-TF) reflector in sheetrock ceiling; 6 3/16" dia hole required TF RING/5
--



PHOTOMETRIC REPORT (tested per IESNA LM-79-2008)

prorated from (LTL) Report No. 21292. Original Luminaire Testing Laboratories, Inc. (LTL) test reports furnished upon request.

Luminairerecessed LED round lensed wallwasher with aluminum reflector

LampPhilips LED Fortimo DLM 2000, 3000K CCT

Lamp Liferated 50,000 hours based on L70/B50 criteria. LM80 report by LED manufacturer furnished upon request

WALLWASH INFORMATION

Distance From Ceiling (Feet)	3' From Wall; 3' O.C.		3'6" From Wall; 3'6" O.C.		4' From Wall; 4' O.C.	
	Below Fixture	Between Fixtures	Below Fixture	Between Fixtures	Below Fixture	Between Fixtures
1	73	59	53	40	40	29
2	64	61	50	47	40	36
3	45	48	39	40	34	33
4	31	33	28	30	25	27
5	22	22	21	21	19	20
6	15	15	15	15	15	15
7	11	10	11	11	11	11
8	8	8	8	8	8	8
9	6	6	6	6	6	6
10	5	5	5	5	5	5
11			4	4	4	4
12			3	3	3	3

LIGHT OUTPUT MULTIPLIERS (based on 2000 lumens LED)

LED Light Engine	Light Output Multiplier				EM 3000K
	2700K	3000K	3500K	4000K	
L11	0.57	0.59	0.61	-	0.29
L15	0.76	0.79	0.82	-	0.29
L20	0.96	1	1.03	-	0.29
L30	1.45	1.51	1.56	1.59	0.3

*estimated values

COLOR MULTIPLIERS

Semi-specular Clear (C)	1
EvenTone (V)	.95
Champagne Gold (G)	.95
Black (B)	.49

All vertical footcandles are initial values with no contribution from ceiling or floor reflectances.

Computation performed with a total of five wallwashers.

LUMINAIRE LIGHT OUTPUT AND EFFICACY

LED Module Type	Luminaire Light Output	Luminaire Efficacy (lms/watt)	Luminaire Light Output	Luminaire Efficacy (lms/watt)	Luminaire Light Output	Luminaire Efficacy (lms/watt)	Luminaire Light Output	Luminaire Efficacy (lms/watt)	System Wattage	RX Light Output (90 min. run) 3000K
	2700K		3000K		3500K		4000K			
L11	605*	47*	627*	48*	647*	50*	-	-	13	308*
L15	807*	47*	839*	49*	871*	51*	-	-	17	308*
L20	1020*	42*	1062	44	1094*	46*	-	-	24	308*
L30	1540*	45*	1604*	47*	1657*	49*	1689*	50*	34	319*

*estimated values

DRIVER INFORMATION UL Class 2, dry and damp location

Voltage	120	277
Input Watts (1100/1500/2000/3000 lumens)	13/17/24/34	13/17/24/34
Input Current (A) (1100/1500/2000/3000 lumens)	.11/.14/.20/.28	.05/.06/.09/.12
Min. Power Factor	>0.95	>0.95
Operating Temperature Range (F)	-4 to 122	-4 to 122