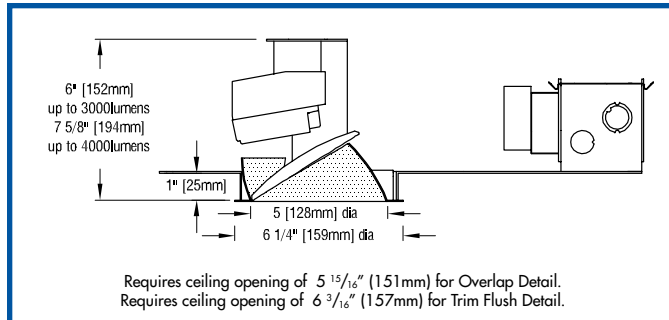


LED FTF WL/5

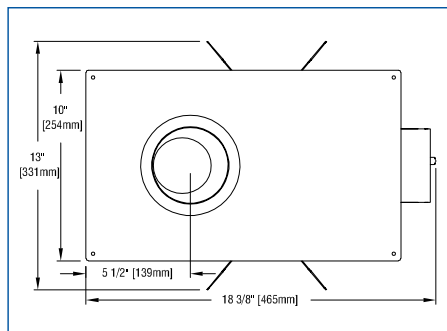
recessed lensed LED wallwasher

FULLY SUSTAINABLE – FULLY SUSTAINABLE – FULLY SUSTAINABLE – FULLY SUSTAINABLE – FULLY SUSTAINABLE – FULLY SUSTAINABLE – FULLY SUSTAINABLE



FEATURES

- **LED FTF WL/5 is a 5" aperture LED lensed wallwasher.** Luminaire is powered by an integral Philips Fortimo DLM Flex LED module. See tables below for wattages and efficacies. Luminaire may be ordered with one of a number of drivers.
- **Precise reflector design provides uniform illumination** on vertical surfaces up to the ceiling line and minimizes aperture brightness. The optical assembly consists of two internal reflectors and a 40° x 70° glass spread lens.
- **External reflectors are available in clear natural aluminum finishes** – semi-specular Alzak (C) or slightly diffuse (V) – as well as champagne gold and black. Other reflector finishes are available on special order.
- **Luminaire includes a pair of mounting bars** (3/4" x 27" C channel). Specialty bars for wood joist and T-bar installations are also available.
- **For more information, [click here](#).**



APPLICATIONS

Fixture is  listed for Damp Location. Fixture is prewired with thermal protector and approved for ten #12 wire 90° branch circuit pull-through wiring. If specified with a "DMV-AD" driver fixture qualifies for the  safety program prescribed by UL991 and CSA22.2, and does not require a thermal protector. Removal of the reflector allows access to the junction box.



MODIFICATIONS AVAILABLE

Contact factory with quantity for pricing; orders may require shop drawing approval.

- **+DOD:** luminaire suitable for **high humidity** environments; add +DOD to Product Code.
- **+MAR:** reflector suitable for **marine** environments; add +MAR to Product Code.

SPACING REQUIREMENT

The L30H and L40S models of this luminaire must be spaced 36" apart and 18" from walls and must have 1/2" clearance above housing.

For IC-rated, see [EPIC LED FTF WL/5](#)

PRODUCT CODE

For complete product code, list basic unit and select one item from each following box.

Basic Unit LED-FTF-W5L

Driver

dimmable to 1% by a 0-10V dimmer on 120 or 277-volt service ... - DMV-AD
 dimmable to 1% SoftOn/FadeToBlack by a Lutron EcoSystem control,
 on 120-volt or 277-volt service ECO-LU
 dimmable to 1% by a 2-wire Lutron compatible dimmer,
 on 120-volt service only DMI-LU
 eldoLED 0-10V (Logarithmic) driver dimmable to 0.1% with a
 0-10V dimmer on 120 or 277-volt service DVOELG
 eldoLED 0-10V (Linear) driver dimmable to 0.1% with a
 0-10V dimmer on 120 or 277-volt service DVOELN
 eldoLED drivers dimmable to 0.1% by a DALI control system DAO-EL
 Moons' driver dimmable to 0.1% by DMX controllers DXO-MN
 dimmable to 0.1% by a Zigbee wireless network (Daintree, Encelium
 or Wink); wireless range 50' through standard walls ZGOMAG

Light Source Output

1100 lumens/CRI 90 4000K & 5000K not available L11H
 1500 lumens 4000K & 5000K not available L15H
 2000 lumens 4000K & 5000K not available L20H
 3000 lumens see SPACING 4000K & 5000K not available L30H
 4000 lumens/CRI 80 ... see SPACING 2700K not available L40S

Light Engine Color

2700K not available on L40S model 27K
 3000K 30K
 3500K 35K
 4000K not available on L11H, L15H, L20H & L30H models 40K
 5000K not available on L11H, L15H, L20H & L30H models 50K

Voltage

120 volt service 120
 277 volt service 277

Reflector Color and Detail

	Overlap Flange	Trim Flush*
Semi-specular Clear	COL	CTF
Slightly diffuse Clear	VOL	VTF
Champagne Gold	GOL	GTF
White	WOL	WTF

Other reflector finishes available on special order.

Overlap Flange continues reflector finish. White painted flanges and custom painted flanges are available on special order. Add WF (white flange) or CCF (custom color flange).

*Trim Flush reflector trim requires the use of a plaster ring Accessory (see below).

▶ Reflectors detailed for metal or wood ceilings available on special order.

OPTIONS Specify by adding to the basic unit.

Emergency battery pack; remote test switch mounted adjacent to luminaire; increases depth to 7 7/8", increases footprint length to 19 5/8"; 3" additional clearance needed to service pack through aperture - RM

ACCESSORIES Specify as a separate line item.

Plaster ring allows use of 5 7/8" OD Trim Flush (-TF) reflector in sheetrock ceiling; 6 3/16" dia hole required TF RING/5

PHOTOMETRIC REPORT (tested per IESNA LM-79-2008)

prorated from **LTL** Report No. 21292. Original Luminaire Testing Laboratories, Inc. (LTL) test reports furnished upon request.

Luminaire recessed LED round lensed wallwasher with aluminum reflector and 40° x 70° lens
 Lamp Philips LED Fortimo DLM 2000 lumens, 90 CRI, 3000K CCT
 Lamp Life rated 50,000 hours based on L70/B50 criteria. LM80 report by LED manufacturer furnished upon request

WALLWASH INFORMATION

(Based on 2000 lumens, 90 CRI, 3000K LED)

Distance From Ceiling (Feet)	3" From Wall; 3" O.C.		3' 6" From Wall; 3' 6" O.C.	
	Below Fixture	Between Fixtures	Below Fixture	Between Fixtures
1	28	20	17	12
2	52	44	37	28
3	46	45	36	36
4	35	36	30	30
5	27	26	24	24
6	20	19	19	19
7	15	15	15	14
8	12	11	12	11
9	9	9	9	9
10	7	7	7	7
11	6	6	6	6
12	5	5	5	5

This table lists initial illuminance values at the center of a row of at least 5 fixtures with no contribution from ceiling or floor reflectance.

WALLWASH INFORMATION

(Based on 4000 lumens, 80 CRI, 3000K LED)

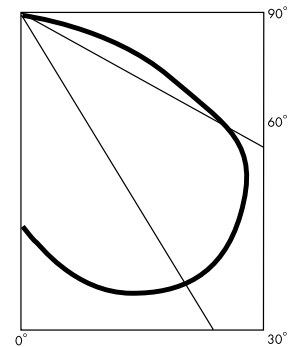
Distance From Ceiling (Feet)	4' 6" From Wall; 4' O.C.		5' From Wall; 4' 6" O.C.	
	Below Fixture	Between Fixtures	Below Fixture	Between Fixtures
1	14	11	10	8
2	36	29	26	21
3	49	46	39	33
4	46	47	38	39
5	41	41	35	36
6	35	35	30	31
7	29	28	26	26
8	24	23	22	22
9	19	19	18	18
10	16	16	16	15
11	13	13	13	13
12	11	11	11	11
13	9	9	9	9
14	8	8	8	8
15			7	7
16			6	6

This table lists initial illuminance values at the center of a row of at least 5 fixtures with no contribution from ceiling or floor reflectance.

LUMINAIRE LIGHT OUTPUT AND EFFICACY (Based on 3000K LED)

LED Module Type	Luminaire Light Output	Luminaire Efficacy (lms/watt)	System Wattage	EM Light Output (90-minute run)
L11H	643*	49*	13	287*
L15H	862*	51*	17	287*
L20H	1149	48	24	287*
L30H	1758*	50*	35	299*
L40S	2252*	61*	37	322*

*estimated values



DRIVER INFORMATION UL Class 2, dry and damp location

Voltage	120	277
Input Watts (L11H/L15H/L20H/L30H/L40S LED)	13/17/24/35/37	13/17/24/35/37
Input Current (A) (L11H/L15H/L20H/L30H/L40S LED)	.11/.14/.20/.29/.31	.05/.06/.09/.13/.13
Min. Power Factor	>0.95	>0.95
Operating Temperature Range (F)	-4 to 122	-4 to 122

LIGHT OUTPUT MULTIPLIERS

(Based on 2000 lumens, 90 CRI, 3000K LED)

LED Light Engine	Light Output Multiplier	EM Light Output Multiplier (90-minute run)
L11H	0.56*	0.25
L15H	0.75*	0.25
L20H	1	0.25
L30H	1.53*	0.26
L40S	1.96*	0.28

*estimated values

REFLECTOR COLOR MULTIPLIERS

Semi-specular Clear (C)	1
EvenTone (V)	.95
Champagne Gold (G)	.95
Black (B)	.49

COLOR TEMPERATURE MULTIPLIER

2700K	0.96
3000K	1
3500K	1.03
4000K	1.05
5000K	1.06