

Project

Type



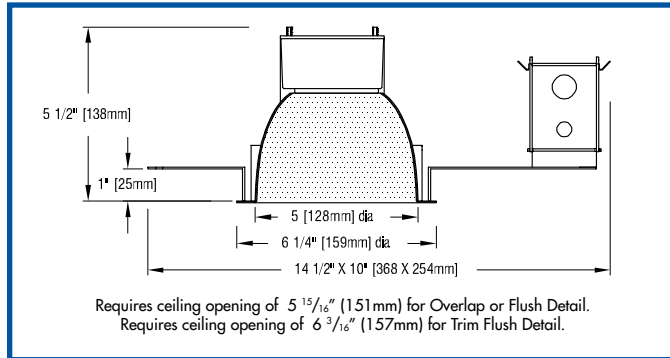
Date Product Code

Designer

ValueSpec DL/5

recessed LED downlight

MOST AFFORDABLE - MOST AFFORDABLE - MOST AFFORDABLE - MOST AFFORDABLE - MOST AFFORDABLE



PRODUCT CODE

For complete product code, list basic unit and select one item from each following box.

| | |
|----------------------------|-------------|
| Basic Unit | LED-FES-5DL |
| Light Source Output | |
| 1100 lumens | L11 |
| 1500 lumens | L15 |
| 2000 lumens | L20 |
| Light Engine Color | |
| 3000K (CRI 80) | 30K |
| 3500K (CRI 80) | 35K |
| 4000K (CRI 80) | 40K |

Driver:
LED and driver are integral: luminaire dims to 1% by means of a 0-10V dimmer only.

| Reflector Color and Detail | Overlap Flange | Trim Flush* |
|------------------------------|----------------|-------------|
| Semi-specular Clear | COL | CTF |
| Slightly diffuse Clear | VOL | VTF |
| Champagne Gold | GOL | GTF |
| White | WOL | WTF |

Other reflector finishes available on special order.
Overlap Flange continues reflector finish. White painted flanges and custom painted flanges are available on special order. Add WF (white flange) or CCF (custom color flange).
*Trim Flush reflector trim requires the use of a plaster ring Accessory (see below).
▶ Reflectors detailed for metal or wood ceilings available on special order.

FEATURES

- **ValueSpec DL/5 is a 5" aperture LED downlight.** Luminaire is powered by a Philips Fortimo DLM 'EaseSelect' driver-embedded LED module. Module produces 3000K or 3500K white light at a CRI of 80 and may be dimmed to 1% by a 0-10V dimmer. See tables below for wattages and efficacies.
- **Precise reflector design minimizes aperture brightness** and provides a shielding angle of 40°.
- **Luminaire includes an integral plastic shield**, making the fixture suitable for food service areas and other applications requiring protection from lamp failure.
- **External reflectors are available in clear natural aluminum finishes** – semi-specular Alzak (C) or slightly diffuse (V) – as well as champagne gold and white. Other reflector finishes are available on special order.
- **Housing is constructed from 14-gauge and 16-gauge electro-zinc steel** in Edison Price Lighting's American factory. Heavy-gauge metals and American manufacturing guarantee long-lasting durability.
- **Luminaire includes a pair of mounting bars** (3/4" x 27" C channel). Specialty bars for wood joist and T-bar installations are also available.
- **For more information, [click here](#).**

ACCESSORIES

Specify as a separate line item.

Plaster ring allows use of 5 7/8" OD Trim Flush (-TF) reflector in sheetrock ceiling; 6 3/16" dia hole required TF RING/5

APPLICATIONS

Luminaire is listed for Damp Location, qualifies for the safety program prescribed by UL991 and CSA22.2, and does not require a thermal protector. Luminaire is RoHA compliant and is suitable for 120-volt or 277-volt electrical service. Removal of the reflector allows access to the LED module and junction box.



MODIFICATIONS AVAILABLE
Contact factory with quantity for pricing; orders may require shop drawing approval.
+DOD: luminaire suitable for **high humidity** environments; add +DOD to Product Code.
+MAR: reflector suitable for **marine** environments; add +MAR to Product Code.

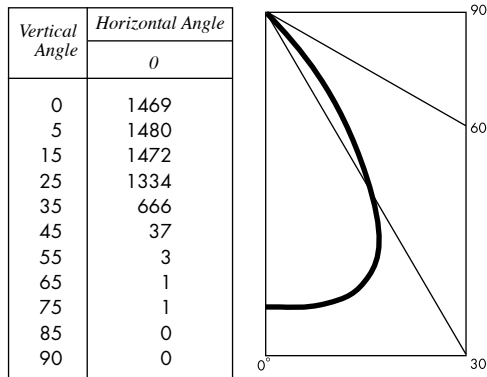


PHOTOMETRIC REPORT (tested per IESNA LM-79-2008)

(LTL) Report No. 21228 and 21291. Original Luminaire Testing Laboratories, Inc. (LTL) test report furnished upon request.

Luminaire recessed LED round downlight with aluminum reflector
 Lamp Philips LED Fortimo DLM ES 2000, 3000K CCT
 Lamp Life rated 50,000 hours based on L70/B50 criteria. LM80 report by LED manufacturer furnished upon request
 Spacing Criteria 1.0
 Luminaire light output..... 1631 lumens

CANDLEPOWER DISTRIBUTION



DRIVER INFORMATION *UL Class 2, dry and damp location*

| | | |
|--|-------------|-------------|
| Voltage | 120 | 277 |
| Input Watts (1100/1500/2000 lumens, 3000K LED) | 11/15/20 | 11/15/20 |
| Input Current (A) (1100/1500/2000 lumens, 3000K LED) | .09/.09/.17 | .04/.04/.08 |
| Min. Power Factor | >0.90 | >0.90 |
| Operating Temperature Range (F) | -4 to 149 | -4 to 149 |

LIGHT OUTPUT MULTIPLIERS

| | 1100 lumens light output | 1500 lumens light output | 2000 lumens light output |
|-----------------|--------------------------|--------------------------|--------------------------|
| Standard driver | .61* | .82* | 1 |

*estimated values

COLOR MULTIPLIERS

| | |
|----------------------------|-----|
| Semi-specular Clear (C) | 1 |
| Slightly diffuse Clear (V) | .95 |
| Champagne Gold (G) | .95 |

ZONAL LUMEN SUMMARY

| Zone | Lumens | % Fixture |
|---------|--------|-----------|
| 0 - 30° | 1155 | 70.8 |
| 0 - 40° | 1566 | 96.0 |
| 0 - 60° | 1629 | 99.9 |
| 0 - 90° | 1631 | 100.0 |
| 90-180° | 0 | 0.0 |
| 0-180° | 1631 | 100.0 |

LUMINANCE DATA

| Vertical Angle | Candelaim ² |
|----------------|------------------------|
| 45 | 4200 |
| 55 | 386 |
| 65 | 246 |
| 75 | 230 |
| 85 | 246 |

LUMINAIRE LIGHT OUTPUT AND EFFICACY

| LED Module type | Luminaire Light Output | Luminaire Efficacy (lms/watt) | System Wattage |
|---------------------------|------------------------|-------------------------------|----------------|
| 1100 Lumens 80 CRI (L11S) | 995* | 90* | 11 |
| 1500 Lumens 80 CRI (L15S) | 1344* | 90* | 15 |
| 2000 Lumens 80 CRI (L20S) | 1631 | 82 | 20 |

*estimated values