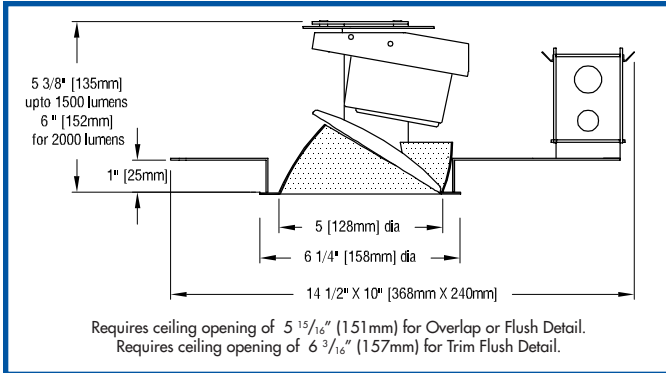


VALUE WL/5

recessed lensed LED wallwasher



FULLY SUSTAINABLE – FULLY SUSTAINABLE – FULLY SUSTAINABLE – FULLY SUSTAINABLE – FULLY SUSTAINABLE – FULLY SUSTAINABLE – FULLY SUSTAINABLE

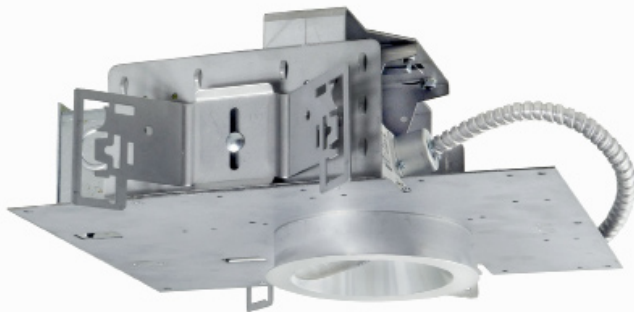


FEATURES

- **VALUE WL/5 is a 5" aperture LED lensed wallwasher.** Luminaire is powered by a Philips Fortimo DLM 'EaseSelect' driver-embedded LED module. Module produces 3000K, 3500K or 4000K white light at a CRI of 80 and may be dimmed to 1% by a 0-10V dimmer. See tables below for wattages and efficacies.
- **Precise reflector design provides uniform illumination** on vertical surfaces up to the ceiling line and minimizes aperture brightness. The optical assembly consists of two internal reflectors and a 40° x 70° glass spread lens.
- **External reflectors are available in clear natural aluminum finishes** – semi-specular Alzak (C) or slightly diffuse (V) – as well as champagne gold and white. Other reflector finishes are available on special order.
- **Luminaire includes a pair of mounting bars** (3/4" x 27" C channel). Specialty bars for wood joist and T-bar installations are also available.
- **For more information, [click here](#).**

APPLICATIONS

Luminaire is listed for Damp Location, qualifies for the safety program prescribed by UL991 and CSA22.2, and does not require a thermal protector. Luminaire is RoHA compliant and is suitable for 120-volt or 277-volt electrical service. Removal of the reflector allows access to the LED module and junction box.



MODIFICATIONS AVAILABLE

Contact factory with quantity for pricing; orders may require shop drawing approval.

- **+DOD:** luminaire suitable for **high humidity** environments; add +DOD to Product Code.
- **+MAR:** reflector suitable for **marine** environments; add +MAR to Product Code.

PRODUCT CODE

For complete product code, list basic unit and select one item from each following box.

Basic Unit	LED-FES-5WL
Light Source Output	
1100 lumens	L11
1500 lumens	L15
2000 lumens	L20 <i>note: 6" depth</i>
Light Engine Color	
3000K (CRI 80)	30K
3500K (CRI 80)	35K
4000K (CRI 80)	40K

Driver:
LED and driver are integral: luminaire dims to 1% by means of a 0-10V dimmer only.

Reflector Color and Detail	Overlap Flange	Trim Flush*
Semi-specular Clear	COL	CTF
Slightly diffuse Clear	VOL	VTF
Champagne Gold	GOL	GTF
White	WOL	WTF
Other reflector finishes available on special order.		
Overlap Flange continues reflector finish. White painted flanges and custom painted flanges are available on special order. Add WF (white flange) or CCF (custom color flange).		
*Trim Flush reflector trim requires the use of a plaster ring Accessory (see below).		
▶ Reflectors detailed for metal or wood ceilings available on special order.		

ACCESSORIES

Specify as a separate line item.

Plaster ring allows use of 5 7/8" OD Trim Flush (-TF) reflector in sheetrock ceiling; 6 3/16" dia hole required TF RING/5



PHOTOMETRIC REPORT (tested per IESNA LM-79-2008)

LTL Report No. 21292 and 21229. Original Luminaire Testing Laboratories, Inc.
(LTL) test report furnished upon request.

Luminairerecessed LED round lensed wallwasher with aluminum reflector

LampPhilips LED Fortimo DLM ES 2000, 3000K CCT

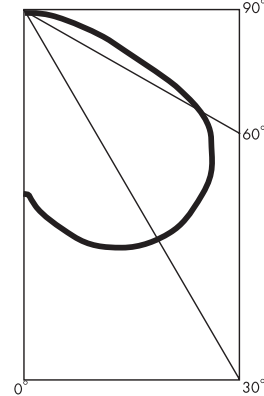
Lamp Liferated 50,000 hours based on L70/B50 criteria. LM80 report by LED manufacturer furnished upon request

WALLWASH INFORMATION

Distance From Ceiling (Feet)	3' From Wall; 3' O.C.		3'6" From Wall; 3' 6" O.C.		4' From Wall; 3' 6" O.C.	
	Below Fixture	Between Fixtures	Below Fixture	Between Fixtures	Below Fixture	Between Fixtures
1	27	19	16	11	11	9
2	47	41	34	27	25	20
3	40	41	32	33	28	29
4	31	32	27	27	26	26
5	24	24	21	22	22	22
6	18	18	17	17	18	18
7	14	14	13	13	14	14
8	11	11	10	10	12	12
9	9	9	8	8	9	9
10	7	7	7	7	8	8
11			6	6	7	7
12					6	6

All vertical footcandles are initial values with no contribution from ceiling or floor reflectances.
Computation performed with a total of ten wallwashers.

CANDLEPOWER DISTRIBUTION



LUMINAIRE LIGHT OUTPUT AND EFFICACY

LED Module type	Luminaire Light Output	Luminaire Efficacy (lms/watt)	System Wattage
1100 Lumens 80 CRI (L11S)	628*	57*	11
1500 Lumens 80 CRI (L15S)	843*	56*	15
2000 Lumens 80 CRI (L20S)	1029	51	20

*estimated values

COLOR MULTIPLIERS

Semi-specular Clear (C)	1
Slightly diffuse Clear (V)	.99
Champagne Gold (G)	.99

DRIVER INFORMATION UL Class 2, dry and damp location

Voltage	120	277
Input Watts (1100/1500/2000 lumens, 3000K LED)	11/15/20	11/15/20
Input Current (A) (1100/1500/2000 lumens, 3000K LED)	.09/.09/.17	.04/.04/.08
Min. Power Factor	>0.90	>0.90
Operating Temperature Range (F)	-4 to 149	-4 to 149

LIGHT OUTPUT MULTIPLIERS

	1100 lumens light output	1500 lumens light output	2000 lumens light output
Standard driver	.61*	.82*	1

*estimated values