

Project

Date Product Code

Type

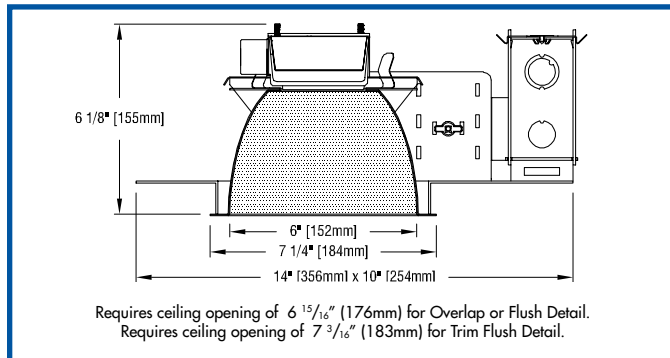
Designer



VALUE DL/6

recessed LED downlight

MOST AFFORDABLE - MOST AFFORDABLE - MOST AFFORDABLE - MOST AFFORDABLE - MOST AFFORDABLE



FEATURES

- **VALUE DL/6 is a 6" aperture LED downlight.** Luminaire is powered by a Philips Fortimo DLM 'EaseSelect' driver-embedded LED module. Module produces 3000K or 3500K white light at a CRI of 80 and may be dimmed to 1% by a 0-10V dimmer. See tables below for wattages and efficacies.
- **Precise reflector design minimizes aperture brightness** and provides a shielding angle of 40°.
- **Luminaire includes an integral plastic shield,** making the fixture suitable for food service areas and other applications requiring protection from lamp failure.
- **External reflectors are available in clear natural aluminum finishes** – semi-specular Alzak (C) or slightly diffuse (V) – as well as champagne gold and white. Other reflector finishes are available on special order.
- **Luminaire includes a pair of mounting bars** (3/4" x 27" C channel). Specialty bars for wood joist and T-bar installations are also available.
- **For more information, [click here.](#)**

APPLICATIONS

Luminaire is listed for Damp Location, qualifies for the safety program prescribed by UL991 and CSA22.2, and does not require thermal protector. Luminaire is RoHA compliant and is suitable for 120-volt or 277-volt electrical service. Removal of the reflector allows access to the LED module and junction box.



MODIFICATIONS AVAILABLE

Contact factory with quantity for pricing; orders may require shop drawing approval.

+DOD: luminaire suitable for **high humidity** environments; add +DOD to Product Code.

+MAR: reflector suitable for **marine** environments; add +MAR to Product Code.

PRODUCT CODE

For complete product code, list basic unit and select one item from each following box.

Basic Unit..... LED-FES-6DL

Light Source Output

1 100 lumens L11
 1 500 lumens L15
 2 000 lumens L20

Light Engine Color

3000K (CRI 80)..... 30K
 3500K (CRI 80)..... 35K

Driver:

LED and driver are integral: luminaire dims to 1% by means of a 0-10V dimmer only.

Reflector Color and Detail

Overlap Flange

Trim Flush*

Semi-specular Clear	COL	CTF
Slightly diffuse Clear	VOL	VTF
Champagne Gold	GOL	GTF
White	WOL	WTF

Other reflector finishes available on special order.

Overlap Flange continues reflector finish. White painted flanges and custom painted flanges are available on special order. Add WF (white flange) or CCF (custom color flange).

*Trim Flush reflector trim requires the use of a **plaster ring** Accessory (see below).

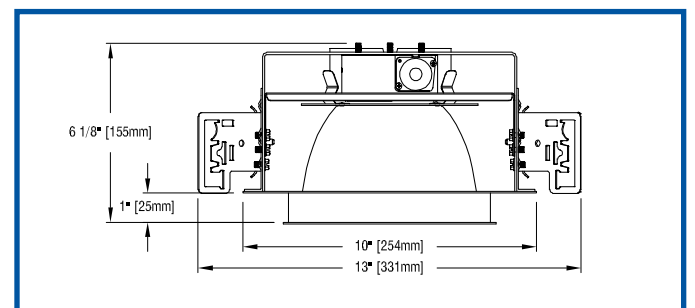
► Reflectors detailed for metal or wood ceilings available on special order.

ACCESSORIES

 Specify as a separate line item.

Plaster ring allows use of 6 7/8" OD Trim Flush (-TF)

reflector in sheetrock ceiling; 7 3/16" dia hole required TF RING/6

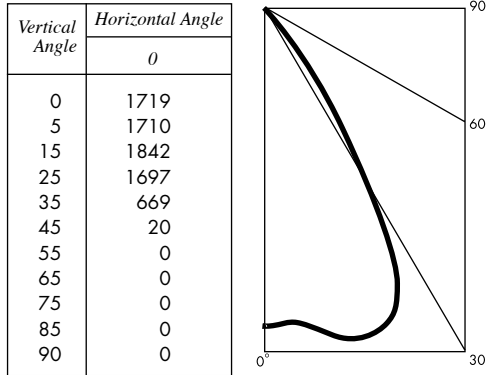


PHOTOMETRIC REPORT (tested per IESNA LM-79-2008)

Leading Testing Laboratories Report No. UT18070002-02a. Original test report furnished upon request

Luminaire recessed LED round downlight with aluminum reflector
 Lamp Philips Fortimo LED DLM 2000 830, 3000K CCT
 Spacing Criteria 1.14
 Luminaire light output..... 1879 lumens

CANDLEPOWER DISTRIBUTION (Candela)



DRIVER INFORMATION *UL Class 2, dry and damp location*

Voltage	120	277
Input Watts (1100/1500/2000 lumens, 3000K LED)	11/15/20	11/15/20
Input Current (A) (1100/1500/2000 lumens, 3000K LED)	.09/.13/.17	.04/.05/.07
Min. Power Factor	>0.90	>0.90
Operating Temperature Range (F)	-4 to149	-4 to149

LIGHT OUTPUT MULTIPLIERS

	1100 lumens light output	1500 lumens light output	2000 lumens light output
Standard driver	.61*	.82*	1

*estimated values

COLOR MULTIPLIERS

Semi-specular Clear (C)	1
Slightly diffuse Clear (V)	.95
Champagne Gold (G)	.95

ZONAL LUMEN SUMMARY

Zone	Lumens	% Fixture
0 - 40	1835	97.6
0 - 60	1879	100.0
0 - 90	1879	100.0
90-180	0	0.0

LUMINANCE DATA

Vertical Angle	Candela/m ²
45	6108
55	0
65	0
75	0
85	0

LUMINAIRE LIGHT OUTPUT AND EFFICACY

LED Module type	Luminaire Light Output	Luminaire Efficacy (lms/watt)	System Wattage
1100 Lumens 80 CRI (L11S)	1146*	104*	11
1500 Lumens 80 CRI (L15S)	1541*	103*	15
2000 Lumens 80 CRI (L20S)	1879	94	20

*estimated values