

Project

Type



Date

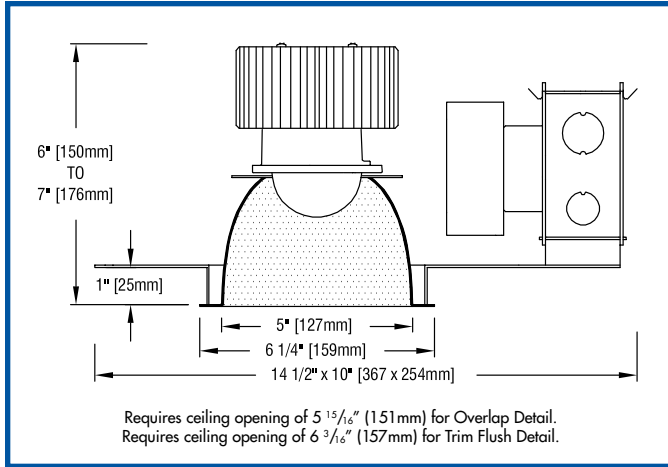
Product Code

Designer

APLUS WHITELIGHT/5

recessed LED downlight/wallwasher

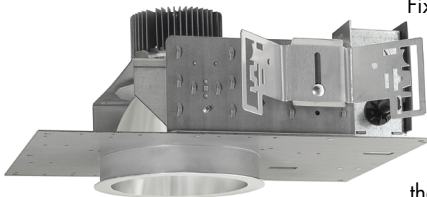
DOWNLIGHT - WALLWASHER - DOUBLE WALLWASHER - CORNER WALLWASHER



FEATURES

- **APlus WhiteLight/5 is a 5" aperture luminaire** powered by one of a number of Cree WhiteLight 90+CRI LED light engines. See tables below for wattages and efficacies.
- **One basic housing allows interchangeable use** of the downlight and wallwash reflectors. This permits housings to be installed first and reflectors installed or changed at any time. Wallwash reflectors available are: wallwash (120°), corner wallwash (210°), and double wallwash (2x120°).
- **Precise reflector design minimizes aperture brightness** and provides a shielding angle of 40°.
- **External reflectors are available in two clear natural aluminum finishes** — slightly diffuse (V) or fully diffuse (EC) — as well as champagne gold Alzak®, black and white. Other reflector finishes are available on special order.
- **Luminaire includes a pair of mounting bars** (3/4" x 27" C channel). Specialty bars for wood joist and T-bar installations are also available. Luminaire varies in depth from 6" to 7".
- **For more information, [click here](#).**

APPLICATIONS



Fixture is listed for Damp Location. Fixture is prewired with thermal protector and approved for ten #12 wire 90°C branch circuit pull-through wiring. Removal of the reflector allows access to the junction box.

SPACING REQUIREMENTS

Two models – L20 and L30 – must be spaced 24" apart (O.C.) and 18" from walls and must have 1/2" clearance above housing.

For retrofit LED lamp, see [APLUS A19E/5](#)
Install-from-below, see [PRESTO APLUS WHITELIGHT/5](#)
IC-rated (airtight), see [EPIC APLUS WHITELIGHT/5](#)

PRODUCT CODE

For complete product code, list basic unit and select one item from each following box.

Basic Unit AP-CLW-5

Driver

- "DVP" driver: dimmable to
 - 5% by a 0-10V dimmer on 120V or 277V service; or
 - 10% by an incandescent dimmer on 120V only; or
 - 10% by an electronic low voltage (ELV) dimmer on 120V only - DVP

Light Source Output

- 850 lumens 6" deep L08
- 1250 lumens 6 3/8" deep L12
- 2000 lumens 6 3/8" deep Note: Spacing Requirements L20
- 3000 lumens 7 1/2" deep Note: Spacing Requirements L30

LED Light Engine Color

- 2700K - 27K
- 3000K - 30K
- 3500K - 35K
- 4000K - 40K

Voltage

- 120 volt service - 120
- 277 volt service - 277

Reflector Type

- Downlight no suffix
- Wallwash WW
- Corner Wallwash CWW
- Double Wallwash DWW

Reflector Color and Detail	Overlap	Trim Flush*
Slightly diffuse Clear.....	VOL	VTF
Fully diffuse Clear.....	ECOL	ECTF
Champagne Gold.....	GOL	GTF
White.....	WOL	WTF

Overlap Flange continues reflector finish. White painted flanges and custom painted flanges are available on special order. Add WF (white flange) or CCF (custom color flange).

*Trim Flush reflector trim requires the use of a **plaster ring** Accessory (see below).

OPTIONS Specify by adding to the basic unit.

Emergency battery pack; remote test switch mounted adjacent to luminaire; 3" additional clearance needed to service pack through aperture - RM

ACCESSORIES Specify as separate line items.

Plaster ring allows use of 5 7/8" OD Trim Flush (-TF) reflector in sheetrock ceiling; 6 3/16" dia hole required TF RING/5



PHOTOMETRIC REPORT (tested per IESNA LM-79-2008)

UL Verification Services Report No. 369315. Original report furnished upon request.

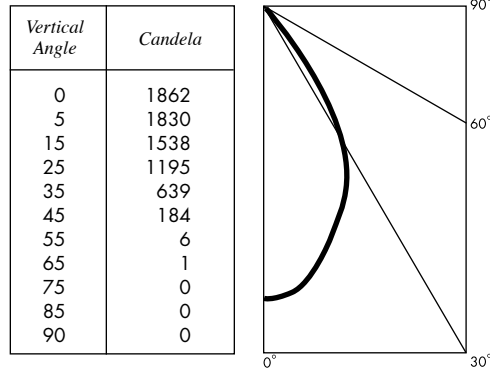
Luminaire recessed LED round downlight with aluminum reflector
 Lamp Cree LMH2 White Light LED, 2000 lumens, 3000K CCT, 90 CRI minimum
 Lamp Life rated 50,000 hours based on L70/B50 criteria. LM80 report by
 LED manufacturer furnished upon request
 Spacing Criteria 0.9
 Luminaire light output..... 1696 lumens

FIXTURE HEIGHT

LED Light Engine	Fixture Height (inches)
850 lumens	6
1250 lumens	6 3/8
2000 lumens	6 3/8
3000 lumens	7
RM option	8 7/8*

* 3-inch additional clearance needed for service pack through the aperture

CANDLEPOWER DISTRIBUTION



ZONAL LUMEN SUMMARY

Zone	Lumens	% Fixture
0 – 30°	1141	67.3
0 – 40°	1537	90.6
0 – 60°	1694	99.9
0 – 90°	1696	100.0
90 – 180°	0	0.0
0 – 180°	1631	100.0

COLOR MULTIPLIERS

Slightly diffuse clear (V)	1
Fully diffuse clear (EC)	.93
Champagne gold (G)	1
Black (B)	.45

STANDARD DRIVER (0-10V DIMMING) INFORMATION UL Class 2, dry and damp loca-

Voltage	120	277
Input Watts (850/1250/2000/3000 lumens)	13/18/28/40	13/18/28/40
Input Current (A) (850/1250/2000/3000 lumens)	.11/.15/.23/.33	.05/.06/.10/.14
Output Current (mA)	440/440/900/940	440/440/900/940
Min. Power Factor	>0.9	>0.9
Operating Temperature Range (F)	32 to 158	32 to 158

LIGHT OUTPUT MULTIPLIERS Based on 2000 lumens LED

LED Light Engine	Light Output Multiplier	RM Light Output Multiplier (90-minute run)
850 Lumens	.43*	.12*
1250 Lumens	.63*	.14*
2000 Lumens	1	.27*
3000 Lumens	1.50*	.32*

*estimated values

LUMINANCE DATA

Vertical Angle	Candela/m ²
45	20675
55	865
65	271
75	11
85	0

To convert cd/m² to footlamberts multiply by 0.2919.

LUMINAIRE LIGHT OUTPUT AND EFFICACY

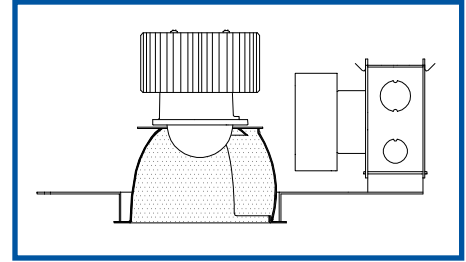
LED Light Engine	Luminaire Light Output	Luminaire Efficacy (lms/watt)	System Wattage	REM Light Output (90-minute run)
850 Lumens	719*	55	13	203*
1250 Lumens	1057*	59	18	237*
2000 Lumens	1691	61	28	457*
3000 Lumens	2537*	63	40	541*

*estimated values

PHOTOMETRIC REPORT (tested per IESNA LM-79-2008)

Verification Services Report No. 369317. Original report furnished upon request.

Luminaire recessed LED round wallwasher with aluminum reflector
 Lamp Cree LMH2 White Light LED, 2000 lumens, 3000K CCT, 90 CRI minimum
 Lamp Life rated 50,000 hours based on L70/B50 criteria. LM80 report by LED manufacturer furnished upon request
 Luminaire light output..... 1642 lumens



LUMINAIRE LIGHT OUTPUT AND EFFICACY

LED Light Engine	Luminaire Light Output	Luminaire Efficacy (lms/watt)	System Wattage	REM Light Output (90-minute run)
850 Lumens	706*	54	13	198*
1250 Lumens	1034*	57	18	238*
2000 Lumens	1642	59	28	443*
3000 Lumens	2463*	62	40	517*

*estimated values

LIGHT OUTPUT MULTIPLIERS Based on 2000 lumens LED

LED Light Engine	Light Output Multiplier	RM Light Output Multiplier (90-minute run)
850 Lumens	.43*	.12*
1250 Lumens	.63*	.14*
2000 Lumens	1	.27*
3000 Lumens	1.50*	.32*

*estimated values

WALLWASH INFORMATION Based on 2000 lumens LED

Distance From Ceiling (Feet)	2' 6" From Wall; 2' 6" O.C.		3' From Wall; 3' O.C.	
	Below Fixture	Between Fixtures	Below Fixture	Between Fixtures
1	11	10	6	6
2	20	19	13	12
3	22	21	15	14
4	24	24	16	16
5	23	23	17	17
6	20	20	16	16
7	17	17	15	15
8	15	15	13	13
9	12	12	11	11
10	11	11	10	10
11	9	9	9	9
12	8	8	8	8
13			7	7
14			6	6
15			5	5

All vertical footcandles are initial values with no contribution from ceiling or floor reflectances. Computation performed with a total of ten wallwashers.