

# APLUS WHITELIGHT/5 PM


pendant mounted LED downlight/wallwasher



## FEATURES

- **APlus Whitelight/5 PM is an efficient 5" aperture pendant mounted luminaire** powered by one or a number of Cree WhiteLight 90+CRI LED light engines. Luminaire includes 84" leads and is suitable for hanging from a 3 1/2" or 4" octagonal outlet box (by others) by means of a 3/8 NPS (.675" OD) pendant. Pendant and hardware may be ordered as accessories or provided by others. See tables on following pages for wattages and efficacies.
- **One basic housing allows interchangeable use** of the downlight and wallwash (120°) reflectors. This permits housings to be installed first and reflectors installed or changed at any time.
- **Precise reflector design minimizes aperture brightness** and provides a shielding angle of 40°.
- **External reflectors are available in two clear natural aluminum finishes** — slightly diffuse (V) or fully diffuse (EC) — as well as champagne gold Alzak® and white. Other reflector finishes are available on special order.
- For more information, [click here](#).

## APPLICATIONS

Fixture is suitable for 120-volt or 277-volt service and is  listed for Damp Location and mounting on a 3 1/2" or 4" octagonal outlet box (supplied by others).

### PENDANTS

3/8 NPS (.675" OD); may be cut and rethreaded in the field.

<b>18" pendant, white</b> .....	18PX
<i>same as above, black</i> .....	18PXB
<i>same as above, Industrial Silver</i> .....	18PXS
<b>36" pendant, white.</b> .....	36PX
<i>same as above, black</i> .....	36PXB
<i>same as above, Industrial Silver</i> .....	36PXS

### PENDANT HARDWARE

For use with a 3/8 NPS (.675" OD) pendant hung from 3 1/2" or 4" outlet box.

<b>outlet box cover kit, white, flat 4 1/2" dia.</b> .....	UNIT/OBC
<i>same as above, black</i> .....	UNIT/OBCB
<i>same as above, Industrial Silver</i> .....	UNIT/OBCS
<b>canopy kit, 5" dia. X 1 5/8" deep</b> .....	UNIT/CPY
<i>same as above, black</i> .....	UNIT/CPYB
<i>same as above, Industrial Silver</i> .....	UNIT/CPYS
<b>swivel kit, 4 1/2" dia.; 45° max sloped ceiling</b> .....	UNIT/SVL
<i>same as above, black</i> .....	UNIT/SVLB
<i>same as above, Industrial Silver</i> .....	UNIT/SVLS

- ▶ Pendants of custom length and/or finish are available on special order.
- ▶ Hardware Kits of custom finish are available on special order.

## PRODUCT CODE

For complete product code, list basic unit and select one item from each following box.

Basic Unit .....	AP-PM-5
------------------	---------

Light Source Output (Lumens)	
850L .....	- L08
1250L .....	- L12
2000L .....	- L20

LED Light Engine Color	
2700K .....	- 27K
3000K .....	- 30K
3500K .....	- 35K
4000K .....	- 40K

Driver	
DVP driver dimmable to	
- 5% by a 0-10V dimmer on 120V or 277V service; or	
- 10% by an incandescent dimmer on 120V only; or	
- 10% by an electronic low voltage (ELV) dimmer on 120V only....	- DVP

Finish	
white .....	- WHT
black .....	- BLK
Industrial Silver .....	- SIL
custom color: include physical chip with order .....	- CC

Reflector Type	
Downlight .....	no suffix
Wallwash .....	WW

Reflector Color	
Slightly diffuse Clear .....	VSM
Fully diffuse Clear .....	ECSM
Champagne Gold .....	GSM
White .....	WSM
Other reflector finishes are available on special order.	
Overlap Flange continues reflector finish. White painted flanges and custom painted flanges are available on special order. Add WF (white flange) or CCF (custom color flange).	

For a surface mounted model, see [APLUS WHITELIGHT SM](#)

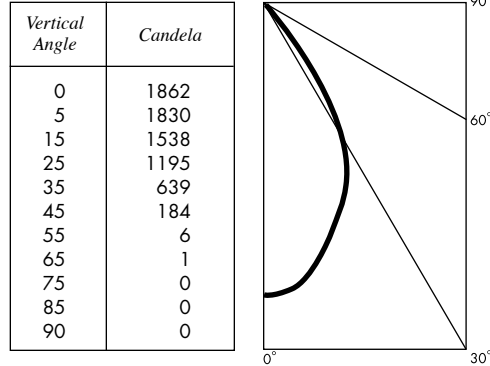


## PHOTOMETRIC REPORT (tested per IESNA LM-79-2008)

**UL** Verification Services Report No. 369315. Original report furnished upon request.

Luminaire ..... pendant-mounted LED round downlight with aluminum reflector  
 Lamp ..... Cree LMH2 White Light LED, 2000 lumens, 3000K CCT, 90 CRI minimum  
 Lamp Life ..... rated 50,000 hours based on L70/B50 criteria. LM80 report by  
 LED manufacturer furnished upon request  
 Spacing Criteria ..... 0.9

### CANDLEPOWER DISTRIBUTION

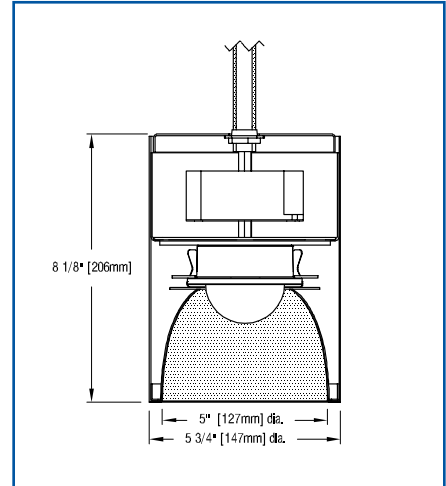


### LIGHT OUTPUT MULTIPLIERS

Based on 2000 lumens LED

LED Light Engine	Light Output Multiplier
850 Lumens	.43*
1250 Lumens	.63*
2000 Lumens	1

\*estimated values



### ZONAL LUMEN SUMMARY

Zone	Lumens	% Fixture
0 - 30°	1141	67.3
0 - 40°	1537	90.6
0 - 60°	1694	99.9
0 - 90°	1696	100.0
90 - 180°	0	0.0
0 - 180°	1631	100.0

### STANDARD DRIVER (0-10V DIMMING) INFORMATION

UL Class 2, dry and damp location

Voltage	120	277
Input Watts (850/1250/2000 lumens)	11/16/26	11/16/26
Input Current (A) (850/1250/2000 lumens)	.09/.13/.22	.04/.06/.09
Output Current (mA)	440/440/900	440/440/900
Min. Power Factor	>0.9	>0.9
Operating Temperature Range (F)	32 to 122	32 to 122

### LUMINANCE DATA

Vertical Angle	Candela/m <sup>2</sup>
45	20675
55	865
65	271
75	11
85	0

To convert cd/m<sup>2</sup> to footlamberts multiply by 0.2919.

### LUMINAIRE LIGHT OUTPUT AND EFFICACY

LED Light Engine	Luminaire Light Output	Luminaire Efficacy (lms/watt)	System Wattage
850 Lumens	719*	65	11
1250 Lumens	1057*	66	16
2000 Lumens	1691	65	26

\*estimated values

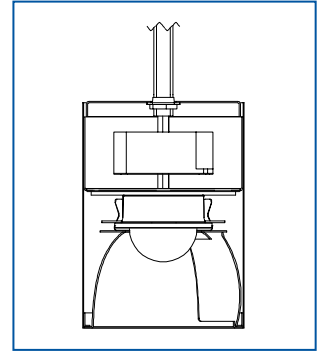
### COLOR MULTIPLIERS

Slightly diffuse clear (V)	1
Fully diffuse clear (EC)	.93
Champagne gold (G)	1

## PHOTOMETRIC REPORT (tested per IESNA LM-79-2008)

Verification Services Report No. 369317. Original report furnished upon request.

Luminaire ..... pendant-mounted LED round wallwasher with aluminum reflector  
 Lamp ..... Cree LMH2 White Light LED, 2000 lumens, 3000K CCT, 90 CRI minimum  
 Lamp Life ..... rated 50,000 hours based on L70/B50 criteria. LM80 report by  
 LED manufacturer furnished upon request



## WALLWASH INFORMATION *Based on 2000 lumens LED*

Distance From Ceiling (Feet)	2' 6" From Wall; 2' 6" O.C.		3' From Wall; 3' O.C.	
	Below Fixture	Between Fixtures	Below Fixture	Between Fixtures
1	11	10	6	6
2	20	19	13	12
3	22	21	15	14
4	24	24	16	16
5	23	23	17	17
6	20	20	16	16
7	17	17	15	15
8	15	15	13	13
9	12	12	11	11
10	11	11	10	10
11	9	9	9	9
12	8	8	8	8
13			7	7
14			6	6
15			5	5

All vertical footcandles are initial values with no contribution from ceiling or floor reflectances. Computation performed with a total of ten wallwashers.

## LIGHT OUTPUT MULTIPLIERS

*Based on 2000 lumens LED*

LED Light Engine	Light Output Multiplier
850 Lumens	.43*
1250 Lumens	.63*
2000 Lumens	1

\*estimated values

## LUMINAIRE LIGHT OUTPUT AND EFFICACY

LED Light Engine	Luminaire Light Output	Luminaire Efficacy (lms/watt)	System Wattage
850 Lumens	706*	64	11
1250 Lumens	1034*	65	16
2000 Lumens	1642	63	26

\*estimated values