

Project

Type



Date

Product Code

Designer

APLUS WHITELIGHT/5 SM


surface mounted LED downlight/wallwasher



FEATURES

- **Aplus WhiteLight/5 SM is a 5" aperture surface mounted luminaire** powered by one of a number of Cree WhiteLight 90+CRI LED light engines. See tables below for wattages and efficacies.
- **One basic housing allows interchangeable use** of downlight and wall-wash (120°) reflectors. Housings may be installed first and reflectors installed or changed at any time.
- **Precise reflector design minimizes aperture brightness** and provides a shielding angle of 40°.
- **Reflectors are available in two clear natural aluminum finishes** — slightly diffuse (V) or fully diffuse (EC) — as well as champagne gold Alzak® and white. Other reflector finishes are available on special order.
- **For more information, [click here](#).**

APPLICATIONS

Fixture is suitable for 120-volt or 277-volt service and is  listed for Damp Location and mounting on a 3½" or 4" octagonal outlet box (supplied by others). Pendant mounting is also available on special order.

MODIFICATIONS AVAILABLE

Contact factory with quantity for pricing; orders may require shop drawing approval.

- Side bracket, for mounting on vertical surfaces

For a pendant mounted model, see [APLUS WHITELIGHT PM](#)

PRODUCT CODE

For complete product code, list basic unit and select one item from each following box.

Basic Unit AP-SM-5-CLWD

Finish

white - WHT
 black - BLK
 Industrial Silver - SIL
 custom color: include paint number or physical chip with order - CC

Light Source Output (Lumens)

850L - L08
 1250L - L12
 2000L - L20

LED Light Engine Color

2700K - 27K
 3000K - 30K
 3500K - 35K
 4000K - 40K

Driver

DVP driver dimmable to
 - 5% by a 0-10V dimmer on 120V or 277V service; or
 - 10% by an incandescent dimmer on 120V only; or
 - 10% by an electronic low voltage (ELV) dimmer on 120V only.... - DVP

Voltage

120 volt service - 120
 277 volt service - 277

Reflector Type

Downlight no suffix
 Wallwash WW

Reflector Color

Slightly diffuse Clear VSM
 Fully diffuse Clear EC SM
 Champagne Gold GSM
 White WSM

Other reflector finishes are available on special order.

Overlap Flange continues reflector finish. White painted flanges and custom painted flanges are available on special order. Add WF (white flange) or CCF (custom color flange).



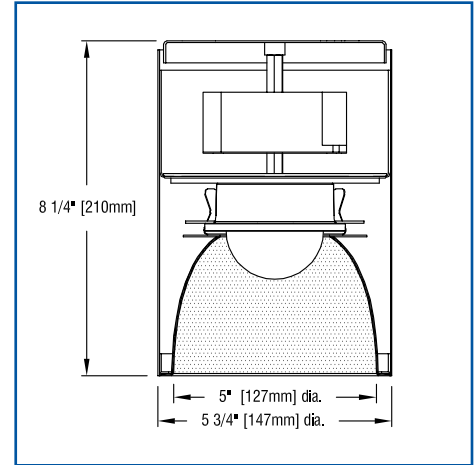
APLUS WHITELIGHT/5 SM



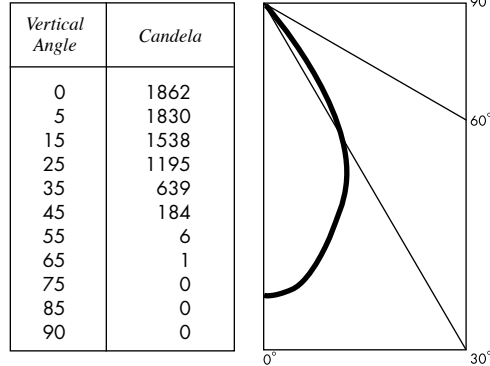
PHOTOMETRIC REPORT (tested per IESNA LM-79-2008)

Verification Services Report No. 369315. Original report furnished upon request.

Luminaire surface-mounted LED round downlight with aluminum reflector
 Lamp Cree LMH2 White Light LED, 2000 lumens, 3000K CCT, 90 CRI minimum
 Lamp Life rated 50,000 hours based on L70/B50 criteria. LM80 report by
 LED manufacturer furnished upon request
 Spacing Criteria 0.9



CANDLEPOWER DISTRIBUTION



LIGHT OUTPUT MULTIPLIERS

Based on 2000 lumens LED

LED Light Engine	Light Output Multiplier
850 Lumens	.43*
1250 Lumens	.63*
2000 Lumens	1

*estimated values

STANDARD DRIVER (0-10V DIMMING) INFORMATION

UL Class 2, dry and damp location

Voltage	120	277
Input Watts (850/1250/2000 lumens)	11/16/26	11/16/26
Input Current (A) (850/1250/2000 lumens)	.09/.13/.22	.04/.06/.09
Output Current (mA)	440/440/900	440/440/900
Min. Power Factor	>0.9	>0.9
Operating Temperature Range (F)	32 to 122	32 to 122

ZONAL LUMEN SUMMARY

Zone	Lumens	% Fixture
0 – 30°	1141	67.3
0 – 40°	1537	90.6
0 – 60°	1694	99.9
0 – 90°	1696	100.0
90 – 180°	0	0.0
0 – 180°	1631	100.0

COLOR MULTIPLIERS

Slightly diffuse clear (V)	1
Fully diffuse clear (EC)	.93
Champagne gold (G)	1

LUMINAIRE LIGHT OUTPUT AND EFFICACY

LED Light Engine	Luminaire Light Output	Luminaire Efficacy (lms/watt)	System Wattage
850 Lumens	719*	65	11
1250 Lumens	1057*	66	16
2000 Lumens	1691	65	26

*estimated values

LUMINANCE DATA

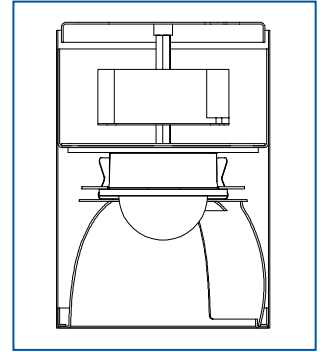
Vertical Angle	Candela/m ²
45	20675
55	865
65	271
75	11
85	0

To convert cd/m² to footlamberts multiply by 0.2919.

PHOTOMETRIC REPORT (tested per IESNA LM-79-2008)

Verification Services Report No. 369317. Original report furnished upon request.

Luminaire surface-mounted LED round wallwasher with aluminum reflector
 Lamp Cree LMH2 White Light LED, 2000 lumens, 3000K CCT, 90 CRI minimum
 Lamp Life rated 50,000 hours based on L70/B50 criteria. LM80 report by
 LED manufacturer furnished upon request



WALLWASH INFORMATION *Based on 2000 lumens LED*

Distance From Ceiling (Feet)	2' 6" From Wall; 2' 6" O.C.		3' From Wall; 3' O.C.	
	Below Fixture	Between Fixtures	Below Fixture	Between Fixtures
1	11	10	6	6
2	20	19	13	12
3	22	21	15	14
4	24	24	16	16
5	23	23	17	17
6	20	20	16	16
7	17	17	15	15
8	15	15	13	13
9	12	12	11	11
10	11	11	10	10
11	9	9	9	9
12	8	8	8	8
13			7	7
14			6	6
15			5	5

All vertical footcandles are initial values with no contribution from ceiling or floor reflectances. Computation performed with a total of ten wallwashers.

LIGHT OUTPUT MULTIPLIERS

Based on 2000 lumens LED

LED Light Engine	Light Output Multiplier
850 Lumens	.43*
1250 Lumens	.63*
2000 Lumens	1

*estimated values

LUMINAIRE LIGHT OUTPUT AND EFFICACY

LED Light Engine	Luminaire Light Output	Luminaire Efficacy (lms/watt)	System Wattage
850 Lumens	706*	64	11
1250 Lumens	1034*	65	16
2000 Lumens	1642	63	26

*estimated values