

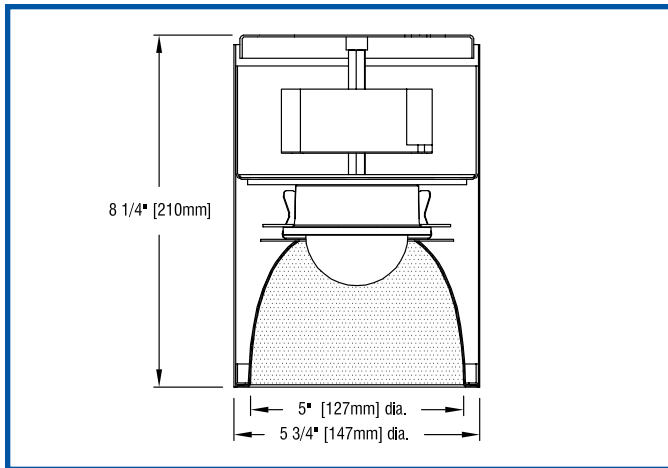
APLUS SUNSET/5 SM

surface mounted LED downlight/wallwasher



MADE IN USA

[Click here!](#)



FEATURES

- **APlus Sunset/5 SM is a 5" aperture surface mounted luminaire** powered by one of a number of Cree Sunset 90+CRI LED light engines. See tables below for wattages and efficacies.
- **Sunset modules dim smoothly from 2700 K to 1800 K**, providing a dimming experience similar to incandescent lighting.
- **One basic housing allows interchangeable use** of downlight and wallwash (120°) reflectors. Housings may be installed first and reflectors installed or changed at any time.
- **Precise reflector design minimizes aperture brightness** and provides a shielding angle of 40°.
- **Reflectors are available in two clear natural aluminum finishes** — slightly diffuse (V) or fully diffuse (EC) — as well as champagne gold Alzak® and white. Other reflector finishes are available on special order.
- **For more information, [click here](#).**



APPLICATIONS

Luminaire is recommended for spaces requiring rich, warm light and "incandescent style" dimming, especially residences, hotels, lobbies and reception areas.

Fixture is suitable for 120-volt or 277-volt service and is listed for Damp Location and mounting on a 3 1/2" or 4" octagonal outlet box (supplied by others). Pendant mounting is also available on special order.

PRODUCT CODE

For complete product code, list basic unit and select one item from each following box.

Basic Unit AP-SM-5-CLSD

Finish
 white - WHT
 black - BLK
 Industrial Silver - SIL
 custom color: include physical chip with order - CC

Light Source Output (Lumens)
 850L DME DVP - L08
 1250L DME DVP - L12
 2000L DMV DVP - L20

Driver
 DVP driver: dimmable to
 - 5% by a 0-10V dimmer on 120V or 277V service; or
 - 0.2 to 3.0% by a dimmer listed on next page, on 120V only..... - DVP

Voltage
 120 volt service - 120
 277 volt service - 277

Reflector Type
 Downlight no suffix
 Wallwash WW

Reflector Color
 Slightly diffuse Clear VSM
 Fully diffuse Clear EC SM
 Champagne Gold GSM
 White WSM

Other reflector finishes are available on special order.
 Overlap Flange continues reflector finish. White painted flanges and custom painted flanges are available on special order. Add WF (white flange) or CCF (custom color flange).



41-50 22ND STREET, LIC NY 11101 TEL 718.685.0700 FAX 718.786.8530 www.epl.com

©Copyright, Edison Price Lighting 2016

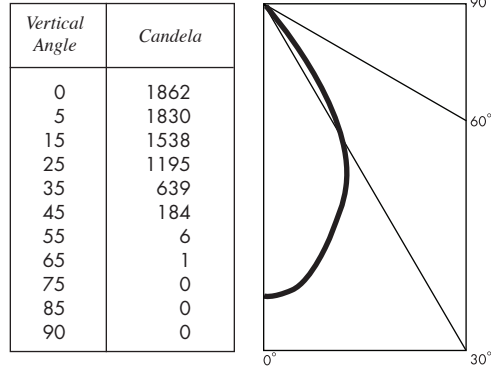
LED 0-084 8:16

PHOTOMETRIC REPORT (tested per IESNA LM-79-2008)

Data prorated from Verification Services Report No. 369315.
Original report furnished upon request.

Luminaire surface-mounted LED round downlight with aluminum reflector
Lamp Cree LMH2 Sunset LED, 2000 lumens, 2700K CCT, 90 CRI minimum
Lamp Life rated 50,000 hours based on L70/B50 criteria. LM80 report by LED manufacturer furnished upon request
Spacing Criteria 0.9
Luminaire light output..... 1696 lumens

CANDLEPOWER DISTRIBUTION



STANDARD DRIVER (0-10V DIMMING) INFORMATION

UL Class 2, dry and damp location

Voltage	120	277
Input Watts (850/1250/2000 lumens)	11/16/28	11/16/28
Input Current (A) (850/1250/2000 lumens)	.09/.13/.23	.04/.06/.23
Output Current (mA)	440/440/940	440/440/940
Min. Power Factor	>0.9	>0.9
Operating Temperature Range (F)	32 to 122	32 to 122

ZONAL LUMEN SUMMARY

Zone	Lumens	% Fixture
0 – 30°	1141	67.3
0 – 40°	1537	90.6
0 – 60°	1694	99.9
0 – 90°	1696	100.0
90 – 180°	0	0.0
0 – 180°	1631	100.0

LUMINAIRE LIGHT OUTPUT AND EFFICACY

LED Light Engine	Luminaire Light Output	Luminaire Efficacy (lms/watt)	System Wattage
850 Lumens	719*	65	11
1250 Lumens	1057*	66	16
2000 Lumens	1691	60	28

*estimated values

LUMINANCE DATA

Vertical Angle	Candela/m ²
45	20675
55	865
65	271
75	11
85	0

To convert cd/m² to footlamberts multiply by 0.2919.

COLOR MULTIPLIERS

Slightly diffuse clear (V)	1
Fully diffuse clear (EC)	.93
Champagne gold (G)	1

LIGHT OUTPUT MULTIPLIERS

Based on 2000 lumens LED

LED Light Engine	Light Output Multiplier
850 Lumens	.43*
1250 Lumens	.63*
2000 Lumens	1

*estimated values

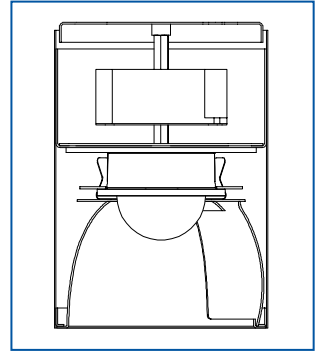
SELECTED DIMMERS FOR SPECIAL ORDER FIXTURES (DVP)

LED Light Engine	Dimmer	Dimmable to
850 Lumens	Lutron DVCL-153P	0.2 %
1250 Lumens	Lutron NT600	1.0 %
2000 Lumens	Lutron NT600	3.0 %

PHOTOMETRIC REPORT (tested per IESNA LM-79-2008)

Data prorated from Verification Services Report No. 369317.
Original report furnished upon request.

Luminaire surface-mounted LED round wallwasher with aluminum reflector
Lamp Cree LMH2 Sunset LED, 2000 lumens, 2700K CCT, 90 CRI minimum
Lamp Life rated 50,000 hours based on L70/B50 criteria. LM80 report by LED manufacturer furnished upon request
Luminaire light output..... 1642 lumens



WALLWASH INFORMATION *Based on 2000 lumens LED*

Distance From Ceiling (Feet)	2' 6" From Wall; 2' 6" O.C.		3' From Wall; 3' O.C.	
	Below Fixture	Between Fixtures	Below Fixture	Between Fixtures
1	11	10	6	6
2	20	19	13	12
3	22	21	15	14
4	24	24	16	16
5	23	23	17	17
6	20	20	16	16
7	17	17	15	15
8	15	15	13	13
9	12	12	11	11
10	11	11	10	10
11	9	9	9	9
12	8	8	8	8
13			7	7
14			6	6
15			5	5

All vertical footcandles are initial values with no contribution from ceiling or floor reflectances. Computation performed with a total of ten wallwashers.

LUMINAIRE LIGHT OUTPUT AND EFFICACY

LED Light Engine	Luminaire Light Output	Luminaire Efficacy (lms/watt)	System Wattage
850 Lumens	706*	64	11
1250 Lumens	1034*	65	16
2000 Lumens	1642	59	28

*estimated values

LIGHT OUTPUT MULTIPLIERS

Based on 2000 lumens LED

LED Light Engine	Light Output Multiplier
850 Lumens	.43*
1250 Lumens	.63*
2000 Lumens	1

*estimated values