

Project

Type



MADE IN USA

[Click Here](#)

Date

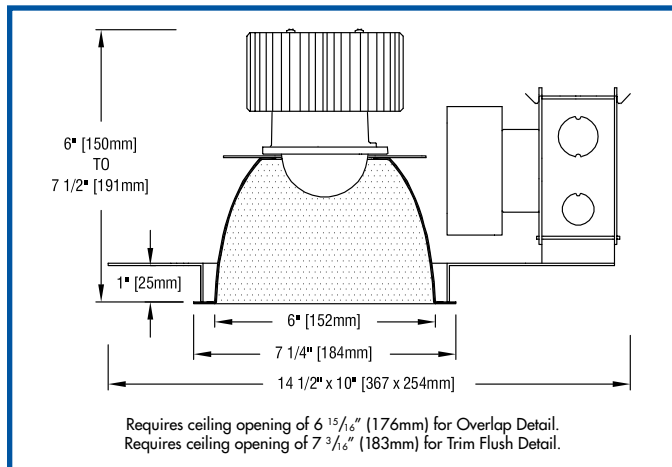
Product Code

Designer

# APLUS WHITELIGHT/6

recessed LED downlight/wallwasher

DOWNLIGHT - WALLWASHER - DOUBLE WALLWASHER - CORNER WALLWASHER



## FEATURES

- **APlus WhiteLight/6 is a 6" aperture luminaire** powered by one of a number of Cree WhiteLight 90+CRI LED light engines. See tables below for wattages and efficacies.
- **One basic housing allows interchangeable use** of downlight and wallwash reflectors. Housings may be installed first and reflectors installed or changed at any time. Wallwash reflectors available are: wallwash (120°), corner wallwash (210°), and double wallwash (2x120°).
- **Precise reflector design minimizes aperture brightness** and provides a shielding angle of 40°.
- **Reflectors are available in two clear natural aluminum finishes** — slightly diffuse (V) or fully diffuse (EC) — as well as champagne gold Alzak®, black and white.
- **Luminaire includes a pair of mounting bars** (3/4" x 27" C channel). Specialty bars for wood joist and T-bar installations are also available. Luminaire varies in depth from 6" to 7 1/2".
- **For more information, [click here](#).**

## APPLICATIONS

Luminaire is recommended for downlighting or wallwashing in offices, stores, residences, lobbies, corridors and reception areas.



Fixture is cULus listed for Damp Location. Fixture is prewired with thermal protector and approved for ten #12 wire 90°C branch circuit pull-through wiring. Removal of the reflector allows access to the junction box.

### SPACING REQUIREMENTS

Two models – **L20** and **L30** – must be spaced 24" apart (O.C.) and 18" from walls and must have 1/2" clearance above housing.  
One model – **L40** – must be spaced 36" apart (O.C.) and 18" from walls and must have 1/2" clearance above housing.

For retrofit LED lamp, see [APLUS A19E/6](#)  
IC-rated (airtight), see [EPIC APLUS WHITELIGHT/6](#)

## PRODUCT CODE

For complete product code, list basic unit and select one item from each following box.

Basic Unit ..... AP-CLW-6

### Driver

- `DVP` driver: dimmable to
  - 5% by a 0-10V dimmer on 120V or 277V service; or
  - 10% by an incandescent dimmer on 120V only; or
  - 10% by an electronic low voltage (ELV) dimmer on 120V only ..... - DVP

### Light Source Output

- 850 lumens ..... 6" deep ..... - L08
- 1250 lumens ..... 6 3/8" deep ..... - L12
- 2000 lumens ..... 6 3/8" deep ..... Note: Spacing Requirements ..... - L20
- 3000 lumens ..... 7 1/2" deep ..... Note: Spacing Requirements ..... - L30
- 4000 lumens ..... 7 1/2" deep ..... Note: Spacing Requirements ..... - L40

### LED Light Engine Color

- 2700K ..... - 27K
- 3000K ..... - 30K
- 3500K ..... - 35K
- 4000K ..... - 40K

### Voltage

- 120 volt service ..... - 120
- 277 volt service ..... - 277

### Reflector Type

- Downlight ..... no suffix
- Wallwash ..... WW
- Corner Wallwash ..... CWW
- Double Wallwash ..... DWW

Reflector Color and Detail	Overlap Flange	Trim Flush*
Slightly diffuse Clear.....	VOL	VTF
Fully diffuse Clear.....	ECOL	ECTF
Champagne Gold.....	GOL	GTF
White.....	WOL	WTF

Overlap Flange continues reflector finish. White painted flanges and custom painted flanges are available on special order. Add WF (white flange) or CCF (custom color flange).

\*Trim Flush reflector trim requires the use of a **plaster ring** Accessory (see below).

## OPTIONS *Specify by adding to the basic unit.*

**Emergency battery pack;** remote test switch mounted adjacent to luminaire; 3" additional clearance needed to service pack through aperture ..... - RM

## ACCESSORIES *Specify as separate line items.*

**Plaster ring** allows use of 6 7/8" OD Trim Flush (-TF) reflector in sheetrock ceiling; 7 3/16" dia hole required.....TF RING/6



## PHOTOMETRIC REPORT (tested per IESNA LM-79-2008)

Verification Services Report No. 369318. Original report furnished upon request.

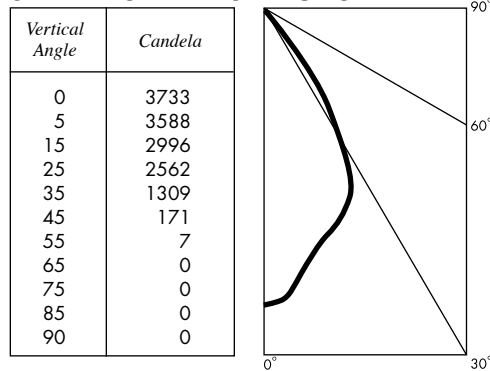
Luminaire ..... recessed LED round downlight with aluminum reflector  
 Lamp ..... Cree LMH2 White Light LED, 4000 lumens, 3000K CCT, 90 CRI minimum  
 Lamp Life ..... rated 50,000 hours based on L70/B50 criteria. LM80 report by  
 LED manufacturer furnished upon request  
 Spacing Criteria ..... 0.9  
 Luminaire light output..... 3316 lumens

## FIXTURE HEIGHT

LED Light Engine	Fixture Height (inches)
850 lumens	6
1250 lumens	6 7/8
2000 lumens	6 7/8
3000 lumens	7 1/2
4000 lumens	7 1/2
RM option	8 7/8*

\* 3-inch additional clearance needed for service pack through the aperture

## CANDLEPOWER DISTRIBUTION



## STANDARD DRIVER (0-10V DIMMING) INFORMATION UL Class 2, dry and damp loca-

Voltage	120	277
Input Watts (850/1250/2000/3000/4000 lumens)	13/18/28/40/45	13/18/28/40/45
Input Current (A) (850/1250/2000/3000/4000 lumens)	.11/.15/.23/.33/.38	.05/.06/.10/.14/.16
Output Current (mA)	440/440/900/900/940	440/440/900/900/940
Min. Power Factor	>0.9	>0.9
Operating Temperature Range (F)	32 to 158	32 to 158

## LIGHT OUTPUT MULTIPLIERS Based on 4000 lumens LED

LED Light Engine	Light Output Multiplier	RM Light Output Multiplier (90-minute run)
850 Lumens	.22*	.06*
1250 Lumens	.32*	.07*
2000 Lumens	.52*	.14*
3000 Lumens	.78*	.16*
4000 Lumens	1	.10*

\*estimated values

## LUMINANCE DATA

Vertical Angle	Candela/m <sup>2</sup>
45	13293
55	652
65	13
75	11
85	0

To convert cd/m<sup>2</sup> to footlamberts multiply by 0.2919.

## ZONAL LUMEN SUMMARY

Zone	Lumens	% Fixture
0 - 30°	2321	70.0
0 - 40°	3132	94.4
0 - 60°	3316	100.0
0 - 90°	3316	100.0
90 - 180°	0	0.0
0 - 180°	3316	100.0

## COLOR MULTIPLIERS

Slightly diffuse clear (V)	1
Fully diffuse clear (EC)	.93
Champagne gold (G)	1
Black (B)	.45

## LUMINAIRE LIGHT OUTPUT AND EFFICACY

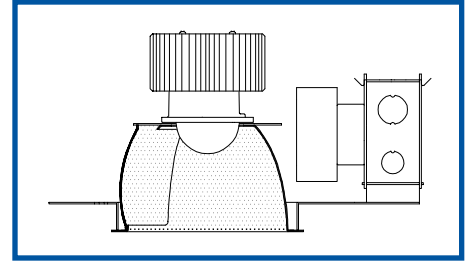
LED Light Engine	Luminaire Light Output	Luminaire Efficacy (lms/watt)	System Wattage	RM Light Output (90-minute run)
850 Lumens	731*	56	13	205*
1250 Lumens	1075*	60	18	247*
2000 Lumens	1720*	61	28	464*
3000 Lumens	2580*	65	40	542*
4000 Lumens	3316	74	45	332*

\*estimated values

## PHOTOMETRIC REPORT (tested per IESNA LM-79-2008)

Verification Services Report No. 369320. Original report furnished upon request.

Luminaire ..... recessed LED round wallwasher with aluminum reflector  
 Lamp ..... Cree LMH2 White Light LED, 2000 lumens, 3000K CCT, 90 CRI minimum  
 Lamp Life ..... rated 50,000 hours based on L70/B50 criteria. LM80 report by LED manufacturer furnished upon request  
 Luminaire light output..... 3229 lumens



## LUMINAIRE LIGHT OUTPUT AND EFFICACY

LED Light Engine	Luminaire Light Output	Luminaire Efficacy (lms/watt)	System Wattage	RM Light Output (90-minute run)
850 Lumens	710*	55	13	194*
1250 Lumens	1033*	57	18	226*
2000 Lumens	1679*	61	28	452*
3000 Lumens	2519*	63	40	517*
4000 Lumens	3229	71	45	323*

\*estimated values

## LIGHT OUTPUT MULTIPLIERS Based on 4000 lumens LED

LED Light Engine	Light Output Multiplier	RM Light Output Multiplier (90-minute run)
850 Lumens	.22*	.06*
1250 Lumens	.32*	.07*
2000 Lumens	.52*	.14*
3000 Lumens	.78*	.16*
4000 Lumens	1	.10*

\*estimated values

## WALLWASH INFORMATION Based on 4000 lumens LED

Distance From Ceiling (Feet)	3' From Wall; 3' O.C.		3'6" From Wall; 3'6" O.C.	
	Below Fixture	Between Fixtures	Below Fixture	Between Fixtures
1	15	14	12	10
2	28	27	20	16
3	31	29	28	24
4	34	33	30	28
5	36	36	27	26
6	34	35	24	23
7	30	31	19	19
8	26	26	16	16
9	23	22	13	13
10	19	19	11	11
11	17	17	9	9
12	15	15	8	8
13	13	13	7	7
14	11	11	6	6
15	10	10	5	5
16	9	9		
17	8	8		
18	7	7		

All vertical footcandles are initial values with no contribution from ceiling or floor reflectances. Computation performed with a total of ten wallwashers.