

Project

Type



Date

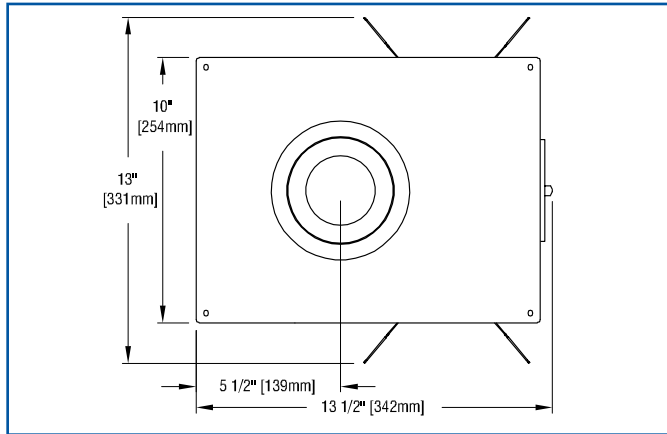
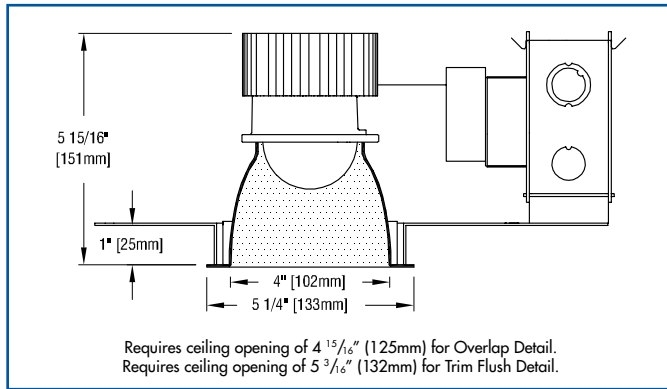
Product Code

Designer

APLUS WHITELIGHT/4

recessed LED downlight/wallwasher

DOWNLIGHT - WALLWASHER - DOUBLE WALLWASHER



FEATURES

- **APLus Whitelight/4 is a 4" aperture luminaire** powered by one of a number of Cree Whitelight 90+CRI LED light engines. See tables below for wattages and efficacies.
- **One basic housing allows interchangeable use** of the downlight and wallwash reflectors. This permits housings to be installed first and reflectors installed or changed at any time. Wallwash reflectors available are: wallwash (120°) and double wallwash (2x120°).
- **Precise reflector design minimizes aperture brightness** and provides a shielding angle of 40°.
- **External reflectors are available in two clear natural aluminum finishes** — slightly diffuse (V) or fully diffuse (EC) — as well as champagne gold Alzak® and white. Other reflector finishes are available on special order.
- **Luminaire includes a pair of mounting bars** (3/4" x 27" C channel). Specialty bars for wood joist and T-bar installations are also available. Luminaire varies in depth from 6" to 7".
- **For more information, [click here](#).**

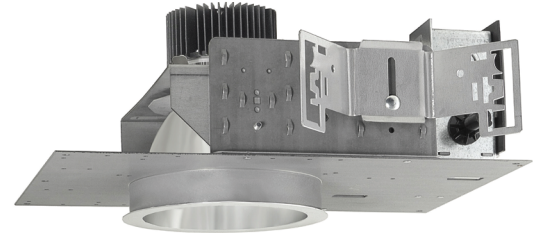
APPLICATIONS

Fixture is cULus listed for Damp Location. Fixture is prewired with thermal protector and approved for ten #12 wire 90°C branch circuit pull-through wiring. Removal of the reflector allows access to the junction box.

SPACING REQUIREMENTS

The L20 model must be spaced 24" apart (O.C.) and 18" from walls and must have 1/2" clearance above housing.

For retrofit LED lamp, see [APLUS A19E/4](#)
IC-rated (airtight), see [EPIC APLUS WHITELIGHT/4](#)



PRODUCT CODE

For complete product code, list basic unit and select one item from each following box.

Basic Unit	AP-CLW-4	
Driver	"DVP" driver: dimmable to - 5% by a 0-10V dimmer on 120V or 277V service; or - 10% by an incandescent dimmer on 120V only; or - 10% by an electronic low voltage (ELV) dimmer on 120V only - DVP	
Light Source Output	850 lumens - L08 1250 lumens - L12 2000 lumens <i>Note: Spacing Requirements</i> - L20	
LED Light Engine Color	2700K..... - 27K 3000K..... - 30K 3500K..... - 35K 4000K..... - 40K	
Voltage	120 volt service - 120 277 volt service - 277	
Reflector Type	Downlight no suffix Wallwash..... WW Double Wallwash.....DWW	
Reflector Color and Detail	<i>Overlap</i>	<i>Trim Flush*</i>
Slightly diffuse Clear.....	VOL	VTF
Fully diffuse Clear	ECOL	ECTF
Champagne Gold	GOL	GTF
White.....	WOL	WTF
Overlap Flange continues reflector finish. White painted flanges and custom painted flanges are available on special order. Add WF (white flange) or CCF (custom color flange). *Trim Flush reflector trim requires the use of a plaster ring Accessory (see below).		

OPTIONS

Specify by adding to the basic unit.

Emergency battery pack; remote test switch mounted adjacent to luminaire; 3" additional clearance needed to service pack through aperture - RM

ACCESSORIES

Specify as separate line items.

Plaster ring allows use of 4 7/8" OD Trim Flush (-TF) reflector in sheetrock ceiling; 5 3/16" dia hole required TF RING/4

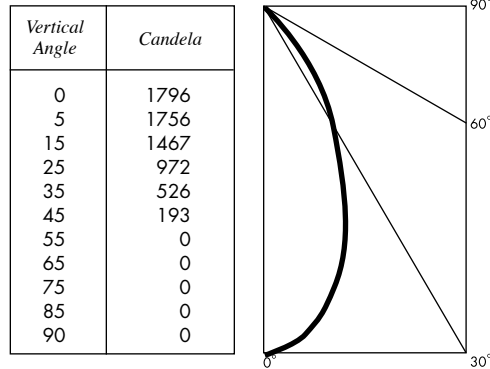


PHOTOMETRIC REPORT (tested per IESNA LM-79-2008)

Leading Testing Laboratories Report No. UT18120001.01a. Original test report furnished upon request.

Luminaire recessed LED round downlight with aluminum reflector
 Lamp Cree LMH2 White Light LED, 2000 lumens, 2700K CCT, 90 CRI minimum
 Lamp Life rated 50,000 hours based on L70/B50 criteria. LM80 report by
 LED manufacturer furnished upon request
 Spacing Criteria 0.82

CANDLEPOWER DISTRIBUTION



ZONAL LUMEN SUMMARY

Zone	Lumens	% Fixture
0 – 40°	1351	90.0
0 – 60°	1501	100.0
0 – 90°	1501	100.0
90 – 180°	0	0.0

COLOR MULTIPLIERS

Slightly diffuse clear (V)	1
Fully diffuse clear (EC)	.93
Champagne gold (G)	1

STANDARD DRIVER INFORMATION *UL Class 2, dry and damp location*

Voltage	120	277
Input Watts (850/1250/2000 lumens)	13/18/26	13/18/26
Input Current (A) (850/1250/2000 lumens)	.11/.15/.22	.05/.06/.09
Output Current (mA)	440/440/900	440/440/900
Min. Power Factor	>0.9	>0.9
Operating Temperature Range (F)	32 to 158	32 to 158

LIGHT OUTPUT MULTIPLIERS *Based on 2000 lumens LED*

LED Light Engine	Light Output Multiplier	RM Light Output Multiplier (90-minute run)
850 Lumens	.43*	.12*
1250 Lumens	.63*	.14*
2000 Lumens	1	.27*

*estimated values

LUMINANCE DATA

Vertical Angle	Candela/m ²
45	33641
55	0
65	0
75	0
85	0

To convert cd/m² to footlamberts multiply by 0.2919.

LUMINAIRE LIGHT OUTPUT AND EFFICACY

LED Light Engine	Luminaire Light Output	Luminaire Efficacy (lm/watt)	System Wattage	RM Light Output (90-minute run)
850 Lumens	645*	50*	13	180*
1250 Lumens	946*	53*	18	210*
2000 Lumens	1501	57	26	405*

*estimated values

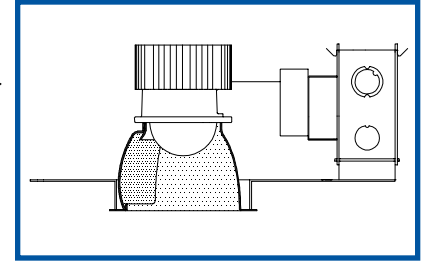
APLUS WHITELIGHT/4 WW



PHOTOMETRIC REPORT (tested per IESNA LM-79-2008)

Leading Testing Laboratories Report No. UT18120001.02a. Original test report furnished upon request.

Luminaire recessed LED round wallwasher with aluminum reflector
 Lamp Cree LMH2 White Light LED, 2000 lumens, 2700K CCT, 90 CRI minimum
 Lamp Life rated 50,000 hours based on L70/B50 criteria. LM80 report by LED manufacturer furnished upon request



LUMINAIRE LIGHT OUTPUT AND EFFICACY

LED Light Engine	Luminaire Light Output	Luminaire Efficacy (lms/watt)	System Wattage	RM Light Output (90-minute run)
850 Lumens	610*	47*	13	170*
1250 Lumens	894*	50*	18	199*
2000 Lumens	1419	54	26	383*

*estimated values

LIGHT OUTPUT MULTIPLIERS Based on 2000 lumens LED

LED Light Engine	Light Output Multiplier	RM Light Output Multiplier (90-minute run)
850 Lumens	.43*	.12*
1250 Lumens	.63*	.14*
2000 Lumens	1	.27*

*estimated values

WALLWASH INFORMATION Based on 2000 lumens LED

Distance From Ceiling (Feet)	2' 6" From Wall; 2' 6" O.C.		3' From Wall; 3' O.C.	
	Below Fixture	Between Fixtures	Below Fixture	Between Fixtures
1	7	6	4	4
2	11	11	7	7
3	16	16	9	8
4	21	19	12	12
5	21	20	16	14
6	18	18	14	14
7	16	16	13	13
8	14	13	12	12
9	12	12	10	10
10	10	10	9	9
11	9	9	8	8
12	8	8	7	7
13			6	6
14			6	6
15			5	5

All vertical footcandles are initial values with no contribution from ceiling or floor reflectances. Computation performed with a total of ten wallwashers.