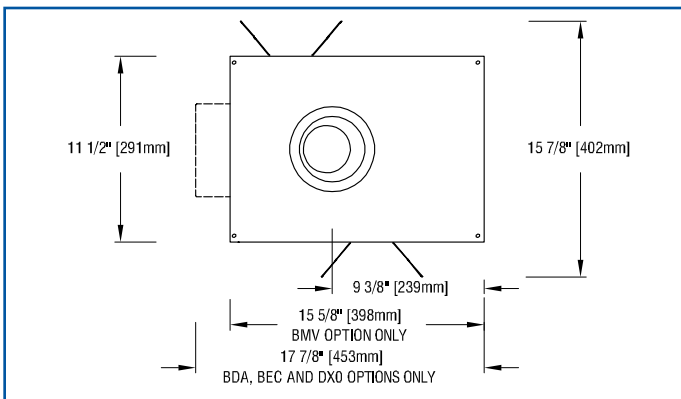
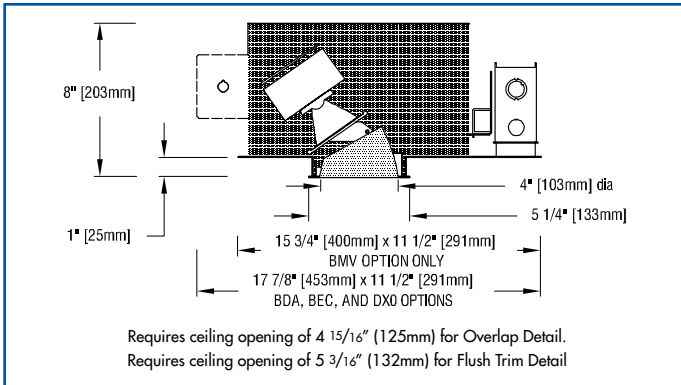


MOOD MASTER™/4 AA


recessed color tuning accent light



- Luminaire is commissioned by Lumenetix Araya Tunable Color 2.0 iOS app. Wireless commissioning of LED array and programming of Sceneset is done via an embedded Bluetooth radio. Tunable parameters include:
 - on / off
 - CCT range of 1650K to 8000K
 - dimming 100% to 0.1% at constant CCT
 - hue (defines color, i.e. red, orange, yellow, green...white)
 - saturation (defines the intensity of the color chosen)
- Luminaire may be equipped for use on a 3-wire circuit controlled by one of a number of dimming protocols.
- Luminaire provides 363° horizontal rotation and 0° - 35° angular adjustment with lockable focus. Precise reflector design minimizes aperture brightness.
- Luminaire includes an internal reflector to produce a 20° spot, 40° flood or 60° wide flood beam spread. To allow beam spread to be changed after installation, internal reflectors are also available as accessories.
- Luminaire accepts one or two of a number of [Optical Accessories](#). A complimentary prismatic lens is included.
- External reflectors are available in three clear natural aluminum finishes - semi-specular (C), slightly diffuse (V) or fully diffuse (EC) - as well as champagne gold or black Alzak®. Other finishes available on special order. A LightPlate trim may be used instead of an external reflector.
- Housing is constructed from 20-gauge electro-zinc, polyester-coated steel in Edison Price Lighting's American factory. Heavy-gauge metals and American manufacturing guarantee long-lasting durability.
- Luminaire includes a pair of mounting bars (3/4" x 27" C channel). Specialty bars for wood joists and T-bar installations are also available.
- For more information, [click here](#).

APPLICATIONS

Luminaire is suitable for interior spaces wherever control of the color and intensity of light will enhance the experience of the occupants.

Luminaire is  listed for Damp Location and is RoHS compliant. Luminaire is prewired with thermal protector, approved for ten #12 wire 90° branch circuit pull-through wiring, and suitable for use in a fire rated ceiling. Removal of the external reflector allows access to the junction box.

Mood Master/4 AA is a 4" aperture, color tuning accent light powered by a Lumenetix® araya® LED module that produces 90+CRI white light (within 2-step MacAdam ellipse).

PRODUCT CODE

For complete product code, list basic unit and select one item from each following box.

Basic Unit	FH-CTM2-4AA
Beam Spread Reflector	
20° spot.....	- 20D
40° flood	- 40D
60° wide flood.....	- 60D
Light Source Output	
1200 lumens	- L12
2000 lumens	- L20
Control Options	
Controlled by two 0-10V dimmers, one for CCT tuning and one for dimming to 1%	- BMV
Controlled by Lutron Ecosystem for CCT tuning and dimming to 1%	- BEC
Controlled by DALI controllers for CCT tuning and dimming to 1%	- BDA
Controlled by a DMX controller for CCT, hue and saturation tuning, and dimming to 0.1; equipped with two CAT5e connectors for "Daisy-Chain" control wire connections using CAT5e cables (150' max cable length) between controller and last fixture in chain.....	- DXO
Voltage	
120 volt service	- 120
277 volt service	- 277

Reflector Color and Detail	Overlap	Trim Flush*
Semi-specular clear	COL.....	CTF
Slightly diffuse Clear.....	VOL.....	VTF
Fully diffuse Clear.....	ECOL.....	ECTF
Champagne Gold	GOL.....	GTF
White	WOL.....	WTF
Black	BOL.....	BTF

Standard reflector flange continues reflector finish. White painted flanges and custom painted flanges are available on special order. Add WF (white flange) or CCF (custom color flange).

*Trim Flush reflector trim requires the use of a plaster ring Accessory (see below).

► Reflectors detailed for metal or wood ceilings available on special order.
LightPlates may be ordered instead of the standard reflectors above (see next page).

LightPlate Downlight Spot, white	DP-OL	DP-TF
LightPlate Accent Spot, white	AP-OL	AP-TF
LightPlate Accent Slot, white	AL-OL	AL-TF

Custom painted trims for LightPlate are available on special order. Add -CC

EXTRA REFLECTORS Specify as separate line items.

20° spot reflector	CTM2-REF20-72
40° flood reflector	CTM2-REF40-72
60° wide flood reflector	CTM2-REF60-70

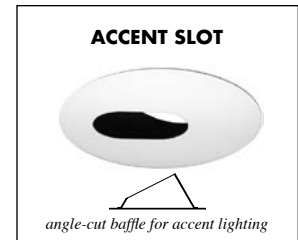
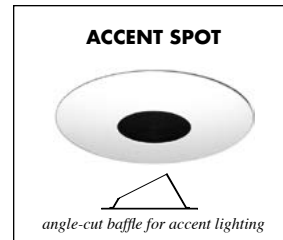
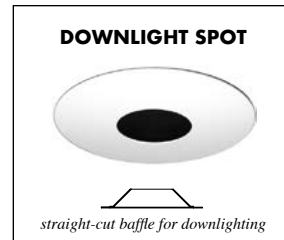
ACCESSORIES Specify as separate line item.

Plaster ring allows use of 4 7/8" OD Trim Flush (TF) reflector in sheetrock ceiling; 5 3/16" dia hole required	- TF RING/4
--	-------------

OPTICAL ACCESSORIES ▼ See next page



LIGHTPLATES LightPlates may be used instead of standard reflectors.



OPTICAL ACCESSORIES Specify as separate line

All are 3 3/4" (95mm) diameter.

prismatic lens (Solite)	<i>included with fixture</i>	PLS/3.75
55° spread lens		LENS/3.75
40° x 70° spread lens		LENS/3.75-4070
33% light reduction screen		SCR33/3.75
50% light reduction screen		SCR50/3.75

color filters

surprise pink	PNK/3.75
daylight blue	DAY/3.75
amber	AMB/3.75
blue	BLU/3.75
green	GRN/3.75
red	RED/3.75

DRIVER INFORMATION (UL Class 2, dry and damp location)

<i>Voltage</i>	120	277
Max. Input Watts (2000 lumens/1200 lumens)	33/22	33/22
Max. Input Current (A) (2000 lumens/1200 lumens)	.28/.18	.12/.08
Min. Power Factor	>0.9	>0.9
Operating Temperature Range (F)	-4 to 122	-4 to 122

REFLECTOR COLOR MULTIPLIERS

Semi-specular clear (C)	1
Slightly diffuse clear (V)	.95
Fully diffuse clear (EC)	.88
Champagne gold clear (G)	.95
Black (B)	.49

LIGHT OUTPUT MULTIPLIER

(Based on 2000 lumens LED)

LED Light Engine	Light Output Multiplier
2000 Lumens	1
1200 Lumens	0.62*

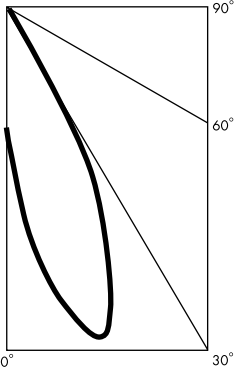
*estimated values

– photometrics continued below –

PHOTOMETRIC REPORT with 20° reflector (TESTED PER IESNA LM-79-2008)

Prorated from Leading Testing Laboratories Report No. 192373. Original test report furnished upon request.

Luminaire recessed LED round accent downlight
 Lamp Lumenix CTM2 LED Engine, 2000 lumens, 90+ CRI, with 20° beam spread integral reflector
 Lamp Life rated 50,000 hours based on L70/B50 criteria. LM80 report by LED manufacturer furnished upon request



CANDLEPOWER DISTRIBUTION (Candela)

Vertical Angle	Horizontal Angle				
	0	45	90	135	180
0	1981	1981	1981	1981	1981
5	3446	2761	1864	1416	1260
15	5422	1083	992	374	200
25	2954	1797	683	138	25
35	502	44	6	6	5
45	5	4	2	2	2
55	2	2	1	1	1
65	1	1	0	0	0
75	0	0	0	0	0
85	0	0	0	0	0
90	0	0	0	0	0

LUMINAIRE LIGHT OUTPUT AND EFFICACY

(20° beam spread integral reflector)

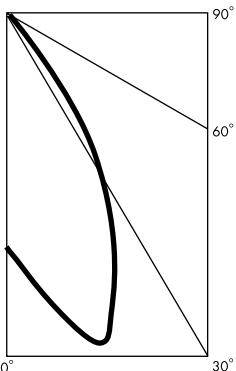
LED Light Engine	Luminaire Light Output	Luminaire Efficacy (lms/watt)	System Wattage
2000 Lumens	1085	40	33
1200 Lumens	673*	42*	22

*estimated values

PHOTOMETRIC REPORT with 40° reflector (TESTED PER IESNA LM-79-2008)

Prorated from Leading Testing Laboratories Report No. 192374. Original test report furnished upon request.

Luminaire recessed LED round accent downlight
 Lamp Lumenix CTM2 LED Engine, 2000 lumens, 90+ CRI, with 40° beam spread integral reflector
 Lamp Life rated 50,000 hours based on L70/B50 criteria. LM80 report by LED manufacturer furnished upon request



CANDLEPOWER DISTRIBUTION (Candela)

Vertical Angle	Horizontal Angle				
	0	45	90	135	180
0	2067	2067	2067	2067	2067
5	2380	2248	2049	1776	1704
15	3020	2426	1442	680	488
25	2190	1452	333	61	49
35	945	394	27	6	5
45	197	40	2	1	2
55	10	2	1	1	1
65	1	0	0	0	0
75	0	0	0	0	0
85	0	0	0	0	0
90	0	0	0	0	0

LUMINAIRE LIGHT OUTPUT AND EFFICACY

(40° beam spread integral reflector)

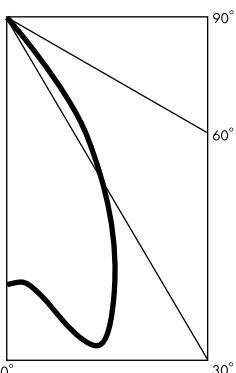
LED Light Engine	Luminaire Light Output	Luminaire Efficacy (lms/watt)	System Wattage
2000 Lumens	1140	42	33
1200 Lumens	707*	44*	22

*estimated values

PHOTOMETRIC REPORT with 60° reflector (TESTED PER IESNA LM-79-2008)

Prorated from Leading Testing Laboratories Report No. 192375. Original test report furnished upon request.

Luminaire recessed LED round accent downlight
 Lamp Lumenix CTM2 LED Engine, 2000 lumens, 90+ CRI, with 60° beam spread integral reflector
 Lamp Life rated 50,000 hours based on L70/B50 criteria. LM80 report by LED manufacturer furnished upon request



CANDLEPOWER DISTRIBUTION (Candela)

Vertical Angle	Horizontal Angle				
	0	45	90	135	180
0	1767	1767	1767	1767	1767
5	1745	1821	1844	1733	1677
15	2230	2070	1503	833	645
25	1642	1277	300	30	29
35	821	299	7	7	7
45	3	4	2	2	2
55	1	2	1	2	1
65	1	0	0	0	0
75	0	0	0	0	0
85	0	0	0	0	0
90	0	0	0	0	0

LUMINAIRE LIGHT OUTPUT AND EFFICACY

(60° beam spread integral reflector)

LED Light Engine	Luminaire Light Output	Luminaire Efficacy (lms/watt)	System Wattage
2000 Lumens	969	36	33
1200 Lumens	601*	38*	22

*estimated values