

Project

Type



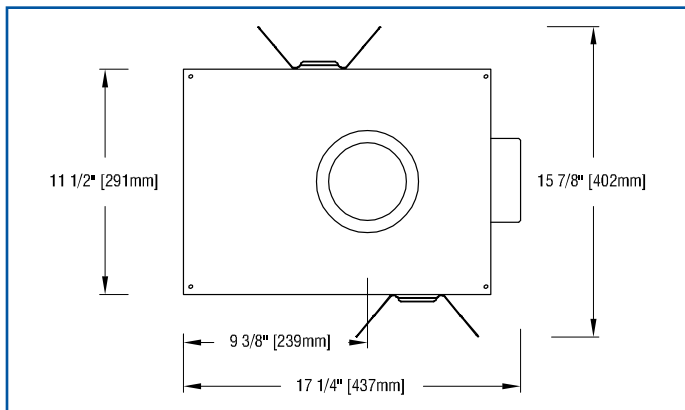
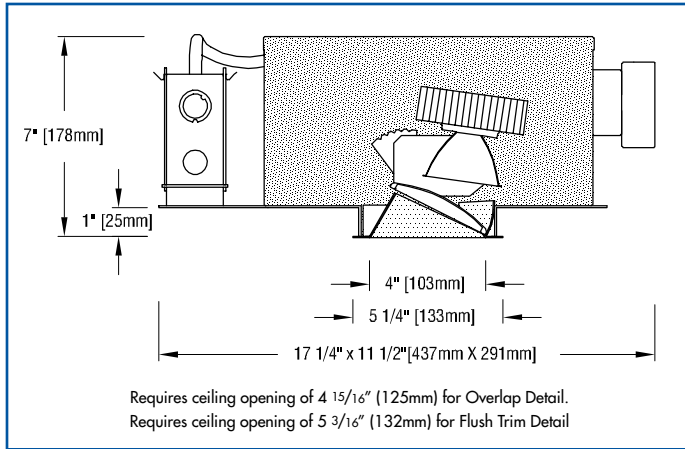
Date

Product Code

Designer

FOUR HI TUNE WL

recessed tunable white wallwasher



- Luminaire includes a Bridgelux Vesta Tunable White COB LED and may be controlled by one of a number of protocols; see 'Control Options' box on this page. Tunable parameters include:
 - on / off
 - CCT range of 2700K to 6500K
 - dimming 100% to 0.1% at constant CCT
- The optical assembly consists of two internal reflectors and a 40° x 70° glass spread lens. Assembly may be rotated 363°, oriented as desired and locked in place. Precise design provides uniform illumination on vertical surfaces up to the ceiling line and minimizes aperture brightness.
- Reflectors are available in three clear natural aluminum finishes — semi-specular (C), — slightly diffuse (V) or fully diffuse (EC) — as well as champagne gold or black Alzak®. Other finishes available on special order.
- Luminaire includes a pair of mounting bars (3/4" x 27" C channel). Specialty bars for wood joists and T-bar installations are also available.
- For more information, [click here](#).

APPLICATIONS

Luminaire is listed for Damp Location and is RoHS compliant. Luminaire is prewired with thermal protector, approved for eight #12 wire 90° branch circuit pull-through wiring, and suitable for use in a fire rated ceiling. Removal of the reflector allows access to the junction box.



Four High Tune WL is a 4" aperture, tunable white wallwasher powered by a Bridgelux® Vesta chip-on-board LED module that produces 90+CRI white light between 2700K and 6500K. See tables below for wattages and efficacies.

PRODUCT CODE

For complete product code, list basic unit and select one item from each following box.

Basic Unit	FH-BTS-WL-4	
Light Source Output		
1300 lumens / 90+ CRI	L13	
1800 lumens / 90+ CRI	L18	
2300 lumens / 90+ CRI	L23	
Control Options		
EldoLED 2-channel 0-10V driver, pre-set in logarithmic control curve, dims to 0.1% using two 0-10V dimmers (one dims, one controls CCT)	- DVOELG	
EldoLED 2-channel 0-10V driver, pre-set in linear control curve, dims to 0.1% using two 0-10V dimmers (one dims, one controls CCT)	- DVOELN	
EldoLED 2-channel DALI driver, dims to 0.1% and controls CCT by DALI control devices	- DAO-EL	
Dim to 0.1% and control CCT with Casambi App on iOS or Android device, downloadable from Apple App Store or Google Play Store	- BEO-CB	
Voltage		
120 volt service	- 120	
277 volt service	- 277	
Reflector Color and Detail	<i>Overlap</i>	<i>Trim Flush*</i>
Semi-specular clear	COL.....	CTF
Slightly diffuse Clear	VOL.....	VTF
Fully diffuse Clear	ECOL.....	ECTF
Champagne Gold	GOL.....	GTF
White	WOL.....	WTF
Black	BOL.....	BTF
Other reflector finishes available on special order.		
Standard reflector flange continues reflector finish. White painted flanges and custom painted flanges are available on special order. Add WF (white flange) or CCF (custom color flange).		
*Trim Flush reflector trim requires the use of a plaster ring Accessory (see below).		
▶ Reflectors detailed for metal or wood ceilings available on special order.		

ACCESSORIES Specify as separate line item.

Plaster ring allows use of 4 7/8" OD Trim Flush (-TF) reflector in sheetrock ceiling: 5 3/16" dia hole required	- TF RING/4
--	-------------



PHOTOMETRIC REPORT (TESTED PER IESNA LM-79-2008)

Prorated from Leading Testing Laboratories Report No. UT18080004-04a. Original test report furnished upon request.

Luminaire recessed LED round lensed wallwasher with 56° beam spread integral reflector and semi-specular clear aluminum reflector
 Lamp BRIDGELUX TW 13mm COB LED, 2300 lumens (tested at 4000K CCT)
 Lamp Life rated 50,000 hours based on L70/B50 criteria. LM80 report by LED manufacturer furnished upon request

WALLWASH INFORMATION

Distance From Ceiling (Feet)	2' From Wall; 2' O.C.		2' 6" From Wall; 2' 6" O.C.		3' From Wall; 3' O.C.	
	Below Fixture	Between Fixtures	Below Fixture	Between Fixtures	Below Fixture	Between Fixtures
1	26	24	13	12	7	7
2	47	46	26	25	16	15
3	49	48	32	31	21	20
4	38	38	29	30	22	22
5	28	28	24	24	20	20
6	21	21	18	19	16	17
7	15	15	14	15	13	14
8	11	11	11	12	11	11
9	9	9	9	9	9	9
10	7	7	7	7	7	7
11			6	6	6	6
12					5	5

All vertical footcandles are initial values with no contribution from walls, ceiling or floor reflectances. Computation performed with a total of ten wallwashers.

LUMINAIRE LIGHT OUTPUT AND EFFICACY

LED Light Engine	Luminaire Light Output	Luminaire Efficacy (lms/watt)	System Wattage
L23 (2300 lumens 90 CRI)	924	32	29
L18 (1800 lumens 90 CRI)	739*	34*	22
L13 (1300 lumens 90 CRI)	536*	33*	16

*estimated values

DRIVER INFORMATION (UL Class 2, dry and damp location)

Voltage	120	277
Input Watts (L23/L18/L13 Lumens)	29/22/16	29/22/16
Input Current (L23/L18/L13 Lumens)	.24/.18/.13	.10/.08/.06
Min. Power Factor	>0.9	>0.9
Operating Temperature Range (F)	-4 to 122	-4 to 122

REFLECTOR COLOR MULTIPLIERS

Semi-specular clear (C)	1
Slightly diffuse clear (V)	.95
Fully diffuse clear (EC)	.88
Champagne gold clear (G)	.95
Black (B)	.49

COLOR TEMPERATURE MULTIPLIER (CCT)

Color Temperature	Multiplier
2700K	0.85
3000K	0.89
3500K	0.96
4000K	1
5000K	1.02
5700K	1.01
6000K	1
6500K	1

LIGHT OUTPUT MULTIPLIER

(Based on 4000 lumens LED)

LED Light Engine	Light Output Multiplier
L23 (2300 lumens 90 CRI)	1
L18 (1800 lumens 90 CRI)	0.8*
L13 (1300 lumens 90 CRI)	0.58*

*estimated values