

Project

Type



MADE IN USA

Click Here

Date

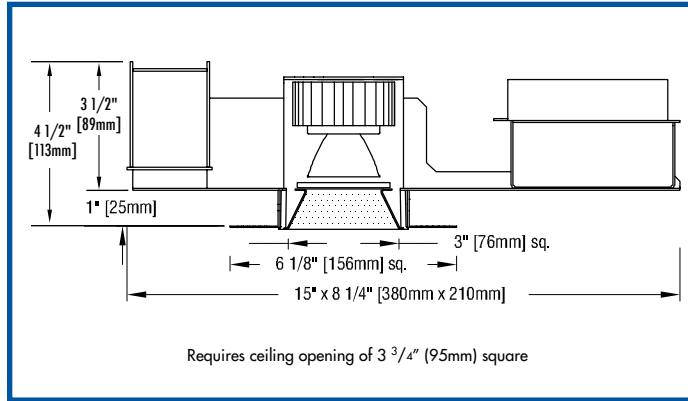
Product Code

Designer

PRIM SQUARE DL/3

recessed square trimless LED downlight

FULLY SUSTAINABLE – FULLY SUSTAINABLE – FULLY SUSTAINABLE – FULLY SUSTAINABLE – FULLY SUSTAINABLE – FULLY SUSTAINABLE – FULLY SUSTAINABLE

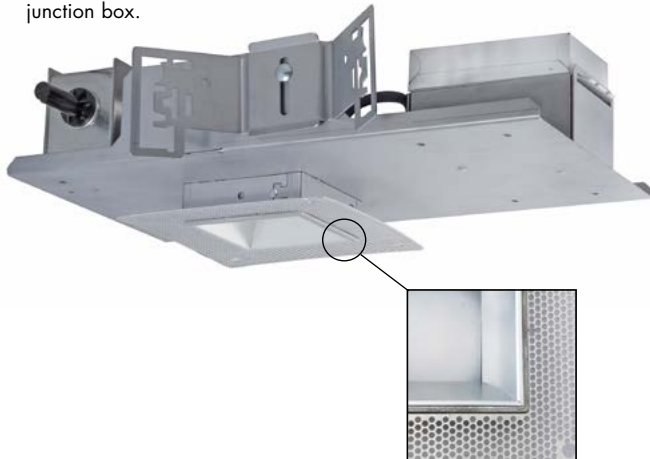


FEATURES

- **PRIM SQUARE DL/3 is a 3" trimless square LED downlight.** Luminaire is powered by one of a number of Xicato XTM (19mm) LED modules, distinguished by extraordinary color consistency (within 1x2-step MacAdam ellipse). See below for wattages and efficacies.
- **Luminaire is exclusively designed for installation in sheet rock** to achieve a flush trim detail. Installation includes the application of drywall compound over the luminaire's integral spackle screen to the rim of its integral plaster ring.
- **Luminaire overall depth is 4 1/2"** (housing depth of 3 1/2" plus a 1" throat)
- **Luminaire employs an internal 'twist and lock' reflector** to produce an initial beamspread of 36° or 54°. To allow beamspread to be changed in installed luminaires, internal reflectors are available as accessories.
- **External reflector is designed to accept** either a Solite-pattern prismatic lens (-PRS) or a diffuse lens (-DIF) mounted in the top aperture. A wide distribution is produced by a combination of a 20° internal reflector and a diffuse lens (-DIF). External reflectors are available in two clear natural aluminum finishes – slightly diffuse (V) or fully diffuse (EC) – as well as black and white.
- **Luminaire includes a pair of 3/4" x 27" C channel mounting bars.** Specialty bars for wood joist and T-bar installations are also available.
- **For more information, click here.**

APPLICATIONS

Fixture is listed for Damp Location. Fixture is prewired with thermal protector and approved for eight #12 wire 90° branch circuit pull-through wiring. Removal of the external reflector trim allows access to the LED module and junction box.



PRODUCT CODE

For complete product code, list basic unit and select one item from each following box.

Basic Unit	P3-XTM-DL
Driver Choose one.	
dimmable to 1% by a 0-10V dimmer on 120 or 277-volt service	DMV
dimmable to 5% or 10% (see Lumen Source Output box below) by either an incandescent or ELV dimmer; 120-volt service only	DMP
eldoLED 0-10V (Logarithmic) driver dimmable to 0.1% with a 0-10V dimmer on 120 or 277-volt service	DVOELG
eldoLED 0-10V (Linear) driver dimmable to 0.1% with a 0-10V dimmer on 120 or 277-volt service	DVOELN
eldoLED driver dimmable to 0.1%, compatible with DALI control system	DA0-EL
Moons' driver dimmable to 0.1%, compatible with DMX controllers	DX0

Light Source Output (Lumens) Choose one.	
700L / CRI 98 Artist.....	DMP(10%) - L07A
1000L / CRI 98	DMP(5%) - L10A
1400L / CRI 98	DMP(5%) - L14A
1000L / CRI 90 Designer.....	DMP(5%) - L10H
1300L / CRI 90	DMP(5%) - L13H
1600L / CRI 90	DMP(5%) - L16H
1000L / CRI 80+ Vibrant.....	DMP(10%) - L10V
1300L / CRI 80+	DMP(10%) - L13V
1600L / CRI 80+	DMP(5%) - L16V
1000L / CRI 80+ standard.....	DMP(10%) - L10S
1300L / CRI 80+	DMP(10%) - L13S
1600L / CRI 80+	DMP(5%) - L16S
Vibrant available in 3000K only Designer available in 2700K and 3000K	

Light Color Choose one.	
2700 K.....	- 27K
3000 K.....	- 30K
3500 K.....	- 35K
4000 K.....	- 40K

Internal Reflector Choose one.	
36° initial beamspread	- 36D
54° initial beamspread	- 54D

Voltage Choose one.	
120 volt service	- 120
277 volt service	- 277

External Reflector Lens Choose one.	
Solite prismatic lens See three photometric reports below	- PRS
Diffuse lens	- DIF

External Reflector Color Choose one.	
Slightly diffuse Clear	VTL
Fully diffuse Clear	ECTL
Black.....	BTL
White.....	WTL

EXTRA REFLECTORS Specify as separate line items.	
36° initial beamspread	XTM-REF36-50
54° initial beamspread	XTM-REF54-50

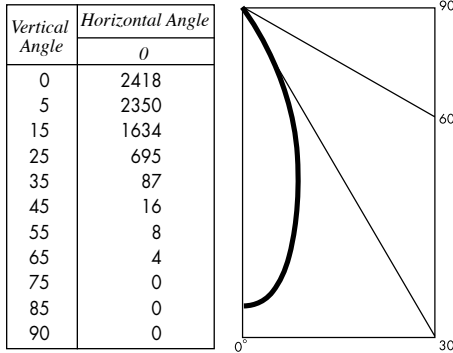


PHOTOMETRIC REPORT with 36° reflector and prismatic lens (PRS) (tested per IESNA LM-79-2008)

Verification Services Report No. 11729420.04. Original test report furnished upon request.

Luminaire recessed LED square downlight with semi-specular clear aluminum reflector covered with prismatic lens (PRS)
 Light Source one white Xicato XTM 19mm LES LED with 36° beam spread integral reflector, 3000K CCT, 80 CRI, 1600 lumens
 Lamp Life rated 50,000 hours based on L70/B50 criteria. LM80 report by LED manufacturer furnished upon request
 Spacing Criteria 0.63

CANDLEPOWER DISTRIBUTION (Candela)



LUMINANCE DATA

Vertical Angle	Candelalm ²
45	3797
55	2492
65	1833
75	138
85	180

ZONAL LUMEN SUMMARY

Zone	Lumens	% Fixture
0- 40°	1122	97.6
0- 60°	1147	99.7
0- 90°	1150	100.0
90-180°	0	0.0

LUMINAIRE LIGHT OUTPUT AND EFFICACY

LED Light Engine	Luminaire Light Output	Luminaire Efficacy (lms/watt)	System Wattage
700 Lumens Artist	523*	52*	10
1000 Lumens Artist	700*	54*	13
1400 Lumens Artist	981*	61*	16
1000 Lumens Designer	700*	58*	12
1300 Lumens Designer	943*	59*	16
1600 Lumens Designer	1150*	71*	16
1000 Lumens standard & Vibrant	700*	70*	10
1300 Lumens standard & Vibrant	943*	67*	14
1600 Lumens standard & Vibrant	1150	71	16

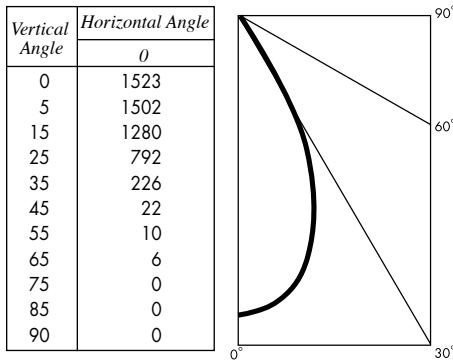
*estimated values

PHOTOMETRIC REPORT with 54° reflector and prismatic lens (PRS) (tested per IESNA LM-79-2008)

Verification Services Report No. 11729420.02. Original test report furnished upon request.

Luminaire recessed LED square downlight with semi-specular clear aluminum reflector covered with prismatic lens (PRS)
 Light Source one white Xicato XTM 19mm LES LED with 54° beam spread integral reflector, 3000K CCT, 80 CRI, 1600 lumens
 Lamp Life rated 50,000 hours based on L70/B50 criteria. LM80 report by LED manufacturer furnished upon request
 Spacing Criteria 0.82

CANDLEPOWER DISTRIBUTION (Candela)



LUMINANCE DATA

Vertical Angle	Candelalm ²
45	5322
55	3086
65	2376
75	204
85	214

ZONAL LUMEN SUMMARY

Zone	Lumens	% Fixture
0- 40°	1086	95.2
0- 60°	1137	99.7
0- 90°	1141	100.0
90-180°	0	0.0

LUMINAIRE LIGHT OUTPUT AND EFFICACY

LED Light Engine	Luminaire Light Output	Luminaire Efficacy (lms/watt)	System Wattage
700 Lumens Artist	518*	52*	10
1000 Lumens Artist	694*	53*	13
1400 Lumens Artist	973*	61*	16
1000 Lumens Designer	694*	58*	12
1300 Lumens Designer	935*	58*	16
1600 Lumens Designer	1140*	70*	16
1000 Lumens standard & Vibrant	694*	69*	10
1300 Lumens standard & Vibrant	935*	67*	14
1600 Lumens standard & Vibrant	1140	70	16

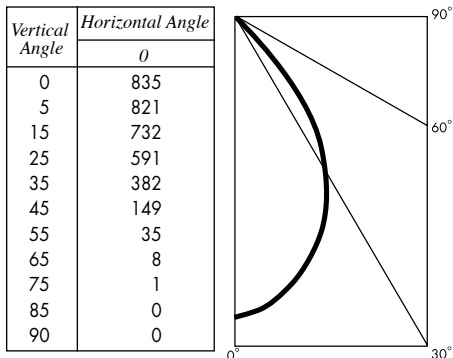
*estimated values

PHOTOMETRIC REPORT with 36° reflector and diffuser (DIF) (tested per IESNA LM-79-2008)

Verification Services Report No. 11729420.05. Original test report furnished upon request.

Luminaire recessed LED square downlight with slightly diffuse clear aluminum reflector covered with diffuser (DIF)
 Light Source one white Xicato XTM 19mm LES LED with 36° beam spread integral reflector, 3000K CCT, 80 CRI, 1600 lumens
 Lamp Life rated 50,000 hours based on L70/B50 criteria. LM80 report by LED manufacturer furnished upon request
 Spacing Criteria 0.97

CANDLEPOWER DISTRIBUTION (Candela)



LUMINANCE DATA

Vertical Angle	Candelalm ²
45	36220
55	10380
65	3065
75	413
85	473

ZONAL LUMEN SUMMARY

Zone	Lumens	% Fixture
0- 40°	783	80.9
0- 60°	959	99.1
0- 90°	967	100.0
90-180°	0	0.0

LUMINAIRE LIGHT OUTPUT AND EFFICACY

LED Light Engine	Luminaire Light Output	Luminaire Efficacy (lms/watt)	System Wattage
700 Lumens Artist	440*	44*	10
1000 Lumens Artist	589*	45*	13
1400 Lumens Artist	825*	52*	16
1000 Lumens Designer	589*	49*	12
1300 Lumens Designer	793*	50*	16
1600 Lumens Designer	967*	59*	16
1000 Lumens standard & Vibrant	589*	59*	10
1300 Lumens standard & Vibrant	793*	57*	14
1600 Lumens standard & Vibrant	967	59	16

*estimated values

STANDARD DMV DRIVER INFORMATION (UL Class 2, dry and damp location)

Voltage	120	277
Input Watts (L07A/L10A/L14A/L10H/ L13H/16H/L10S&V/L13S&V/L16S&V)	10/13/16/12/16/16/10/14/16	10/13/16/12/16/16/10/14/16
Input Current (A) (L07A/L10A/L14A/L10H/ L13H/16H/L10S&V/L13S&V/L16S&V)	.08/11/13/10/13/13/08/12/13	.04/05/06/04/06/06/04/05/06
Output Current (mA)	350-700	350-700
Min. Power Factor	.99	.99
Operating Temperature Range (F)	-13 to 122	-13 to 122

REFLECTOR COLOR MULTIPLIERS

Slightly diffuse clear (V)	1
Fully diffuse clear (EC)	.90
Champagne gold clear (G)	1
Specular White	.70
Black (B)	.40

LIGHT OUTPUT MULTIPLIER

LED Light Engine	Light Output Multiplier
700 Lumens Artist	0.45*
1000 Lumens Artist	0.61*
1400 Lumens Artist	0.85*
1000 Lumens Designer	0.61*
1300 Lumens Designer	0.82*
1600 Lumens Designer	1*
1000 Lumens standard & Vibrant	0.61*
1300 Lumens standard & Vibrant	0.82
1600 Lumens standard & Vibrant	1

*estimated values