

Project

Type



Date

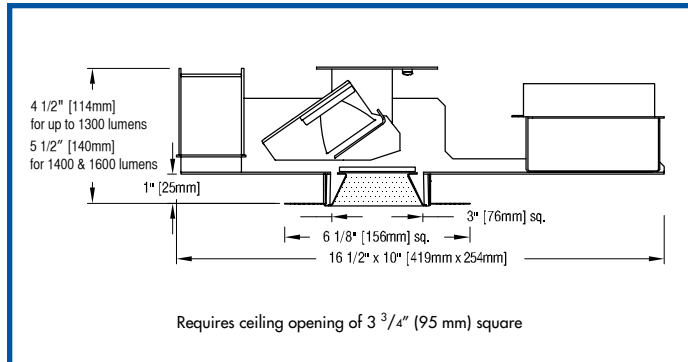
Product Code

Designer

PRIM SQUARE AA/3

recessed square trimless LED accent light

FULLY SUSTAINABLE – FULLY SUSTAINABLE – FULLY SUSTAINABLE – FULLY SUSTAINABLE – FULLY SUSTAINABLE – FULLY SUSTAINABLE – FULLY SUSTAINABLE

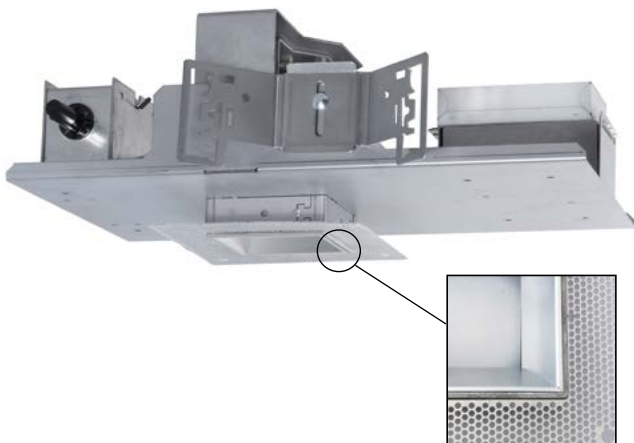


FEATURES

- **PRIM SQUARE AA/3 is a 3" trimless square LED accent light.** Luminaire is powered by one of a number of Xicato XTM (19mm) LED modules, distinguished by extraordinary color consistency (within 1x2-step MacAdam ellipse). See below for wattages and efficacies.
- **Luminaire is exclusively designed for installation in sheet rock** to achieve a flush trim detail. Installation includes the application of drywall compound over the luminaire's integral spackle screen to the rim of its integral plaster ring.
- **Luminaire overall depth is 4 1/2" or 5 1/2"** (see drawing).
- **Luminaire employs an internal 'twist and lock' reflector** to produce an initial beamspread of 36° or 54°. To allow beamspread to be changed in installed luminaires, internal reflectors are available as accessories.
- **Luminaire provides full circle rotation and 0 - 35 angular adjustment.** Once focused, adjustment may be locked by means of a thumb screw and a wing nut.
- **External reflector is designed to accept** either a Solite-pattern prismatic lens (-PRS) or a clear glass (-GLS) mounted in the top aperture. External reflectors are available in two clear natural aluminum finishes – slightly diffuse (V) or fully diffuse (EC) – as well as black and white.
- **Luminaire includes a pair of 3/4" x 27" C channel mounting bars.** Specialty bars for wood joist and T-bar installations are also available.
- **For more information, [click here](#).**

APPLICATIONS

Fixture is listed for Damp Location. Fixture is prewired with thermal protector and approved for eight #12 wire 90° branch circuit pull-through wiring. Removal of the external reflector trim allows access to the LED module and junction box.



PRODUCT CODE

For complete product code, list basic unit and select one item from each following box.

Basic Unit.....	P3-XTM-A
Driver <i>Choose one.</i>	
dimmable to 1% by a 0-10V dimmer on 120 or 277-volt service	DMV
dimmable to 5% or 10% (see Lumen Source Output box below) by either an incandescent or ELV dimmer; 120-volt service only	DMP
eldoLED 0-10V (Logarithmic) driver dimmable to 0.1% with a 0-10V dimmer on 120 or 277-volt service	DVOELG
eldoLED 0-10V (Linear) driver dimmable to 0.1% with a 0-10V dimmer on 120 or 277-volt service	DVOELN
eldoLED driver dimmable to 0.1%, compatible with DALI control system	DAO-EL
Moons' driver dimmable to 0.1%, compatible with DMX controllers	DXO

Light Source Output (Lumens) <i>Choose one.</i>	
700L / CRI 98 Artist.....	DMP(10%) - L07A
1000L / CRI 98	DMP(5%) - L10A
1400L / CRI 98	DMP(5%) - L14A
1000L / CRI 90 Designer.....	DMP(5%) - L10H
1300L / CRI 90	DMP(5%) - L13H
1600L / CRI 90	DMP(5%) - L16H
1000L / CRI 80+ Vibrant.....	DMP(10%) - L10V
1300L / CRI 80+	DMP(10%) - L13V
1600L / CRI 80+	DMP(5%) - L16V
1000L / CRI 80+ standard.....	DMP(10%) - L10S
1300L / CRI 80+	DMP(10%) - L13S
1600L / CRI 80+	DMP(5%) - L16S
Vibrant available in 3000K only Designer available in 2700K and 3000K	

Light Color <i>Choose one.</i>	
2700 K.....	- 27K
3000 K.....	- 30K
3500 K.....	- 35K
4000 K.....	- 40K

Internal Reflector <i>Choose one.</i>	
36° initial beamspread	- 36D
54° initial beamspread	- 54D

Voltage <i>Choose one.</i>	
120 volt service	- 120
277 volt service	- 277

External Reflector Lens <i>Choose one.</i>	
Solite prismatic lens	- PRS
Clear glass	- GLS

External Reflector Color <i>Choose one.</i>	
Slightly diffuse Clear	VTL
Fully diffuse Clear	ECTL
Black.....	BTL
White.....	WTL

EXTRA REFLECTORS <i>Specify as separate line items.</i>	
36° initial beamspread	XTM-REF36-50
54° initial beamspread	XTM-REF54-50

SPACING	
Eight models of this luminaire – L10A, L13H, L13S, L13V, L14A, L16H, L16S & L16V – must be spaced 24" apart and 2" from walls with 1/2" clearance above the housing.	

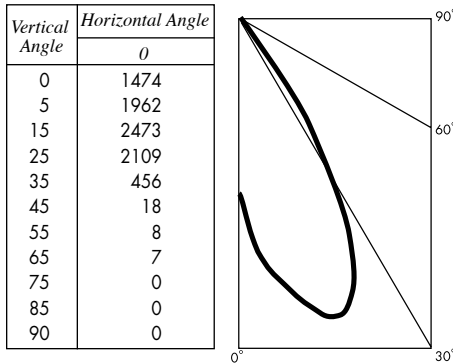


PHOTOMETRIC REPORT with 36° reflector and clear glass (GLS) (tested per IESNA LM-79-2008)

Verification Services Report No. 11729420.08. Original test report furnished upon request.

Luminaire recessed LED square accent light with slightly diffuse clear aluminum reflector covered with clear glass (GLS); LED aimed at 15° above vertical
 Light Source ... one white Xicato XTM 19mm LES LED with 36° beam spread integral reflector, 3000K CCT, 80 CRI, 1600 lumens
 Lamp Life rated 50,000 hours based on L70/B50 criteria. LM80 report by LED manufacturer furnished upon request

CANDLEPOWER DISTRIBUTION (Candela)



LUMINANCE DATA

Vertical Angle	Candelalm ²
45	4414
55	2354
65	2662
75	189
85	512

ZONAL LUMEN SUMMARY

Zone	Lumens	% Fixture
0- 40°	656	98.0
0- 60°	666	99.5
0- 90°	669	100.0
90-180°	0	0.0

LUMINAIRE LIGHT OUTPUT AND EFFICACY

LED Light Engine	Luminaire Light Output	Luminaire Efficacy (lms/watt)	System Wattage
700 Lumens Artist	304*	30*	10
1000 Lumens Artist	407*	31*	13
1400 Lumens Artist	571*	36*	16
1000 Lumens Designer	407*	34*	12
1300 Lumens Designer	549*	34*	16
1600 Lumens Designer	669*	42*	16
1000 Lumens standard & Vibrant	407*	41*	10
1300 Lumens standard & Vibrant	549*	39*	14
1600 Lumens standard & Vibrant	669	42	16

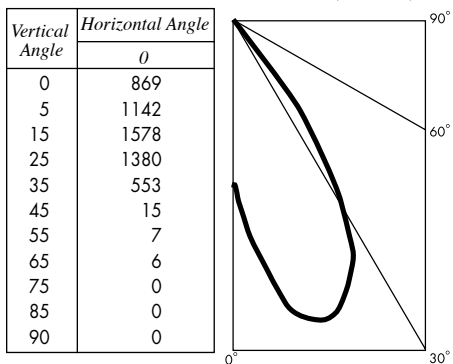
*estimated values

PHOTOMETRIC REPORT with 54° reflector and clear glass (GLS) (tested per IESNA LM-79-2008)

Verification Services Report No. 11729420.07. Original test report furnished upon request.

Luminaire recessed LED square accent light with slightly diffuse clear aluminum reflector covered with clear glass (GLS); LED aimed at 15° above vertical
 Light Source ... one white Xicato XTM 19mm LES LED with 54° beam spread integral reflector, 3000K CCT, 80 CRI, 1600 lumens
 Lamp Life rated 50,000 hours based on L70/B50 criteria. LM80 report by LED manufacturer furnished upon request

CANDLEPOWER DISTRIBUTION (Candela)



LUMINANCE DATA

Vertical Angle	Candelalm ²
45	3581
55	2222
65	2340
75	190
85	559

ZONAL LUMEN SUMMARY

Zone	Lumens	% Fixture
0- 40°	560	96.9
0- 60°	574	99.3
0- 90°	578	100.0
90-180°	0	0.0

LUMINAIRE LIGHT OUTPUT AND EFFICACY

LED Light Engine	Luminaire Light Output	Luminaire Efficacy (lms/watt)	System Wattage
700 Lumens Artist	263*	26*	10
1000 Lumens Artist	352*	27*	13
1400 Lumens Artist	493*	31*	16
1000 Lumens Designer	352*	29*	12
1300 Lumens Designer	474*	30*	16
1600 Lumens Designer	578*	36*	16
1000 Lumens standard & Vibrant	352*	35*	10
1300 Lumens standard & Vibrant	474*	34*	14
1600 Lumens standard & Vibrant	578	36	16

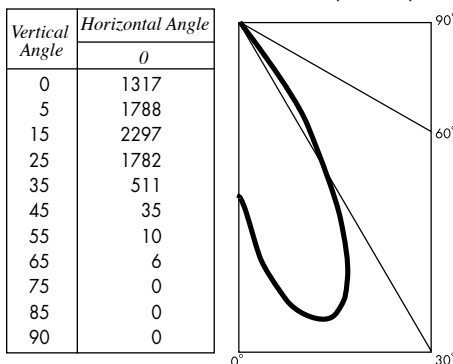
*estimated values

PHOTOMETRIC REPORT with 36° reflector and prismatic lens (PRS) (tested per IESNA LM-79-2008)

Verification Services Report No. 11729420.09. Original test report furnished upon request.

Luminaire recessed LED square accent light with slightly diffuse clear aluminum reflector covered with prismatic lens (PRS); LED aimed at 15° above vertical
 Light Source ... one white Xicato XTM 19mm LES LED with 36° beam spread integral reflector, 3000K CCT, 80 CRI, 1600 lumens
 Lamp Life rated 50,000 hours based on L70/B50 criteria. LM80 report by LED manufacturer furnished upon request

CANDLEPOWER DISTRIBUTION (Candela)



LUMINANCE DATA

Vertical Angle	Candelalm ²
45	8524
55	2993
65	2272
75	194
85	520

ZONAL LUMEN SUMMARY

Zone	Lumens	% Fixture
0- 40°	644	97.0
0- 60°	660	99.5
0- 90°	664	100.0
90-180°	0	0.0

LUMINAIRE LIGHT OUTPUT AND EFFICACY

LED Light Engine	Luminaire Light Output	Luminaire Efficacy (lms/watt)	System Wattage
700 Lumens Artist	302*	30*	10
1000 Lumens Artist	404*	31*	13
1400 Lumens Artist	566*	35*	16
1000 Lumens Designer	404*	34*	12
1300 Lumens Designer	544*	34*	16
1600 Lumens Designer	664*	41*	16
1000 Lumens standard & Vibrant	404*	40*	10
1300 Lumens standard & Vibrant	544*	39*	14
1600 Lumens standard & Vibrant	664	41	16

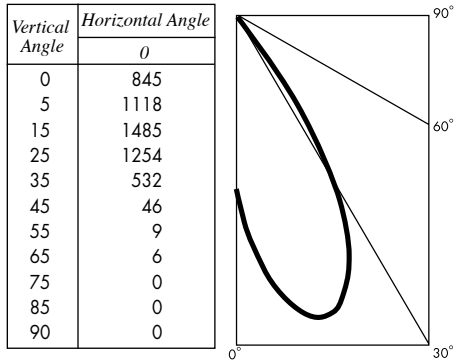
*estimated values

PHOTOMETRIC REPORT with 54° reflector and prismatic lens (PRS) (tested per IESNA LM-79-2008)

UL Verification Services Report No. 11729420.06 . Original test report furnished upon request.

Luminaire recessed LED square accent light with slightly diffuse clear aluminum reflector covered with prismatic lens (PRS); LED aimed at 15° above vertical
 Light Source ... one white Xicato XTM 19mm LES LED with 54° beam spread integral reflector, 3000K CCT, 80 CRI, 1600 lumens
 Lamp Life rated 50,000 hours based on L70/B50 criteria. LM80 report by LED manufacturer furnished upon request

CANDLEPOWER DISTRIBUTION (Candela)



LUMINANCE DATA

Vertical Angle	Candelam ²
45	11150
55	2709
65	2382
75	188
85	570

ZONAL LUMEN SUMMARY

Zone	Lumens	% Fixture
0- 40°	546	95.3
0- 60°	569	99.2
0- 90°	573	100.0
90-180°	0	0.0

LUMINAIRE LIGHT OUTPUT AND EFFICACY

LED Light Engine	Luminaire Light Output	Luminaire Efficacy (lms/watt)	System Wattage
700 Lumens Artist	260*	26*	10
1000 Lumens Artist	349*	27*	13
1400 Lumens Artist	489*	31*	16
1000 Lumens Designer	349*	29*	12
1300 Lumens Designer	470*	29*	16
1600 Lumens Designer	573*	35*	16
1000 Lumens standard & Vibrant	349*	35*	10
1300 Lumens standard & Vibrant	470*	34*	14
1600 Lumens standard & Vibrant	573	35	16

*estimated values

STANDARD DMV DRIVER INFORMATION (UL Class 2, dry and damp location)

Voltage	120	277
Input Watts (L07A/L10A/L14A/L10H/L13H/16H/L10S&V/L13S&V/L16S&V)	10/13/16/12/16/16/10/14/16	10/13/16/12/16/16/10/14/16
Input Current (A) (L07A/L10A/L14A/L10H/L13H/16H/L10S&V/L13S&V/L16S&V)	.08/11/13/10/13/13/08/12/13	.04/05/06/04/06/06/04/05/06
Output Current (mA)	350-700	350-700
Min. Power Factor	.99	.99
Operating Temperature Range (F)	-13 to 122	-13 to 122

REFLECTOR COLOR MULTIPLIERS

Slightly diffuse clear (V)	1
Fully diffuse clear (EC)	.90
Champagne gold clear (G)	1
Specular White	.70
Black (B)	.40

LIGHT OUTPUT MULTIPLIER

LED Light Engine	Light Output Multiplier
700 Lumens Artist	0.45*
1000 Lumens Artist	0.61*
1400 Lumens Artist	0.85*
1000 Lumens Designer	0.61*
1300 Lumens Designer	0.82*
1600 Lumens Designer	1*
1000 Lumens standard & Vibrant	0.61*
1300 Lumens standard & Vibrant	0.82
1600 Lumens standard & Vibrant	1

*estimated values