

Project

Type



Date

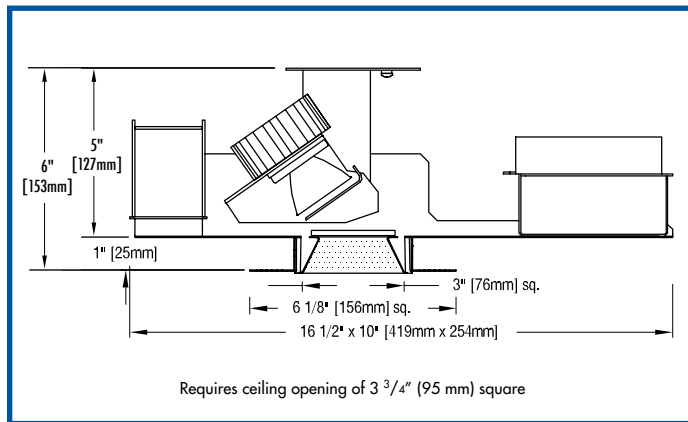
Product Code

Designer

PRIM SQUARE AA NSP/3

recessed square trimless LED narrow spot accent light

FULLY SUSTAINABLE – FULLY SUSTAINABLE – FULLY SUSTAINABLE – FULLY SUSTAINABLE – FULLY SUSTAINABLE – FULLY SUSTAINABLE – FULLY SUSTAINABLE

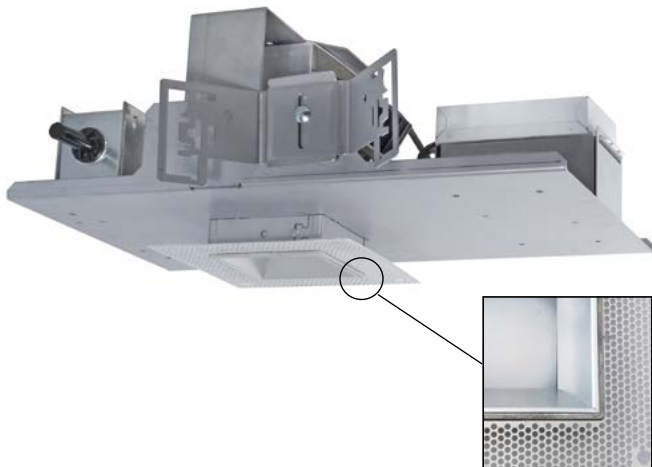


FEATURES

- **PRIM SQUARE AA NSP/3 is a 3" trimless square LED narrow spot accent light.** Luminaire is powered by one of a number of Xicato XTM (9mm) LED modules, distinguished by extraordinary color consistency (within 1x2-step MacAdam ellipse). See below for wattages and efficacies.
- **Luminaire is exclusively designed for installation in sheet rock** to achieve a flush trim detail. Installation includes the application of drywall compound over the luminaire's integral spackle screen to the rim of its integral plaster ring.
- **Luminaire overall depth is 6"** (housing depth of 5" plus a 1" throat).
- **Luminaire employs an internal 'twist and lock' internal reflector** to produce an initial beamspread of 14° or 24°. To allow beamspread to be changed in installed luminaires, internal reflectors are available as accessories.
- **Luminaire provides full circle rotation and 0 - 35 angular adjustment.** Once focused, adjustment may be locked by means of a thumb screw and a wing nut.
- **External reflector is designed to accept** either a Solite-pattern prismatic lens (-PRS) or a clear glass (-GLS) mounted in the top aperture. External reflectors are available in two clear natural aluminum finishes – slightly diffuse (V) or fully diffuse (EC) – as well as black and white.
- **Luminaire includes a pair of 3/4" x 27" C channel mounting bars.** Specialty bars for wood joist and T-bar installations are also available.
- **For more information, [click here](#).**

APPLICATIONS

Fixture is listed for Damp Location. Fixture is prewired with thermal protector and approved for eight #12 wire 90° branch circuit pull-through wiring. Removal of the external reflector trim allows access to the LED module and junction box.



PRODUCT CODE

For complete product code, list basic unit and select one item from each following box.

Basic Unit	P3-XTS-AA
Driver Choose one.	
dimmable to 1% by a 0-10V dimmer on 120 or 277-volt service	DMV
dimmable to 5% or 10% (see Lumen Source Output box below) by either an incandescent or ELV dimmer; 120-volt service only	DMP
eldoLED 0-10V (Logarithmic) driver dimmable to 0.1% with a 0-10V dimmer on 120 or 277-volt service	DVOELG
eldoLED 0-10V (Linear) driver dimmable to 0.1% with a 0-10V dimmer on 120 or 277-volt service	DVOELN
eldoLED driver dimmable to 0.1%, compatible with DALI control system	DA0-EL
Moons' driver dimmable to 0.1%, compatible with DMX controllers	DX0

Light Source Output (Lumens) Choose one.	
700L / CRI 98 Artist	DMP(5%)..... - L07A
700L / CRI 80+	DMP(10%)..... - L07S
700L / CRI 80+ Vibrant	3000K only..... - L07V
1000L / CRI 98 Artist	DMP(5%)..... - L10A
1000L / CRI 80+	DMP(5%)..... - L10S
1000L / CRI 80+ Vibrant	3000K only..... - L10V
1300L / CRI 80+	DMP(5%)..... - L13S
1300L / CRI 80+ Vibrant	3000K only..... - L13V

Light Color Choose one.	
2700 K	- 27K
3000 K	- 30K
3500 K	- 35K
4000 K	- 40K

Internal Reflector Choose one.	
14° initial beamspread	- 14D
24° initial beamspread	- 24D

Voltage Choose one.	
120 volt service	- 120
277 volt service	- 277

External Reflector Lens Choose one.	
Solite prismatic lens	- PRS
Clear glass	- GLS

External Reflector Color Choose one.	
Slightly diffuse Clear	VTL
Fully diffuse Clear	ECTL
Black	BTL
White	WTL

EXTRA REFLECTORS Specify as separate line items.

14° initial beamspread	XTM-REF14-50
24° initial beamspread	XTM-REF24-50

SPACING
Three models of this luminaire – L10A, L13S & L13V – must be spaced 24" apart and 2" from walls with 1/2" clearance above the housing.



PHOTOMETRIC REPORT with 14° reflector and clear glass (GLS) (tested per IESNA LM-79-2008)

Verification Services Report No. 11729420.13. Original test report furnished upon request.

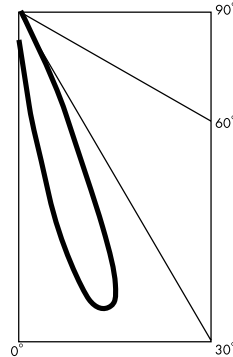
Luminaire recessed LED square narrow spot accent light with semi-specular clear aluminum reflector covered with clear glass (GLS); LED aimed at 15° above vertical

Light Source ... one white Xicato XTM 9mm LES LED with 14° beam spread integral reflector, 3000K CCT, 80 CRI, 1300 lumens

Lamp Life rated 50,000 hours based on L70/B50 criteria. LM80 report by LED manufacturer furnished upon request

CANDLEPOWER DISTRIBUTION (Candela)

Vertical Angle	Horizontal Angle				
	0	45	90	135	180
0	535	535	535	535	535
5	1602	1126	471	139	69
15	7720	1581	240	22	21
25	2167	420	26	13	16
35	107	34	9	5	9
45	17	8	4	2	5
55	9	2	3	1	5
65	8	1	1	1	3
75	0	0	0	0	0
85	0	0	0	0	0
90	0	0	0	0	0



LUMINAIRE LIGHT OUTPUT AND EFFICACY

	Luminaire Light Output	Luminaire CBCP	Luminaire Efficacy (lms/watt)	System Wattage
LED Light Engine				
700 Lumens Artist	366*	4274*	22*	17
1000 Lumens Artist	479*	5595*	24*	20
700 Lumens standard & Vibrant	379*	4429*	32*	12
1000 Lumens standard & Vibrant	505*	5906*	30*	17
1300 Lumens standard & Vibrant	665	7771	33	20

*estimated values

PHOTOMETRIC REPORT with 14° reflector and prismatic lens (PRS) (tested per IESNA LM-79-2008)

Verification Services Report No. 11729420.12. Original test report furnished upon request.

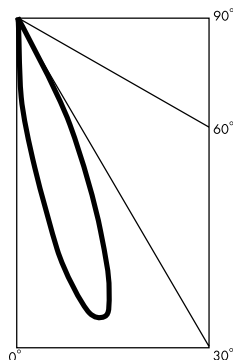
Luminaire recessed LED square narrow spot accent light with semi-specular clear aluminum reflector covered with prismatic lens (PRS); LED aimed at 15° above vertical

Light Source ... one white Xicato XTM 9mm LES LED with 14° beam spread integral reflector, 3000K CCT, 80 CRI, 1300 lumens

Lamp Life rated 50,000 hours based on L70/B50 criteria. LM80 report by LED manufacturer furnished upon request

CANDLEPOWER DISTRIBUTION (Candela)

Vertical Angle	Horizontal Angle				
	0	45	90	135	180
0	685	685	685	685	685
5	1742	1303	581	282	137
15	5000	1719	270	40	27
25	2432	597	59	17	17
35	325	90	12	7	10
45	26	12	5	3	5
55	10	3	4	1	5
65	7	1	1	1	4
75	0	0	0	0	0
85	0	0	0	0	0
90	0	0	0	0	0



LUMINAIRE LIGHT OUTPUT AND EFFICACY

	Luminaire Light Output	Luminaire CBCP	Luminaire Efficacy (lms/watt)	System Wattage
LED Light Engine				
700 Lumens Artist	356*	2761*	21*	17
1000 Lumens Artist	465*	3614*	23*	20
700 Lumens standard & Vibrant	369*	2861*	31*	12
1000 Lumens standard & Vibrant	491*	3815*	29*	17
1300 Lumens standard & Vibrant	647	5020	32	20

*estimated values

PHOTOMETRIC REPORTS CONTINUE BELOW



PHOTOMETRIC REPORT with 24° reflector and clear glass (GLS) (tested per IESNA LM-79-2008)

UL Verification Services Report No. 11729420.11. Original test report furnished upon request.

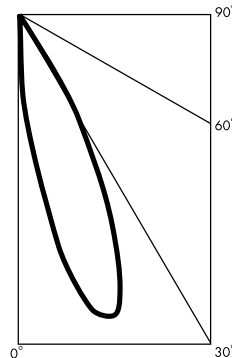
Luminaire recessed LED square narrow spot accent light with semi-specular clear aluminum reflector covered with clear glass (GLS); LED aimed at 15° above vertical

Light Source one white Xicato XTM 9mm LES LED with 24° beam spread integral reflector, 3000K CCT, 80 CRI, 1300 lumens

Lamp Life rated 50,000 hours based on L70/B50 criteria. LM80 report by LED manufacturer furnished upon request

CANDLEPOWER DISTRIBUTION (Candela)

Vertical Angle	Horizontal Angle				
	0	45	90	135	180
0	921	921	921	921	921
5	1800	1522	810	415	259
15	3935	1784	385	61	26
25	2439	674	52	13	14
35	303	67	9	6	8
45	16	8	4	2	5
55	7	2	3	1	5
65	6	1	2	1	3
75	0	0	0	0	0
85	0	0	0	0	0
90	0	0	0	0	0



LUMINAIRE LIGHT OUTPUT AND EFFICACY

	Luminaire Light Output	Luminaire CBCP	Luminaire Efficacy (lms/watt)	System Wattage
LED Light Engine				
700 Lumens Artist	360*	2186*	21*	17
1000 Lumens Artist	471*	2862*	24*	20
700 Lumens standard & Vibrant	373*	2266*	31*	12
1000 Lumens standard & Vibrant	497*	3021*	29*	17
1300 Lumens standard & Vibrant	654	3975	32	20

*estimated values

PHOTOMETRIC REPORT with 24° reflector and prismatic lens (PRS) (tested per IESNA LM-79-2008)

UL Verification Services Report No. 11729420.10. Original test report furnished upon request.

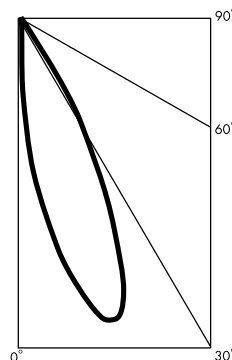
Luminaire recessed LED square narrow spot accent light with semi-specular clear aluminum reflector covered with prismatic lens (PRS); LED aimed at 15° above vertical

Light Source one white Xicato XTM 9mm LES LED with 24° beam spread integral reflector, 3000K CCT, 80 CRI, 1300 lumens

Lamp Life rated 50,000 hours based on L70/B50 criteria. LM80 report by LED manufacturer furnished upon request

CANDLEPOWER DISTRIBUTION (Candela)

Vertical Angle	Horizontal Angle				
	0	45	90	135	180
0	916	916	916	916	916
5	1640	1398	812	495	317
15	3081	1614	422	90	43
25	2100	749	98	20	17
35	486	147	15	8	9
45	43	16	5	3	5
55	9	3	4	1	5
65	6	1	2	1	4
75	0	0	0	0	0
85	0	0	0	0	0
90	0	0	0	0	0



LUMINAIRE LIGHT OUTPUT AND EFFICACY

	Luminaire Light Output	Luminaire CBCP	Luminaire Efficacy (lms/watt)	System Wattage
LED Light Engine				
700 Lumens Artist	350*	1704*	21*	17
1000 Lumens Artist	459*	2231*	23*	20
700 Lumens standard & Vibrant	363*	1766*	30*	12
1000 Lumens standard & Vibrant	484*	2355*	28*	17
1300 Lumens standard & Vibrant	637	3099	31	20

*estimated values

STANDARD DMV DRIVER INFORMATION (UL Class 2, dry and damp location)

Voltage	120	277
Input Watts (L07A/L10A/L07S&V/L10S&V/L13S&V)	17/20/12/17/20	17/20/12/17/20
Input Current (A) (L07A/L10A/L07S&V/L10S&V/L13S&V)	.14/.17/.10/.14/.17	.06/.07/.04/.06/.07
Output Current (mA)	350-700	350-700
Min. Power Factor	.99	.99
Operating Temperature Range (F)	-13 to 122	-13 to 122

LIGHT OUTPUT MULTIPLIER

LED Light Engine	Light Output Multiplier
700 Lumens Artist	.55*
1000 Lumens Artist	.72*
700 Lumens standard & Vibrant	.57*
1000 Lumens standard & Vibrant	.76*
1300 Lumens standard & Vibrant	1

*estimated values

REFLECTOR COLOR MULTIPLIERS

Slightly diffuse clear (V)	1
Fully diffuse clear (EC)	.90
Champagne gold clear (G)	1
Specular White	.70
Black (B)	.40