

Project

Date

Product Code

Type

Designer



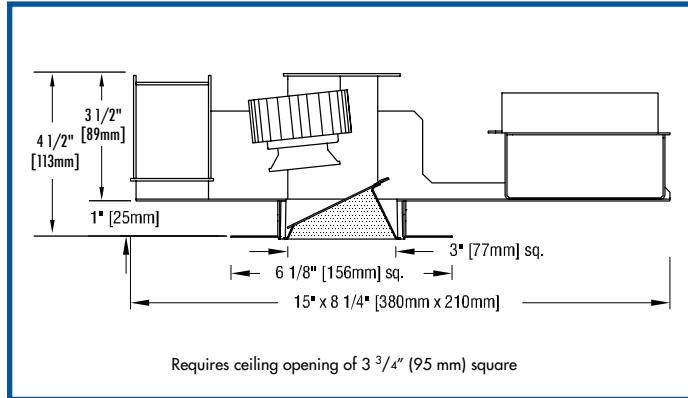
MADE IN USA

[Click Here](#)

PRIM SQUARE WL/3

recessed square trimless LED wallwasher

FULLY SUSTAINABLE – FULLY SUSTAINABLE – FULLY SUSTAINABLE – FULLY SUSTAINABLE – FULLY SUSTAINABLE – FULLY SUSTAINABLE – FULLY SUSTAINABLE

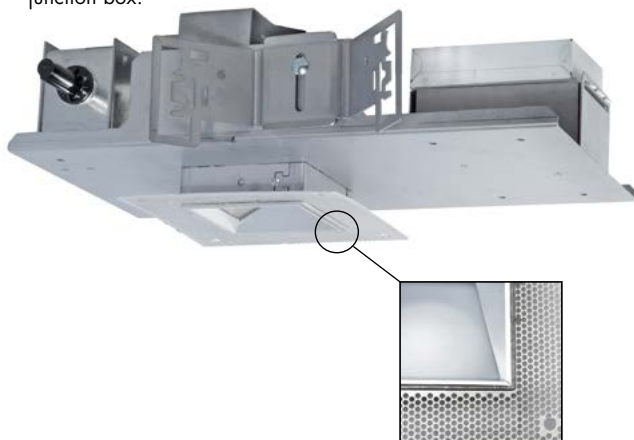


FEATURES

- **PRIM SQUARE WL/3 is a 3" trimless square LED wallwasher.** Luminaire is powered by one of a number of Xicato XTM (19mm) LED modules, distinguished by extraordinary color consistency (within 1x2-step MacAdam ellipse). See below for wattages and efficacies.
- **Luminaire is exclusively designed for installation in sheet rock** to achieve a flush trim detail. Installation includes the application of drywall compound over the luminaire's integral spackle screen to the rim of its integral plaster ring.
- **Luminaire overall depth is 4 1/2"** (housing depth of 3 1/2" plus a 1" throat).
- **Precise reflector design provides uniform illumination** on vertical surfaces up to the ceiling line. The optical assembly consists of an internal reflector and a diffuser mounted atop an external reflector trim. Heat sink/LED/internal reflector assembly is capable of full circle horizontal rotation.
- **External reflectors are available in two clear natural aluminum finishes** – slightly diffuse (V) or fully diffuse (EC) – as well as black and white.
- **Luminaire includes a pair of 3/4" x 27" C channel mounting bars.** Specialty bars for wood joist and T-bar installations are also available.
- **For more information, [click here](#).**

APPLICATIONS

Fixture is listed for Damp Location. Fixture is prewired with thermal protector and approved for eight #12 wire 90° branch circuit pull-through wiring. Removal of the external reflector trim allows access to the LED module and junction box.



PRODUCT CODE

For complete product code, list basic unit and select one item from each following box.

| | |
|--|-----------|
| Basic Unit | P3-XTM-WL |
| Driver | |
| dimmable to 1% by a 0-10V dimmer on 120 or 277-volt service | DMV |
| dimmable to 5% or 10% (see Lumen Source Output box below) by either an incandescent or ELV dimmer; 120-volt service only | DMP |
| eldoLED 0-10V (Logarithmic) driver dimmable to 0.1% with a 0-10V dimmer on 120 or 277-volt service | DVOELG |
| eldoLED 0-10V (Linear) driver dimmable to 0.1% with a 0-10V dimmer on 120 or 277-volt service | DVOELN |
| eldoLED driver dimmable to 0.1%, compatible with DALI control system | DA0-EL |
| Moons' driver dimmable to 0.1%, compatible with DMX controllers | DX0 |

Light Source Output (Lumens) Choose one.

| | | |
|-------------------------------|----------|--------|
| 700L / CRI 98 Artist..... | DMP(10%) | - L07A |
| 1000L / CRI 98 | DMP(5%) | - L10A |
| 1400L / CRI 98 | DMP(5%) | - L14A |
| 1000L / CRI 90 Designer..... | DMP(5%) | - L10H |
| 1300L / CRI 90 | DMP(5%) | - L13H |
| 1600L / CRI 90 | DMP(5%) | - L16H |
| 1000L / CRI 80+ Vibrant..... | DMP(10%) | - L10V |
| 1300L / CRI 80+ | DMP(10%) | - L13V |
| 1600L / CRI 80+ | DMP(5%) | - L16V |
| 1000L / CRI 80+ standard..... | DMP(10%) | - L10S |
| 1300L / CRI 80+ | DMP(10%) | - L13S |
| 1600L / CRI 80+ | DMP(5%) | - L16S |

Vibrant available in 3000K only Designer available in 2700K and 3000K

| | |
|--------------|-------|
| Light Color | |
| 2700 K | - 27K |
| 3000 K | - 30K |
| 3500 K | - 35K |
| 4000 K | - 40K |

| | |
|------------------------|-------|
| Voltage | |
| 120 volt service | - 120 |
| 277 volt service | - 277 |

| | |
|------------------------------|------|
| External Reflector Color | |
| Slightly diffuse Clear | VTL |
| Fully diffuse Clear | ECTL |
| Black..... | BTL |
| White..... | WTL |



PHOTOMETRIC REPORT (tested per IESNA LM-79-2008)

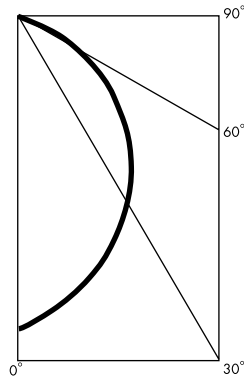
Verification Services Report No. 11729420.01 . Original test report furnished upon request.

Luminaire recessed LED square lensed wallwasher with semi-specular clear aluminum reflector
 Light Source one white Xicato XTM 19mm LES LED, 3000K CCT, 80 CRI, 1600 lumens
 Lamp Life rated 50,000 hours based on L70/B50 criteria. LM80 report by LED manufacturer furnished upon request

WALLWASH INFORMATION

| Distance From Ceiling (Feet) | 3' From Wall; 3' O.C. 1600 lumens LED | | 3' 6" From Wall; 3' 6" O.C. 1600 lumens LED | |
|------------------------------|--|------------------|--|------------------|
| | Between Fixture | Between Fixtures | Between Fixture | Between Fixtures |
| 1 | 8 | 6 | 5 | 4 |
| 2 | 20 | 18 | 13 | 12 |
| 3 | 21 | 20 | 16 | 15 |
| 4 | 18 | 18 | 15 | 14 |
| 5 | 15 | 14 | 13 | 12 |
| 6 | 11 | 12 | 10 | 10 |
| 7 | 9 | 9 | 8 | 8 |
| 8 | 7 | 7 | 7 | 7 |
| 9 | 6 | 6 | 6 | 5 |
| 10 | 5 | 5 | 5 | 4 |

CANDLEPOWER DISTRIBUTION



STANDARD DMV DRIVER INFORMATION (UL Class 2, dry and damp location)

| Voltage | 120 | 277 |
|---|-----------------------------|-----------------------------|
| Input Watts (L07A/L10A/L14A/L10H/L13H/16H/L10S&V/L13S&V/L16S&V) | 10/13/16/12/16/16/10/14/16 | 10/13/16/12/16/16/10/14/16 |
| Input Current (A) (L07A/L10A/L14A/L10H/L13H/16H/L10S&V/L13S&V/L16S&V) | .08/11/13/10/13/13/08/12/13 | .04/05/06/04/06/06/04/05/06 |
| Output Current (mA) | 350-700 | 350-700 |
| Min. Power Factor | .99 | .99 |
| Operating Temperature Range (F) | -13 to 122 | -13 to 122 |

REFLECTOR COLOR MULTIPLIERS

| | |
|----------------------------|-----|
| Slightly diffuse clear (V) | 1 |
| Fully diffuse clear (EC) | .90 |
| Champagne gold clear (G) | 1 |
| Specular White | .70 |
| Black (B) | .80 |

LUMINAIRE LIGHT OUTPUT AND EFFICACY

| LED Light Engine | Luminaire Light Output | Luminaire Efficacy (lms/watt) | System Wattage |
|--------------------------------|------------------------|-------------------------------|----------------|
| 700 Lumens Artist | 334* | 33* | 10 |
| 1000 Lumens Artist | 447* | 34* | 13 |
| 1400 Lumens Artist | 627* | 39* | 16 |
| 1000 Lumens Designer | 447* | 37* | 12 |
| 1300 Lumens Designer | 603* | 38* | 16 |
| 1600 Lumens Designer | 735* | 45* | 16 |
| 1000 Lumens standard & Vibrant | 447* | 45* | 10 |
| 1300 Lumens standard & Vibrant | 603* | 43* | 14 |
| 1600 Lumens standard & Vibrant | 735 | 45 | 16 |

*estimated values

LIGHT OUTPUT MULTIPLIER

| LED Light Engine | Light Output Multiplier |
|--------------------------------|-------------------------|
| 700 Lumens Artist | 0.45* |
| 1000 Lumens Artist | 0.61* |
| 1400 Lumens Artist | 0.85* |
| 1000 Lumens Designer | 0.61* |
| 1300 Lumens Designer | 0.82* |
| 1600 Lumens Designer | 1* |
| 1000 Lumens standard & Vibrant | 0.61* |
| 1300 Lumens standard & Vibrant | 0.82 |
| 1600 Lumens standard & Vibrant | 1 |

*estimated values