

Project

Type



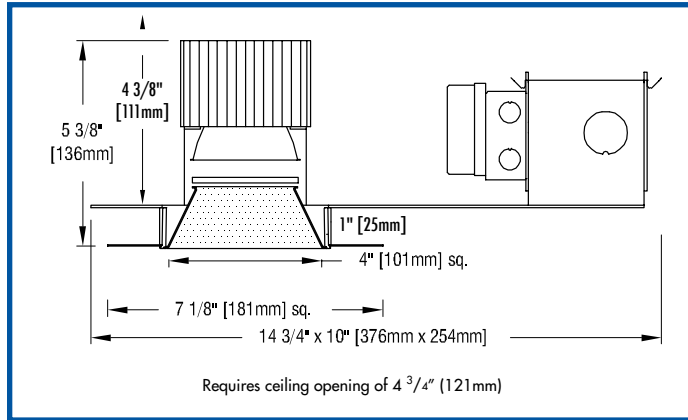
Date Product Code

Designer

PRIM SQUARE DL/4

recessed square trimless LED downlight

FULLY SUSTAINABLE - FULLY SUSTAINABLE - FULLY SUSTAINABLE - FULLY SUSTAINABLE - FULLY SUSTAINABLE - FULLY SUSTAINABLE - FULLY SUSTAINABLE

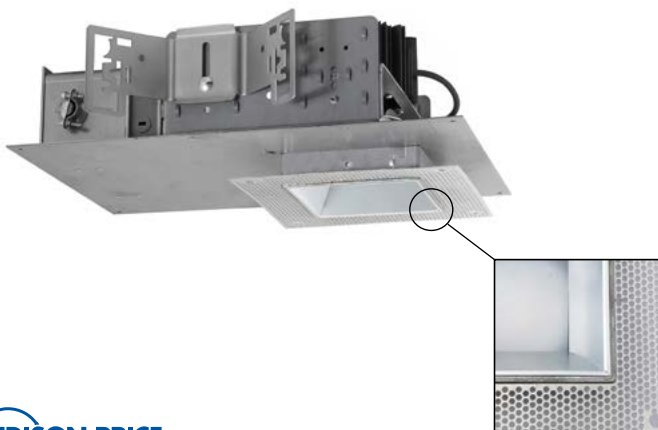


FEATURES

- **PRIM SQUARE DL/4 is a 4" trimless square LED downlight.** Luminaire is powered by one of a number of Xicato XTM (19mm) LED modules, all of which are distinguished by extraordinary color consistency (within 1x2-step MacAdam ellipse). See tables below for wattages and efficacies.
- **Luminaire is exclusively designed for installation in sheet rock** to achieve a flush trim detail. Installation includes the application of drywall compound over the luminaire's integral spackle screen to the rim of its integral plaster ring.
- **Luminaire overall depth is 5 3/8"** (housing depth of 4 3/8" plus a 1" throat).
- **Luminaire employs an internal 'twist and lock' reflector** to produce an initial beamspread of 20°, 40° or 60°. To allow beamspread to be changed in installed luminaires, internal reflectors are available as accessories.
- **External reflector is designed to accept** either a Solite-pattern prismatic lens (-PRS) or a diffuse lens (-DIF) mounted in the top aperture. A particularly wide distribution is produced by a combination of a 20° internal reflector and a diffuse lens (-DIF). External reflectors are available in two clear natural aluminum finishes – slightly diffuse (V) or fully diffuse (EC) – as well as black and white.
- **Luminaire includes a pair of 3/4" x 27" C channel mounting bars.**
- **For more information, [click here](#).**

APPLICATIONS

Fixture is listed for Damp Location. Fixture is prewired with thermal protector and approved for eight #12 wire 90° branch circuit pull-through wiring. Removal of the external reflector trim allows access to the LED module and junction box.



PRODUCT CODE

For complete product code, list basic unit and select one item from each following box.

Basic Unit	P4-XTM-DL
Driver Choose one.	
dimable to 1% by a 0-10V dimmer on 120 or 277-volt service	DMV
dimable to 5% or 10% (see Light Output box below) by either an incandescent or ELV dimmer; 120-volt service only	DMP
eldoLED 0-10V (Logarithmic) driver dimmable to 0.1% with a 0-10V dimmer on 120 or 277-volt service	DV0ELG
eldoLED 0-10V (Linear) driver dimmable to 0.1% with a 0-10V dimmer on 120 or 277-volt service	DV0ELN
eldoLED driver dimmable to 0.1%, compatible with DALI control system	DA0-EL
Moons' driver dimmable to 0.1%, compatible with DMX controllers	DX0

Light Source Output (Lumens) Choose one.

700L / CRI 98 Artist	DMP(10%)	- L07A
1000L / CRI 98	DMP(5%)	- L10A
1400L / CRI 98	DMP(5%)	- L14A
2100L / CRI 98	DMP(5%)	- L21A
1000L / CRI 90 Designer	DMP(5%)	- L10H
1300L / CRI 90	DMP(5%)	- L13H
1600L / CRI 90	DMP(5%)	- L16H
2100L / CRI 90	DMP(5%)	- L21H
2500L / CRI 90	DMP(5%)	- L25H
1000L / CRI 80+ Vibrant	DMP(10%)	- L10V
1300L / CRI 80+	DMP(10%)	- L13V
1600L / CRI 80+	DMP(5%)	- L16V
2100L / CRI 80+	DMP(5%)	- L21V
2500L / CRI 80+	DMP(5%)	- L25V
1000L / CRI 80+ standard	DMP(10%)	- L10S
1300L / CRI 80+	DMP(10%)	- L13S
1600L / CRI 80+	DMP(5%)	- L16S
2100L / CRI 80+	DMP(5%)	- L21S
2500L / CRI 80+	DMP(5%)	- L25S

Vibrant available in 3000K only. Designer available in 2700K or 3000K

Light Color Choose one.

2700 K	- 27K
3000 K	- 30K
3500 K	- 35K
4000 K	- 40K

Internal Reflector Choose one.

20° initial beamspread	- 20D
40° initial beamspread	- 40D
60° initial beamspread	- 60D

Voltage Choose one.

120 volt service	- 120
277 volt service	- 277

External Reflector Lens Choose one.

Solite prismatic lens See three photometric reports below	- PRS
Diffuse lens See photometric report below with 20° reflector.....	- DIF

External Reflector Color Choose one.

Slightly diffuse Clear	- VTL
Fully diffuse Clear	- ECTL
Black	- BTL
White	- WTL

EXTRA REFLECTORS Specify as separate line items.

20° initial beamspread	XTM-REF20-72
40° initial beamspread	XTM-REF40-72
60° initial beamspread	XTM-REF60-70



PHOTOMETRIC REPORT with 20° reflector and prismatic lens (PRS) (tested per IESNA LM-79-2008)

Verification Services Report No. 1181790. Original test report furnished upon request.

Luminaire recessed LED square downlight with slightly diffuse clear aluminum reflector covered with prismatic lens (PRS)
 Light Source one white Xicato XTM 19mm LES LED with 20° beam spread integral reflector, 3000K CCT, 80 CRI, 1600 lumens
 Lamp Life rated 50,000 hours based on L70/B50 criteria. LM80 report by LED manufacturer furnished upon request
 Spacing Criteria 0.3

CANDLEPOWER DISTRIBUTION (Candela)

Vertical Angle	Horizontal Angle	
	0	
0	5529	
5	4769	
15	1380	
25	420	
35	17	
45	8	
55	5	
65	1	
75	0	
85	0	
90	0	

LUMINANCE DATA

Vertical Angle	Candelam ²
45	1030
55	885
65	187
75	57
85	114

ZONAL LUMEN SUMMARY

Zone	Lumens	% Fixture
0 - 40°	1047	99.1
0 - 60°	1056	99.9
0 - 90°	1057	100.0
90 - 180°	0	0.0
0 - 180°	1057	100.0

LUMINAIRE LIGHT OUTPUT AND EFFICACY

LED Light Engine	Luminaire Light Output	Luminaire Efficacy (lms/watt)	System Wattage
700 Lumens Artist	486*	49*1	0
1000 Lumens Artist	645*	50*	13
1400 Lumens Artist	888*	55*	16
2100 Lumens Artist	1374*	55*	25
1000 Designer	655*	55*	12
1300 Designer	877*	55*	16
1600 Designer	1057*	66*	16
2100 Designer	1374*	65*	21
2500 Designer	1543*	59*	26
1000 Lumens standard & Vibrant	655*	66*	10
1300 Lumens standard & Vibrant	877*	63*	14
1600 Lumens standard & Vibrant	1057	66*	16
2100 Lumens standard & Vibrant	1374*	65*	21
2500 Lumens standard & Vibrant	1543*	59*	26

*estimated values

PHOTOMETRIC REPORT with 40° reflector and prismatic lens (PRS) (tested per IESNA LM-79-2008)

Verification Services Report No. 1181792. Original test report furnished upon request.

Luminaire recessed LED square downlight with slightly diffuse clear aluminum reflector covered with prismatic lens (PRS)
 Light Source one white Xicato XTM 19mm LES LED with 40° beam spread integral reflector, 3000K CCT, 80 CRI, 1600 lumens
 Lamp Life rated 50,000 hours based on L70/B50 criteria. LM80 report by LED manufacturer furnished upon request
 Spacing Criteria 0.5

CANDLEPOWER DISTRIBUTION (Candela)

Vertical Angle	Horizontal Angle	
	0	
0	2881	
5	2681	
15	1543	
25	497	
35	27	
45	10	
55	6	
65	1	
75	0	
85	0	
90	0	

LUMINANCE DATA

Vertical Angle	Candelam ²
45	1334
55	1010
65	145
75	46
85	139

ZONAL LUMEN SUMMARY

Zone	Lumens	% Fixture
0 - 40°	986	98.7
0 - 60°	997	99.8
0 - 90°	999	100.0
90 - 180°	0	0.0
0 - 180°	999	100.0

LUMINAIRE LIGHT OUTPUT AND EFFICACY

LED Light Engine	Luminaire Light Output	Luminaire Efficacy (lms/watt)	System Wattage
700 Lumens Artist	460*	46*	10
1000 Lumens Artist	609*	47*	13
1400 Lumens Artist	839*	52*	16
2100 Lumens Artist	1299*	52*	25
1000 Designer	619*	52*	12
1300 Designer	829*	52*	16
1600 Designer	999*	62*	16
2100 Designer	1299*	62*	21
2500 Designer	1459*	56*	26
1000 Lumens standard & Vibrant	619*	62*	10
1300 Lumens standard & Vibrant	829*	59*	14
1600 Lumens standard & Vibrant	999	62*	16
2100 Lumens standard & Vibrant	1299*	62*	21
2500 Lumens standard & Vibrant	1459*	56*	26

*estimated values

PHOTOMETRIC REPORTS CONTINUE BELOW

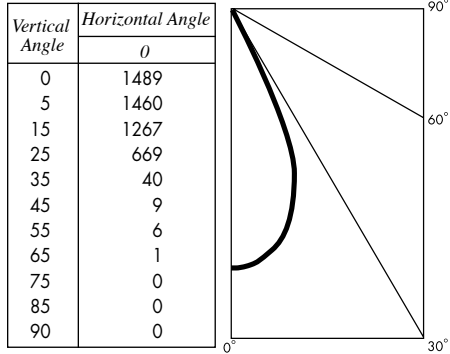


PHOTOMETRIC REPORT with 60° reflector and prismatic lens (PRS) (tested per IESNA LM-79-2008)

UL Verification Services Report No. 1181788. Original test report furnished upon request.

Luminaire recessed LED square downlight with slightly diffuse clear aluminum reflector covered with prismatic lens (PRS)
 Light Source one white Xicato XTM 19mm LES LED with 60° beam spread integral reflector, 3000K CCT, 80 CRI, 1600 lumens
 Lamp Life rated 50,000 hours based on L70/B50 criteria. LM80 report by LED manufacturer furnished upon request
 Spacing Criteria 0.8

CANDLEPOWER DISTRIBUTION (Candela)



LUMINANCE DATA

Vertical Angle	Candelam ²
45	1210
55	996
65	263
75	0
85	0

ZONAL LUMEN SUMMARY

Zone	Lumens	% Fixture
0 - 40°	923	98.5
0 - 60°	936	99.9
0 - 90°	937	100.0
90 - 180°	0	0.0
0 - 180°	937	100.0

LUMINAIRE LIGHT OUTPUT AND EFFICACY

LED Light Engine	Luminaire Light Output	Luminaire Efficacy (lms/watt)	System Wattage
700 Lumens Artist	431*	43*	10
1000 Lumens Artist	572*	44*	13
1400 Lumens Artist	787*	49*	16
2100 Lumens Artist	1218*	49*	25
1000 Designer	581*	48*	12
1300 Designer	778*	49*	16
1600 Designer	937*	59*	16
2100 Designer	1218*	58*	21
2500 Designer	1368*	53*	26
1000 Lumens standard & Vibrant	581*	58*	10
1300 Lumens standard & Vibrant	778*	56*	14
1600 Lumens standard & Vibrant	937	59*	16
2100 Lumens standard & Vibrant	1218*	58*	21
2500 Lumens standard & Vibrant	1368*	53*	26

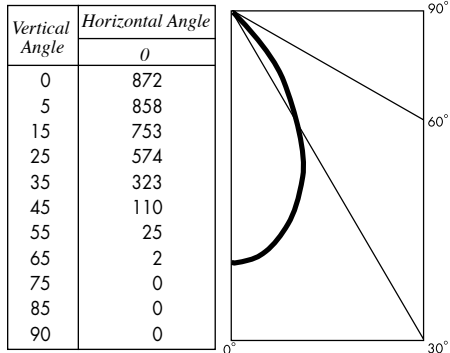
*estimated values

PHOTOMETRIC REPORT with 20° reflector and diffuser (DIF) (tested per IESNA LM-79-2008)

UL Verification Services Report No. 1181786. Original test report furnished upon request.

Luminaire recessed LED square downlight with slightly diffuse clear aluminum reflector covered with diffuser (DIF)
 Light Source one white Xicato XTM 19mm LES LED with 20° beam spread integral reflector, 3000K CCT, 80 CRI, 1600 lumens
 Lamp Life rated 50,000 hours based on L70/B50 criteria. LM80 report by LED manufacturer furnished upon request
 Spacing Criteria 0.9

CANDLEPOWER DISTRIBUTION (Candela)



LUMINANCE DATA

Vertical Angle	Candelam ²
45	15020
55	4194
65	521
75	92
85	100

ZONAL LUMEN SUMMARY

Zone	Lumens	% Fixture
0 - 40°	765	85.9
0 - 60°	886	99.5
0 - 90°	890	100.0
90 - 180°	0	0.0
0 - 180°	890	100.0

LUMINAIRE LIGHT OUTPUT AND EFFICACY

LED Light Engine	Luminaire Light Output	Luminaire Efficacy (lms/watt)	System Wattage
700 Lumens Artist	409*	41*	10
1000 Lumens Artist	543*	42*	13
1400 Lumens Artist	748*	47*	16
2100 Lumens Artist	1157*	46*	25
1000 Designer	552*	46*	12
1300 Designer	739*	46*	16
1600 Designer	890*	56*	16
2100 Designer	1157*	55*	21
2500 Designer	1299*	50*	26
1000 Lumens standard & Vibrant	552*	55*	10
1300 Lumens standard & Vibrant	739*	53*	14
1600 Lumens standard & Vibrant	890	56*	16
2100 Lumens standard & Vibrant	1157*	55*	21
2500 Lumens standard & Vibrant	1299*	50*	26

*estimated values

LIGHT OUTPUT MULTIPLIER

LED Light Engine	Light Output Multiplier
700 Lumens Artist	0.46*
1000 Lumens Artist	0.61*
1400 Lumens Artist	0.84*
2100 Lumens Artist	1.3*
1000 Designer	0.62*
1300 Designer	0.83*
1600 Designer	1*
2100 Designer	1.3*
2500 Designer	1.46*
1000 Lumens standard & Vibrant	0.62*
1300 Lumens standard & Vibrant	0.83*
1600 Lumens standard & Vibrant	1
2100 Lumens standard & Vibrant	1.3*
2500 Lumens standard & Vibrant	1.46*

*estimated values

STANDARD DMV DRIVER INFORMATION

(UL Class 2, dry and damp location)

Voltage	120	277
Input Watts Range (W)	10 to 26	10 to 26
Input Current Range (A)	.08 to .22	.04 to .09
Output Current (mA)	350-700	350-700
Min. Power Factor	.99	.99
Operating Temperature Range (F)	-13 to 122	-13 to 122

REFLECTOR COLOR MULTIPLIERS

Slightly diffuse clear (V)	1
Fully diffuse clear (EC)	.90
Specular White (W)	.70
Black (B)	.40