

Project

Type



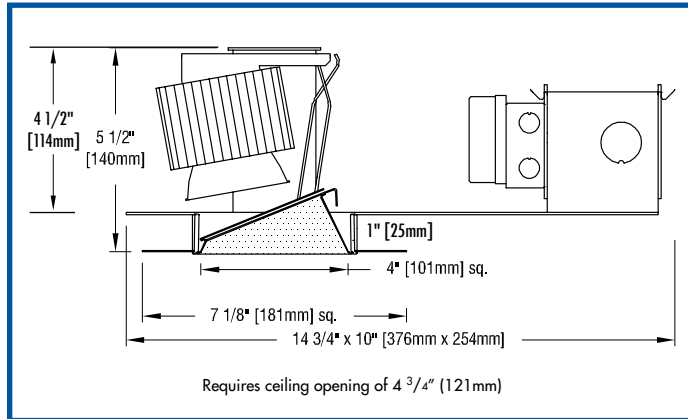
Date Product Code

Designer

# PRIM SQUARE WL/4

recessed square trimless LED wallwasher

FULLY SUSTAINABLE - FULLY SUSTAINABLE - FULLY SUSTAINABLE - FULLY SUSTAINABLE - FULLY SUSTAINABLE - FULLY SUSTAINABLE - FULLY SUSTAINABLE

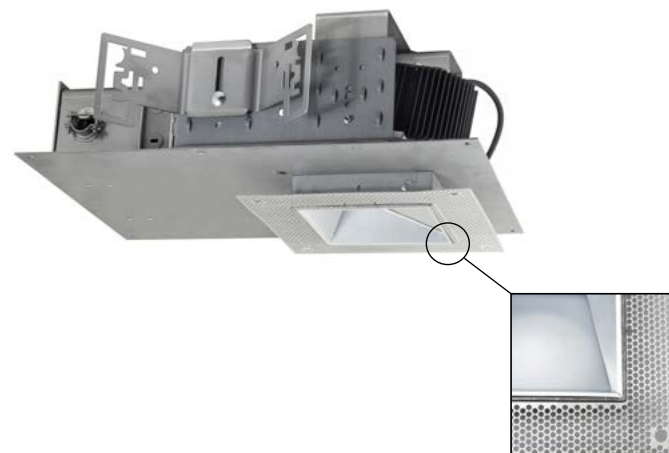


## FEATURES

- **PRIM SQUARE WL/4 is a 4" trimless square LED wallwasher.** Luminaire is powered by one of a number of Xicato XTM (19mm) LED modules, distinguished by extraordinary color consistency (within 1x2-step MacAdam ellipse). See below for wattages and efficacies. Luminaire may be ordered with one of a number of drivers.
- **Luminaire is exclusively designed for installation in sheet rock** to achieve a flush trim detail. Installation includes the application of drywall compound over the luminaire's integral spackle screen to the rim of its integral plaster ring.
- **Luminaire overall depth is 5 1/2"** (housing depth of 4 1/2" plus a 1" throat).
- **Precise reflector design provides uniform illumination** on vertical surfaces up to the ceiling line. The optical assembly consists of an internal reflector and a diffuser mounted atop an external reflector trim. Heat sink/LED/internal reflector assembly is capable of full circle horizontal rotation.
- **External reflectors are available in two clear natural aluminum finishes** – slightly diffuse (V) or fully diffuse (EC) – as well as black and white.
- **Luminaire includes a pair of 3/4" x 27" C channel mounting bars.**
- **For more information, [click here](#).**

## APPLICATIONS

Fixture is listed for Damp Location. Fixture is prewired with thermal protector and approved for eight #12 wire 90° branch circuit pull-through wiring. Removal of the external reflector trim allows access to the LED module and junction box.



## PRODUCT CODE

For complete product code, list basic unit and select one item from each following box.

|   |           |
|---|-----------|
| Basic Unit.....   | P4-XTM-WL |
| Driver  |           |
| dimble to 1% by a 0-10V dimmer on 120 or 277-volt service .....   | DMV       |
| dimble to 5% or 10% (see Light Output box below) by either an incandescent or ELV dimmer; 120-volt service only ..... | DMP       |
| eldoLED 0-10V (Logarithmic) driver dimmable to 0.1% with a 0-10V dimmer on 120 or 277-volt service .....              | DVOELG    |
| eldoLED 0-10V (Linear) driver dimmable to 0.1% with a 0-10V dimmer on 120 or 277-volt service .....                   | DVOELN    |
| eldoLED driver dimmable to 0.1%, compatible with DALI control system .....  | DAO-EL    |
| Moons' driver dimmable to 0.1%, compatible with DMX controllers .....   | DXO       |

|  |                     |
|--|---------------------|
| Light Source Output (Lumens) <i>Choose one.</i>                              |                     |
| 700L / CRI 98 Artist .....   | DMP(10%)..... L07A  |
| 1000L / CRI 98 .....   | DMP( 5% )..... L10A |
| 1400L / CRI 98 .....   | DMP( 5% )..... L14A |
| 2100L / CRI 98 .....   | DMP( 5% )..... L21A |
| 1000L / CRI 90 Designer.....   | DMP( 5% )..... L10H |
| 1300L / CRI 90 .....   | DMP( 5% )..... L13H |
| 1600L / CRI 90 .....   | DMP( 5% )..... L16H |
| 2100L / CRI 90 .....   | DMP( 5% )..... L21H |
| 2500L / CRI 90 .....   | DMP( 5% )..... L25H |
| 1000L / CRI 80+ Vibrant.....   | DMP(10%)..... L10V  |
| 1300L / CRI 80+ .....  | DMP(10%)..... L13V  |
| 1600L / CRI 80+ .....  | DMP( 5% )..... L16V |
| 2100L / CRI 80+ .....  | DMP( 5% )..... L21V |
| 2500L / CRI 80+ .....  | DMP( 5% )..... L25V |
| 1000L / CRI 80+ standard .....   | DMP(10%)..... L10S  |
| 1300L / CRI 80+ .....  | DMP(10%)..... L13S  |
| 1600L / CRI 80+ .....  | DMP( 5% )..... L16S |
| 2100L / CRI 80+ .....  | DMP( 5% )..... L21S |
| 2500L / CRI 80+ .....  | DMP( 5% )..... L25S |
| <b>Vibrant available in 3000K only. Designer available in 2700K or 3000K</b> |                     |

|             |       |
|-------------|-------|
| Light Color |       |
| 2700 K..... | - 27K |
| 3000 K..... | - 30K |
| 3500 K..... | - 35K |
| 4000 K..... | - 40K |

|                        |       |
|------------------------|-------|
| Voltage                |       |
| 120 volt service ..... | - 120 |
| 277 volt service ..... | - 277 |

|                              |      |
|------------------------------|------|
| External Reflector Color     |      |
| Slightly diffuse Clear ..... | VTL  |
| Fully diffuse Clear .....    | ECTL |
| Black.....                   | BTL  |
| White.....                   | WTL  |



## PHOTOMETRIC REPORT (tested per IESNA LM-79-2008)

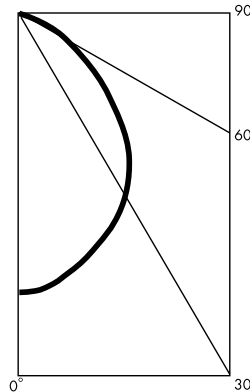
**UL** Verification Services Report No. 1202107. Original test report furnished upon request.

Luminaire ..... recessed LED square lensed wallwasher with slightly diffuse clear aluminum reflector  
 Light Source ..... one white Xicato XTM 19mm LES LED with 43° beam spread integral reflector, 3000K CCT, 80 CRI, 1600 lumens  
 Lamp Life ..... rated 50,000 hours based on L70/B50 criteria. LM80 report by LED manufacturer furnished upon request

### WALLWASH INFORMATION

| Distance From Ceiling (Feet) | 3' From Wall; 3' O.C.<br>1600 lumens LED |                  | 3' 6" From Wall; 3' 6" O.C.<br>2500 lumens LED |                  |
|------------------------------|--|------------------|--|------------------|
|                              | Between Fixture                          | Between Fixtures | Between Fixture                                | Between Fixtures |
| 1                            | 4  | 3                | 3  | 3                |
| 2                            | 12                                       | 11               | 10   | 10               |
| 3                            | 17                                       | 16               | 17   | 17               |
| 4                            | 16                                       | 16               | 19   | 19               |
| 5                            | 14                                       | 13               | 18   | 17               |
| 6                            | 11                                       | 11               | 15   | 15               |
| 7                            | 9  | 9                | 13   | 12               |
| 8                            | 7  | 7                | 11   | 10               |
| 9                            | 6  | 6                | 9  | 9                |
| 10                           | 5  | 5                | 8  | 8                |

### CANDLEPOWER DISTRIBUTION



### LUMINAIRE LIGHT OUTPUT AND EFFICACY

| LED Light Engine               | Luminaire Light Output | Luminaire Efficacy (lms/watt) | System Wattage |
|--------------------------------|------------------------|-------------------------------|----------------|
| 700 Lumens Artist              | 401*                   | 40*                           | 10             |
| 1000 Lumens Artist             | 531*                   | 41*                           | 13             |
| 1400 Lumens Artist             | 732*                   | 46*                           | 16             |
| 2100 Lumens Artist             | 1132*                  | 45*                           | 25             |
| 1000 Designer                  | 540*                   | 45*                           | 12             |
| 1300 Designer                  | 723*                   | 45*                           | 16             |
| 1600 Designer                  | 871*                   | 54*                           | 16             |
| 2100 Designer                  | 1132*                  | 54*                           | 21             |
| 2500 Designer                  | 1272*                  | 49*                           | 26             |
| 1000 Lumens Standard & Vibrant | 540*                   | 54*                           | 10             |
| 1300 Lumens Standard & Vibrant | 723*                   | 52*                           | 14             |
| 1600 Lumens Standard & Vibrant | 871                    | 54*                           | 16             |
| 2100 Lumens Standard & Vibrant | 1132*                  | 54*                           | 21             |
| 2500 Lumens Standard & Vibrant | 1272*                  | 49*                           | 26             |

\*estimated values

### LIGHT OUTPUT MULTIPLIER

| LED Light Engine               | Light Output Multiplier |
|--------------------------------|-------------------------|
| 700 Lumens Artist              | 0.46*                   |
| 1000 Lumens Artist             | 0.61*                   |
| 1400 Lumens Artist             | 0.84*                   |
| 2100 Lumens Artist             | 1.3*                    |
| 1000 Designer                  | 0.62*                   |
| 1300 Designer                  | 0.83*                   |
| 1600 Designer                  | 1*                      |
| 2100 Designer                  | 1.3*                    |
| 2500 Designer                  | 1.46*                   |
| 1000 Lumens standard & Vibrant | 0.62*                   |
| 1300 Lumens standard & Vibrant | 0.83*                   |
| 1600 Lumens standard & Vibrant | 1                       |
| 2100 Lumens standard & Vibrant | 1.3*                    |
| 2500 Lumens standard & Vibrant | 1.46*                   |

\*estimated values

### STANDARD DMV DRIVER INFORMATION

(UL Class 2, dry and damp location)

| Voltage                         | 120        | 277        |
|---------------------------------|------------|------------|
| Input Watts Range (W)           | 10 to 26   | 10 to 26   |
| Input Current Range (A)         | .08 to .22 | .04 to .09 |
| Output Current (mA)             | 350-700    | 350-700    |
| Min. Power Factor               | .99        | .99        |
| Operating Temperature Range (F) | -13 to 122 | -13 to 122 |

### REFLECTOR COLOR MULTIPLIERS

|                            |     |
|----------------------------|-----|
| Slightly diffuse clear (V) | 1   |
| Fully diffuse clear (EC)   | .99 |
| Specular White (W)         | .90 |
| Black (B)                  | .80 |