

Project

Type



Date

Product Code

Designer

# WAFER PRIM SQUARE/3 WL

recessed shallow trimless square LED wallwasher

FULLY SUSTAINABLE – FULLY SUSTAINABLE – FULLY SUSTAINABLE – FULLY SUSTAINABLE – FULLY SUSTAINABLE – FULLY SUSTAINABLE – FULLY SUSTAINABLE



## FEATURES

- **WAFER PRIM SQUARE/3 WL is a trimless, square, LED wallwasher** with an overall depth of 4" (housing depth of 3" plus a 1" throat).
- **Luminaire is exclusively designed for installation in sheet rock** to achieve a flush trim detail. Installation includes the application of drywall compound over the luminaire's integral spackle screen to the rim of its integral plaster ring.
- **External reflectors** are available in two clear natural aluminum finishes – slightly diffuse (V) or fully diffuse (EC) – as well as black and white.
- **Optional housing design for residential installation** in wood joist ceilings (- RI).
- **WAFER PRIM SQUARE/3 WL includes a pair of mounting bars** (3/4" x 27" C channel). Specialty bars for wood and T-bar installations are also available.
- **For more information, [click here](#).**

## APPLICATIONS

Luminaire is listed as an inherently protected luminaire for Damp Location. Luminaire is RoHS compliant, is suitable for use in a fire rated ceiling. Removal of the external reflector allows access to the LED module and junction box.

## PRODUCT CODE

For complete product code, list basic unit and select one item from each following box.

**Basic Unit** .....standard installation design..... WP3-CLT-WL

### Light Source Output (Lumens)

800 lumens / CRI 90+ .....	2700K & 3000K only.....	- L08H
1000 lumens .....	2700K & 3000K only.....	- L10H
1200 lumens .....	2700K & 3000K only.....	- L12H
1000 lumens / CRI 80+ .....		- L10S
1200 lumens.....		- L12S
1500 lumens.....		- L15S

### Driver

dimmable to 1% by a 0-10V dimmer on 120 Or 277-volt service.....	- DMV
dimmable to 5% by either an incandescent or electronic low voltage dimmer only; 120-volt service only.....	- DMP
dimmable to 1% by a 2-wire Lutron compatible dimmer .....	- DMI-LU
dimmable to 1% SoftOn/FadeToBlack by a Lutron EcoSystem control ..-	- ECO-LU
eldoLED 0-10V (Logarithmic) driver dimmable to 0.1% with a 0-10V dimmer .....	- DVOELG
eldoLED 0-10V (Linear) driver dimmable to 0.1% with a 0-10V dimmer .....	- DVOELN
eldoLED driver dimmable to 0.1% with DALI control system .....	- DA0-EL
dimmable to 0.1% by a Zigbee wireless network (Daintree, Encelium or Wink); wireless range 50' through standard walls; available with <b>L12H or L15S models only</b> .....	- ZG0MAG

### Light Color

2700 K.....	- 27K
3000 K.....	- 30K
3500 K.....	- 35K
4000 K.....	- 40K

### External Reflector Color and Trim

Slightly diffuse Clear .....	VTL
Fully diffuse Clear .....	ECTL
Black.....	BTL
White.....	WTL

## OPTIONS *Specify by adding to the basic unit.*

**Housing designed for residential installation** (see next page) including a pair of mounting bars (extendable to 20") for use between wood joists. .... - RI

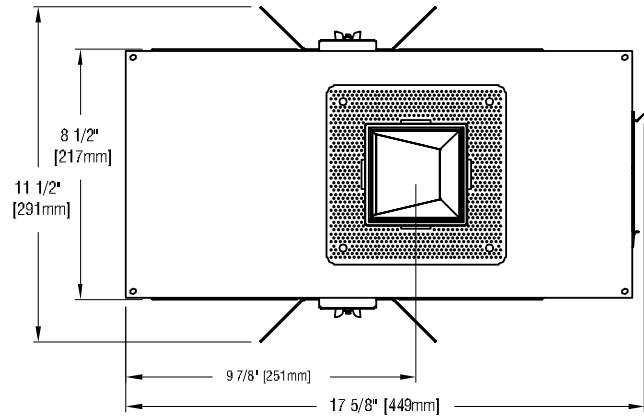
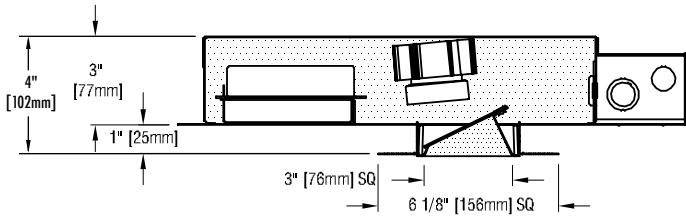
**Milwork trim detail** consists of an aperture collar (see below) and an external reflector (see above).

milled aluminum aperture collar.....	- M
white aperture collar.....	- MWH
black aperture collar.....	- MBL
custom color aperture collar.....	- MCC

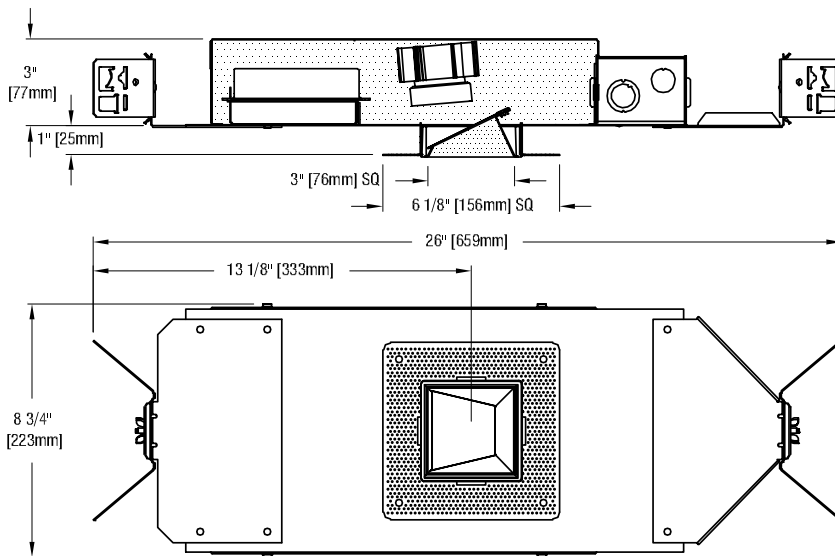


## STANDARD INSTALLATION DESIGN

Requires ceiling opening of 4" (102mm) square in a drywall ceiling.  
 Requires ceiling opening of 3.4" (87mm) square in a (metal or wood) millwork ceiling.



## RESIDENTIAL INSTALLATION DESIGN (-RI)



– see below for photometric reports –



## PHOTOMETRIC REPORT (tested per IESNA LM-79-2008)

Prorated from Verification Services Report No. 12305658.01A. Original test report furnished upon request.

Luminaire ..... recessed LED square lensed wallwasher with internal lens and semi-specular clear aluminum reflector  
 Light Source ..... Cree CXB1310 LED with spread integral lens, 2700K CCT, 90 CRI, 1000 lumens  
 Lamp Life ..... rated 50,000 hours based on L70/B50 criteria. LM80 report LED manufacturer furnished upon request

### WALLWASH INFORMATION 1000 LUMENS LED

Distance From Ceiling (Feet)	3' From Wall; 3' O.C.		3' 6" From Wall; 3' 6" O.C.	
	Below Fixture	Between Fixtures	Below Fixture	Between Fixtures
1	1	1	1	1
2	9	9	4	5
3	15	14	10	10
4	14	14	11	11
5	12	11	10	10
6	9	9	8	8
7	7	7	7	7
8	6	6	5	5
9	4	4	4	4
10	4	4	4	4

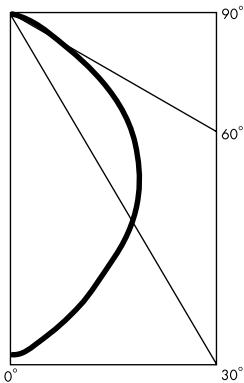
All vertical footcandles are initial values with no contribution from ceiling or floor reflectances. Computation performed with a total of ten wallwashers.

### WALLWASH INFORMATION 1500 LUMENS LED

Distance From Ceiling (Feet)	3' From Wall; 3' O.C.		3' 6" From Wall; 3' 6" O.C.	
	Below Fixture	Between Fixtures	Below Fixture	Between Fixtures
1	2	2	1	1
2	14	14	7	7
3	22	22	15	15
4	22	21	17	16
5	18	18	16	15
6	14	14	13	13
7	11	11	10	10
8	9	9	8	8
9	7	7	7	7
10	5	5	5	6

All vertical footcandles are initial values with no contribution from ceiling or floor reflectances. Computation performed with a total of six wallwashers.

### CANDLEPOWER DISTRIBUTION (Candela)



### LUMINAIRE LIGHT OUTPUT AND EFFICACY

	Luminaire Light Output	Luminaire Efficacy (lms/watt)	System Wattage
LED Light Engine			
800 Lumens 90 CRI	428*	48*	9
1000 Lumens 90 CRI	509	48	10
1200 Lumens 90 CRI	626*	48*	13
1000 Lumens 80 CRI	529*	59*	9
1200 Lumens 80 CRI	631*	63*	10
1500 Lumens 80 CRI	779*	60*	13

\*estimated values

### REFLECTOR COLOR MULTIPLIERS

Slightly diffuse clear (V)	1
Fully diffuse clear (EC)	.90
Specular white (W)	.70
Black (B)	.40

### STANDARD DMV DRIVER INFORMATION (UL Class 2, dry and damp location)

	120	277
Voltage	120	277
Input Watts (L08H/L10H/L12H/L10S/L12S/L15S)	9/10/13/9/10/13	9/10/13/9/10/13
Input Current (A) (L08H/L10H/L12H/L10S/L12S/L15S)	08/08/11/08/08/11	04/04/06/04/04/06
Output Current (mA)	220-350	220-350
Min. Power Factor	.99	.99
Operating Temperature Range (F)	-13 to 122	-13 to 122

### LIGHT OUTPUT MULTIPLIER

LED Light Engine	Light Output Multiplier
800 Lumens 90 CRI	0.84*
1000 Lumens 90 CRI	1
1200 Lumens 90 CRI	1.23*
1000 Lumens 80 CRI	1.04*
1200 Lumens 80 CRI	1.24*
1500 Lumens 80 CRI	1.53*

\*estimated values