

Project

Type



Date

Product Code

Designer

WAFER/3 AA

recessed shallow LED accent light

FULLY SUSTAINABLE – FULLY SUSTAINABLE – FULLY SUSTAINABLE – FULLY SUSTAINABLE – FULLY SUSTAINABLE – FULLY SUSTAINABLE – FULLY SUSTAINABLE



FEATURES

- **WAFER/3 AA is a 3" aperture LED accent light** with an overall depth of 4" (housing depth of 3" plus a 1" throat).
- **Luminaire provides 365° rotation and 0°-30° angular adjustment.** Once focused, adjustment may be locked by a lever and a thumb nut.
- **Luminaire employs an internal 'twist and lock' lens** to produce an initial beam-spread of either 12°, 20° or 36°. To allow beam-spread to be changed in installed luminaires, internal lenses are available as accessories.
- **Luminaire is powered by one of a number of Cree Chip on board LED's.** See below for wattages and efficacies.
- **Luminaire accepts one of a number of Optical Accessories** including lenses and color filters. Complimentary beam smoother included.
- **External reflectors are available in three clear natural aluminum colors** – semi-specular (C), slightly diffuse (V) or fully diffuse (EC) – as well as champagne gold, black Alzak® and specular white enamel. Other finishes are available on special order.
- **Optional housing design for residential installation** in wood joist ceilings (-RI).
- **WAFER/3 AA includes a pair of mounting bars** (3/4" x 27" C channel). Specialty bars for wood and T-bar installations are also available.
- **For more information, [click here](#).**

APPLICATIONS

Luminaire is listed as an inherently protected luminaire for Damp Location. Luminaire is RoHS compliant, is suitable for use in a fire rated ceiling. Removal of the external reflector allows access to the LED module and junction box.

OPTICAL ACCESSORIES *Specify as separate line*

All are 2 3/4" (70mm) diameter. Lenses and filters are glass; screens are aluminum.

diffuse glass	DGS/2.375
prismatic lens (Solite)	PLS/2.375
55° spread lens	LENS/2.375
40° x 70° spread lens	LENS/2.375-4070
beam smoother	CLR/2.375
33% light reduction screen	SCR33/2.375
50% light reduction screen	SCR50/2.375
color filters	
surprise pink	PNK/2.375
daylight blue	DAY/2.375
amber	AMB/2.375
blue	BLU/2.375
green	GRN/2.375
red	RED/2.375

For Trimless Square aperture, see [WAFER PRIM SQUARE/3 AA](#)
 For Overlap Square aperture, see [WAFER SQUARE/3 AA](#)
 For IC-rated, see [EPIC WAFER/3 AA](#)
 For Chicago Plenum, see [CHP WAFER/3 AA](#)

PRODUCT CODE

For complete product code, list basic unit and select one item from each following box.

Basic Unit	standard installation design	W3-CLT-AA
Internal Lens <i>Choose one.</i>		
12° initial beamspread		- 12D
20° initial beamspread		- 20D
36° initial beamspread		- 36D
Light Source Output (Lumens)		
800 lumens / CRI 90+	4000K not available	- L08H
1000 lumens	4000K not available	- L10H
1200 lumens	4000K not available	- L12H
1000 lumens / CRI 80+		- L10S
1200 lumens		- L12S
1500 lumens		- L15S
Driver		
dimmable to 1% by a 0-10V dimmer on 120 Or 277-volt service		
dimmable to 5% by either an incandescent or electronic low voltage dimmer only; 120-volt service only		
dimmable to 1% by a 2-wire Lutron compatible dimmer		
dimmable to 1% SoftOn/FadeToBlack by a Lutron EcoSystem control		
eldoLED 0-10V (Logarithmic) driver dimmable to 0.1% with a 0-10V dimmer		
eldoLED 0-10V (Linear) driver dimmable to 0.1% with a 0-10V dimmer		
eldoLED driver dimmable to 0.1% with DALI control system		
dimmable to 0.1% by a Zigbee wireless network (Daintree, Encelium or Wink); wireless range 50' through standard walls; available with L12H or L15S models only		
Light Color		
2700 K		- 27K
3000 K		- 30K
3500 K		- 35K
4000 K		- 40K

External Reflector Color and Trim	Overlap	Trim Flush*
Semi-specular Clear	COL	CTF
Slightly diffuse Clear	VOL	VTF
Fully diffuse Clear	ECOL	ECTF
Champagne Gold	GOL	GTF
Black	BOL	BTF
White	WOL	WTF

Standard reflector flange continues reflector finish. White painted flanges and custom painted flanges are available on special order. Add WF (white flange) or CCF (custom color flange).
 *Trim Flush reflector trim requires the use of a **plaster ring** Accessory (see below).

OPTIONS *Specify by adding to the basic unit.*

0° cut downlight reflector	0
Housing designed for residential installation (see next page) including a pair of mounting bars (extendable to 20") for use between wood joists.	
Milwork trim detail consists of an aperture collar (see below) and a Trim Flush (TF) external reflector (see above).	
milled aluminum aperture collar	- M
white aperture collar	- MWH
black aperture collar	- MBL
custom color aperture collar	- MCC
Remote emergency battery pack including two components – battery pack and plate with test switch and light – to be mounted adjacent to luminaire; for use in accessible ceilings; not available with residential housing (-RI).	

EXTRA INTERNAL LENSES *Specify as separate line items.*

12° internal lens	CLT-LENS12-50
20° internal lens	CLT-LENS20-50
36° internal lens	CLT-LENS36-50

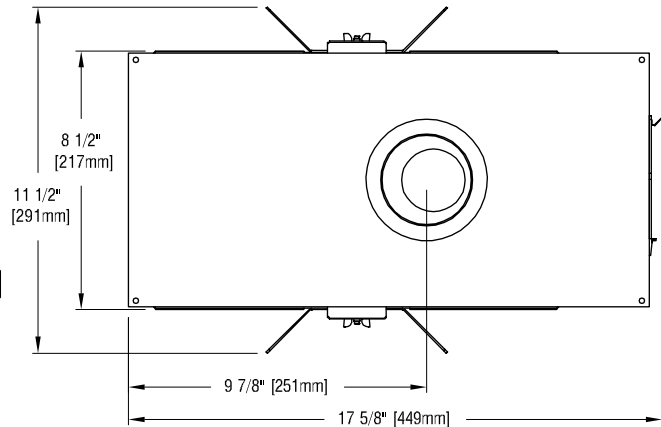
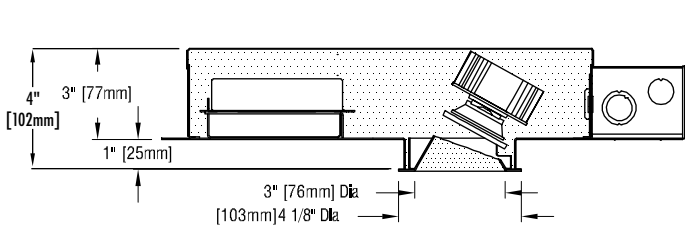
ACCESSORIES *Specify as a separate line item.*

Plaster ring allows use of 3 3/4" OD Trim Flush (-TF) reflector in sheetrock ceiling; 4" dia hole required	TF RING/3
---	-----------

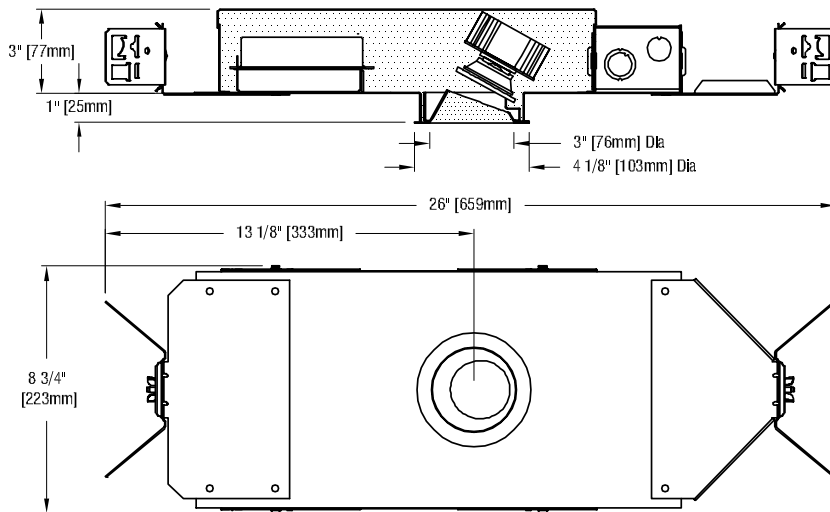


STANDARD INSTALLATION DESIGN

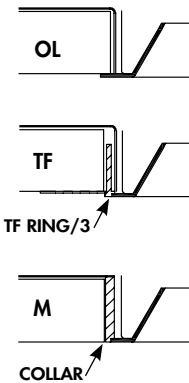
Requires ceiling opening of 3 3/4" (95mm) for Overlap Detail.
 Requires ceiling opening of 4" (102mm) for Trim Flush Detail.
 Requires minimum ceiling opening of 3.90" (99mm) for Millwork Trim Detail.



RESIDENTIAL INSTALLATION DESIGN (-RI)



EXTERNAL REFLECTOR TRIM DETAILS



STANDARD DMV DRIVER INFORMATION (UL Class 2, dry and damp location)

Voltage	120	277
Input Watts (I108H/I10H/I12H/I10S/I12S/I15S)	9/10/13/9/10/13	9/10/13/9/10/13
Input Current (A) (I108H/I10H/I12H/I10S/I12S/I15S)	08/08/11/08/08/11	04/04/06/04/04/06
Output Current (mA)	350-700	350-700
Min. Power Factor	.99	.99
Operating Temperature Range (F)	-13 to 122	-13 to 122

LIGHT OUTPUT MULTIPLIER

LED Light Engine	Light Output Multiplier	RX Light Output Multiplier
800 Lumens 90 CRI	0.84*	.55
1000 Lumens 90 CRI	1	.55
1200 Lumens 90 CRI	1.23*	.55
1000 Lumens 80 CRI	1.04*	.67
1200 Lumens 80 CRI	1.24*	.67
1500 Lumens 80 CRI	1.53*	.67

*estimated values

REFLECTOR COLOR MULTIPLIERS

Slightly diffuse clear (V)	1
Fully diffuse clear (EC)	.90
Champagne gold clear (G)	1
Specular white (W)	.70
Black (B)	.40

– photometrics continued below –

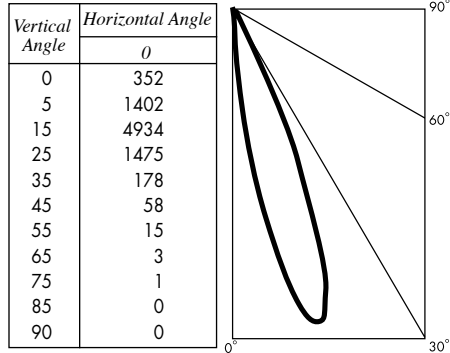


PHOTOMETRIC REPORT with 12° lens (tested per IESNA LM-79-2008)

Verification Services Report No. 11863545.06. Original test report furnished upon request.

Luminaire recessed LED round accent light with semi-specular clear aluminum reflector, LED aimed at 15° above vertical.+
 Light Source Cree CXB1310 LED with 12° beam spread integral lens, 2700K CCT, 90 CRI, 1000 lumens

CANDLEPOWER DISTRIBUTION (Candela)



LUMINAIRE LIGHT OUTPUT AND EFFICACY

LED Light Engine	Luminaire Light Output	Luminaire CBCP	Luminaire Efficacy (lms/watt)	System Wattage	RX Light Output (90 min. run)
800 Lumens 90 CRI	446*	4145*	50*	9	292*
1000 Lumens 90 CRI	531	4934	52	10	292*
1200 Lumens 90 CRI	653*	6069*	50*	13	292*
1000 Lumens 80 CRI	552*	5131*	61*	9	356*
1200 Lumens 80 CRI	658*	6118*	66*	10	356*
1500 Lumens 80 CRI	812*	7549*	62*	13	356*

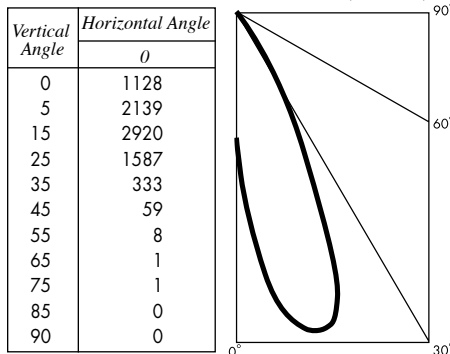
*estimated values

PHOTOMETRIC REPORT with 20° lens (tested per IESNA LM-79-2008)

Verification Services Report No. 11863545.07. Original test report furnished upon request.

Luminaire recessed LED round accent light with semi-specular clear aluminum reflector, LED aimed at 15° above vertical.+
 Light Source Cree CXB1310 LED with 20° beam spread integral lens, 2700K CCT, 90 CRI, 1000 lumens

CANDLEPOWER DISTRIBUTION (Candela)



LUMINAIRE LIGHT OUTPUT AND EFFICACY

LED Light Engine	Luminaire Light Output	Luminaire CBCP	Luminaire Efficacy (lms/watt)	System Wattage	RX Light Output (90 min. run)
800 Lumens 90 CRI	539*	2453*	60*	9	353*
1000 Lumens 90 CRI	641	2920	62	10	353*
1200 Lumens 90 CRI	789*	3592*	61*	13	353*
1000 Lumens 80 CRI	667*	3037*	74*	9	430*
1200 Lumens 80 CRI	795*	3621*	80*	10	430*
1500 Lumens 80 CRI	981*	4468*	75*	13	430*

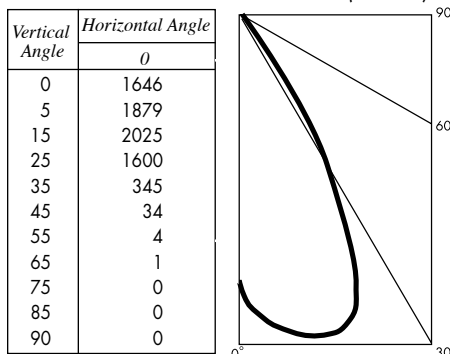
*estimated values

PHOTOMETRIC REPORT with 36° lens (tested per IESNA LM-79-2008)

Verification Services Report No. 11863545.08. Original test report furnished upon request.

Luminaire recessed LED round accent light with semi-specular clear aluminum reflector, LED aimed at 15° above vertical.+
 Light Source Cree CXB1310 LED with 36° beam spread integral lens, 2700K CCT, 90 CRI, 1000 lumens

CANDLEPOWER DISTRIBUTION (Candela)



LUMINAIRE LIGHT OUTPUT AND EFFICACY

LED Light Engine	Luminaire Light Output	Luminaire CBCP	Luminaire Efficacy (lms/watt)	System Wattage	RX Light Output (90 min. run)
800 Lumens 90 CRI	586*	1701*	65*	9	384*
1000 Lumens 90 CRI	698	2025	67	10	384*
1200 Lumens 90 CRI	859*	2491*	66*	13	384*
1000 Lumens 80 CRI	726*	2106*	81*	9	468*
1200 Lumens 80 CRI	866*	2511*	87*	10	468*
1500 Lumens 80 CRI	1068*	3098*	82*	13	468*

*estimated values