

CHP WAFER/3 WL

recessed shallow Chicago Plenum LED wallwasher



FULLY SUSTAINABLE – FULLY SUSTAINABLE – FULLY SUSTAINABLE – FULLY SUSTAINABLE – FULLY SUSTAINABLE – FULLY SUSTAINABLE – FULLY SUSTAINABLE



FEATURES

- **CHP WAFER/3 WL is a 3" aperture LED wallwasher** with an overall depth of 4 1/8" (housing depth of 3 1/8" plus a 1" throat).
- **Luminaire** is detailed for use in a 'Chicago Plenum' ceiling.
- **The optical assembly consists of an internal reflector** and 40° x 70° glass spread lens.
- **Luminaire is powered by one of a number of Cree Chip on board LED's.** See below for wattages and efficacies.
- **External reflectors are available in three clear natural aluminum colors** – semi-specular (C), slightly diffuse (V) or fully diffuse (EC) – as well as champagne gold, black Alzak® and specular white enamel. Other finishes are available on special order.
- **CHP WAFER/3 WL includes a pair of mounting bars** (3/4" x 27" C channel). Specialty bars for wood and T-bar installations are also available.
- **For more information, [click here.](#)**

APPLICATIONS

Luminaire is listed as an inherently protected luminaire for Damp Location and is additionally listed for City of Chicago Environmental Air (CCEA). Luminaire is RoHS compliant, is suitable for use in a fire rated ceiling. Removal of the external reflector allows access to the LED module and junction box.

PRODUCT CODE

For complete product code, list basic unit and select one item from each following box.

Basic Unit W3CHP-CLT-WL

Light Source Output (Lumens)

800 lumens / CRI 90+	2700K & 3000K only	- L08H
1000 lumens	2700K & 3000K only	- L10H
1200 lumens	2700K & 3000K only	- L12H
1000 lumens / CRI 80+	- L10S
1200 lumens	- L12S
1500 lumens	- L15S

Driver

dimmable to 1% by a 0-10V dimmer on 120 Or 277-volt service	- DMV
dimmable to 5% by either an incandescent or electronic low voltage dimmer only; 120-volt service only	- DMP
dimmable to 1% by a Lutron (2-wire) incandescent dimmer	- DMILU
dimmable to 1% by a Lutron EcoSystem control	- ECO-LU
eldoLED 0-10V (Logarithmic) driver dimmable to 0.1% with a 0-10V dimmer	- DVOELG
eldoLED 0-10V (Linear) driver dimmable to 0.1% with a 0-10V dimmer	- DVOELN
eldoLED driver dimmable to 0.1% with DALI control system	- DAO-EL

Light Color

2700 K	- 27K
3000 K	- 30K
3500 K	- 35K
4000 K	- 40K

External Reflector Color and Trim

	Overlap	Trim Flush*
Semi-specular Clear	COL	CTF
Slightly diffuse Clear	VOL	VTF
Fully diffuse Clear	ECOL	ECTF
Champagne Gold	GOL	GTF
Black	BOL	BTF
White	WOL	WTF

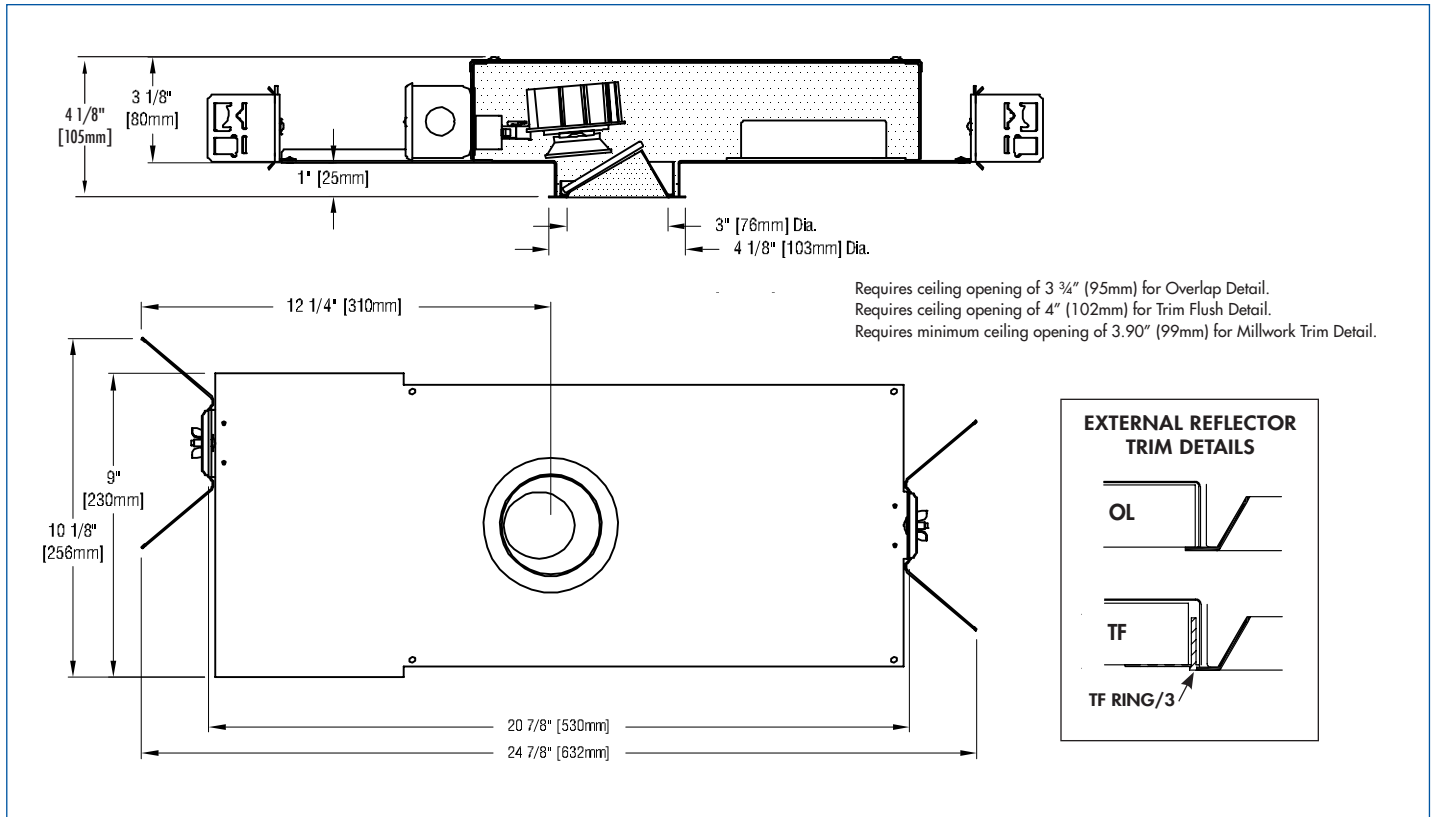
Standard reflector flange continues reflector finish. White painted flanges and custom painted flanges are available on special order. Add WF (white flange) or CCF (custom color flange).

*Trim Flush reflector trim requires the use of a **plaster ring** Accessory (see below).

ACCESSORIES *Specify as a separate line item.*

Plaster ring allows use of 3 3/4" OD Trim Flush (-TF) reflector in sheetrock ceiling; 4" dia hole required..... TF RING/3





– see below for photometric reports –



PHOTOMETRIC REPORT (tested per IESNA LM-79-2008)

UL Verification Services Report No. 11863545.13. Original test report furnished upon request.

Luminaire recessed LED lensed wallwasher with internal lens and semi-specular clear aluminum reflector
 Light Source Cree CXB1310 LED with 36° beam spread integral lens, 2700K CCT, 90 CRI, 1000 lumens
 Lamp Life rated 50,000 hours based on L70/B50 criteria. LM80 report LED manufacturer furnished upon request

WALLWASH INFORMATION 1000 LUMENS LED

Distance From Ceiling (Feet)	3' From Wall; 3' O.C.		3' 6" From Wall; 3' 6" O.C.	
	Below Fixture	Between Fixtures	Below Fixture	Between Fixtures
1	9	7	6	5
2	12	10	9	7
3	13	11	9	8
4	12	11	9	8
5	10	10	9	8
6	8	8	7	7
7	6	6	6	6
8	5	5	5	5
9	4	4	4	4
10	3	3	3	3

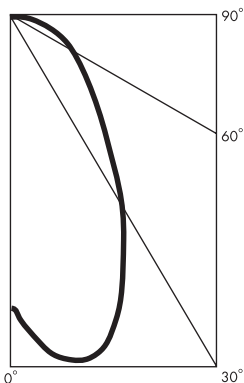
All vertical footcandles are initial values with no contribution from ceiling or floor reflectances. Computation performed with a total of ten wallwashers.

WALLWASH INFORMATION 1500 LUMENS LED

Distance From Ceiling (Feet)	3' From Wall; 3' O.C.		3' 6" From Wall; 3' 6" O.C.	
	Below Fixture	Between Fixtures	Below Fixture	Between Fixtures
1	14	10	10	7
2	19	16	13	11
3	20	17	14	12
4	19	16	14	12
5	16	15	13	12
6	12	12	11	10
7	10	9	9	9
8	7	7	7	7
9	6	6	6	6
10	5	5	5	5

All vertical footcandles are initial values with no contribution from ceiling or floor reflectances. Computation performed with a total of ten wallwashers.

CANDLEPOWER DISTRIBUTION (Candela)



LUMINAIRE LIGHT OUTPUT AND EFFICACY

	Luminaire Light Output	Luminaire Efficacy (lms/watt)	System Wattage	RX Light Output (90 min. run)
LED Light Engine				
800 Lumens 90 CRI	306*	34*	9	200*
1000 Lumens 90 CRI	364	34	10	200*
1200 Lumens 90 CRI	448*	34*	13	200*
1000 Lumens 80 CRI	378*	42*	9	244*
1200 Lumens 80 CRI	451*	45*	10	244*
1500 Lumens 80 CRI	557*	43*	13	244*

*estimated values

REFLECTOR COLOR MULTIPLIERS

Slightly diffuse clear (V)	1
Fully diffuse clear (EC)	.90
Champagne gold clear (G)	1
Specular white (W)	.70
Black (B)	.40

STANDARD DMV DRIVER INFORMATION (UL Class 2, dry and damp location)

	120	277
Voltage	120	277
Input Watts (L08H/L10H/L12H/L10S/L12S/L15S)	9/10/13/9/10/13	9/10/13/9/10/13
Input Current (A) (L08H/L10H/L12H/L10S/L12S/L15S)	08/08/11/08/08/11	04/04/06/04/04/06
Output Current (mA)	350-700	350-700
Min. Power Factor	.99	.99
Operating Temperature Range (F)	-13 to 122	-13 to 122

LIGHT OUTPUT MULTIPLIER

LED Light Engine	Light Output Multiplier	RX Light Output Multiplier
800 Lumens 90 CRI	0.84*	.55
1000 Lumens 90 CRI	1	.55
1200 Lumens 90 CRI	1.23*	.55
1000 Lumens 80 CRI	1.04*	.67
1200 Lumens 80 CRI	1.24*	.67
1500 Lumens 80 CRI	1.53*	.67

*estimated values