

Project

Date Product Code

Type

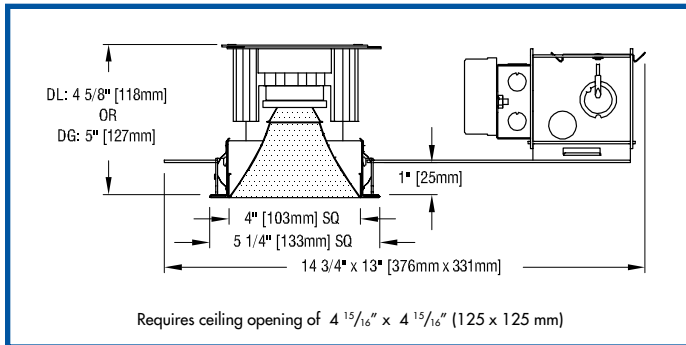
Designer



SQUARE DL/4

recessed LED downlight

FULLY SUSTAINABLE – FULLY SUSTAINABLE – FULLY SUSTAINABLE – FULLY SUSTAINABLE – FULLY SUSTAINABLE – FULLY SUSTAINABLE – FULLY SUSTAINABLE



- **SQUARE DL/4 is a 4" square LED downlight.** Luminaire is powered by one of a number of Xicato 19mm XTM LED modules, distinguished by extraordinary color consistency (within 1x2-step MacAdam ellipse). See tables below for wattages and efficacies.
- **Precise reflector design minimizes aperture brightness,** virtually eliminates the inter-reflections inherent with square apertures and provides a shielding angle of 45°.
- **Luminaire may be specified** in one of two depths:
 - 4 5/8" deep housing does not accept a glass option; or
 - 5" deep housing accepts one of two glass options: a clear protective glass shield (GLS); a prismatic lens (PRS); or a sandblasted Solite pattern prismatic lens (WLS).
- **External reflectors** are available in slightly diffuse clear natural aluminum, champagne gold Alzak® or specular white paint finishes. Other reflector finishes are available on special order.
- **Housing is constructed from 14-gauge and 16-gauge electro-zinc steel** in Edison Price Lighting's American factory. Heavy-gauge metals and American manufacturing guarantee long-lasting durability.
- **Luminaire includes a pair of mounting bars** (3/4" x 27" C channel). Specialty bars for wood joist and T-bar installations are also available.
- **For more information, [click here](#).**

APPLICATIONS

Luminaire is listed for Damp Location. Luminaire is prewired with thermal protector and approved for ten #12 wire 90° branch circuit pull-through wiring. To maximize LED engine life, follow the spacing requirements detailed in the box below. All luminaires are RoHS compliant. Removal of the reflector allows access to the junction box.



SPACING REQUIREMENTS

Two models – L25S and L25V – must be spaced 30" apart (O.C.) and 15" from walls, with 1/2" clearance above housing.

MODIFICATION AVAILABLE

Contact factory with quantity for pricing; orders may require shop drawing approval. +DOD: luminaire suitable for high humidity environments; add +DOD to Product Code.

For Trimless Square aperture model, see [PRIM SQUARE DL/4](#)

For shallower depths and lower pricing, see [WAFER SQUARE/4 DL](#)

PRODUCT CODE

For complete product code, list basic unit and select one item from each following box.

Basic Unit

4 5/8" depth; no space for glass S4-XTM-DL
 5" depth; chose one of three glass options below S4-XTM-DG

Driver

dimmbble to 1% by a 0-10V dimmer on 120 or 277-volt service - DMV
 dimmbble to 5% or 10% (see Light Source Output box below)
 by either an incandescent or ELV dimmer; 120-volt service only - DMP
 eldoLED 0-10V (Logarithmic) driver dimmable to 0.1% with a
 0-10V dimmer on 120 or 277-volt service - DV0ELG
 eldoLED 0-10V (Linear) driver dimmable to 0.1% with a
 0-10V dimmer on 120 or 277-volt service - DV0ELN
 eldoLED driver dimmable to 0.1%, compatible with
 DALI control system - DAO-EL
 Moons' driver dimmable to 0.1%, compatible with DMX controllers - DXO

Light Source Output (Lumens) Choose one.

| | | | |
|--------------------------------|-------------------|----------------|------|
| 700L / CRI 98 Artist | DMP (10%) | L07A | |
| 1000L / CRI 98 | DMP (5%) | L10A | |
| 1400L / CRI 98 | DMP (5%) | L14A | |
| 2100L / CRI 98 | DMP (5%) | L21A | |
| 1000L / CRI 90 Designer | DMP (5%) | L10H | |
| 1300L / CRI 90 | DMP (5%) | L13H | |
| 1600L / CRI 90 | DMP (5%) | L16H | |
| 2100L / CRI 90 | DMP (5%) | L21H | |
| 2500L / CRI 90 | DMP (5%) | L25H | |
| 1000L / CRI 80+ Vibrant | DMP (10%) | L10V | |
| 1300L / CRI 80+ | DMP (10%) | L13V | |
| 1600L / CRI 80+ | DMP (5%) | L16V | |
| 2100L / CRI 80+ | DMP (5%) | L21V | |
| 2500L / CRI 80+ | see SPACING | DMP (5%) | L25V |
| 1000L / CRI 80+ standard | DMP (10%) | L10S | |
| 1300L / CRI 80+ | DMP (10%) | L13S | |
| 1600L / CRI 80+ | DMP (5%) | L16S | |
| 2100L / CRI 80+ | DMP (5%) | L21S | |
| 2500L / CRI 80+ | see SPACING | DMP (5%) | L25S |

Vibrant available in 3000K only. Designer available in 2700K or 3000K

Light Engine Color

| | |
|-------------|-----|
| 2700K | 27K |
| 3000K | 30K |
| 3500K | 35K |
| 4000K | 40K |

Voltage

| | |
|------------------------|-----|
| 120 volt service | 120 |
| 277 volt service | 277 |

Reflector Color and Detail

| | |
|------------------------------|-----|
| Slightly diffuse Clear | VOL |
| Champagne Gold | GOL |
| Specular White | WOL |

Other reflector finishes available on special order.

Standard reflector flange continues reflector finish. White painted flanges and custom painted flanges are available on special order. Add WF (white flange) or CCF (custom color flange).

Reflector Glass Options

| | |
|---|-------|
| no glass | |
| clear protective glass shield; 1/8" (3mm) thick | - GLS |
| Solite prismatic lens; 1/8" (3mm) thick | - PRS |
| sandblasted Solite prismatic lens; 1/8" (3mm) thick | - WLS |

OPTIONS Specify by adding to the basic unit.

Remote emergency battery pack including two components – battery and plate with test switch and light – to be mounted adjacent to luminaire; for use only in accessible ceilings - RX



PHOTOMETRIC REPORT (tested per IESNA LM-79-2008)

Prorated from (LTL) Report No. 29796 and 29797. Original Luminaire Testing Laboratories, Inc. (LTL) test reports furnished upon request.

Luminaire recessed LED square downlight with aluminum reflector [NO LENS]
 Lamp Xicato XTM 19mm LES LED module, 1600 lumens, 3000K CCT, 80 CRI
 Lamp Life rated 50,000 hours based on L70/B50 criteria. LM80 report LED manufacturer furnished upon request
 Spacing Criteria 1.0

LIGHT OUTPUT MULTIPLIER

| LED Light Engine | Light Output Multiplier | RX Light Output Multiplier (90-minute run) |
|--------------------------------|-------------------------|--|
| 700 Lumens Artist | .46* | .32* |
| 1000 Lumens Artist | .61* | .32* |
| 1400 Lumens Artist | .84* | .35* |
| 2100 Lumens Artist | 1.3* | .37* |
| 1000 Designer | .62* | .33* |
| 1300 Designer | .83* | .33* |
| 1600 Designer | 1* | .37* |
| 2100 Designer | 1.3* | .37* |
| 2500 Designer | 1.46* | .35* |
| 1000 Lumens standard & Vibrant | .62* | .33* |
| 1300 Lumens standard & Vibrant | .83* | .33* |
| 1600 Lumens standard & Vibrant | 1 | .37* |
| 2100 Lumens standard & Vibrant | 1.3* | .37* |
| 2500 Lumens standard & Vibrant | 1.46* | .35* |

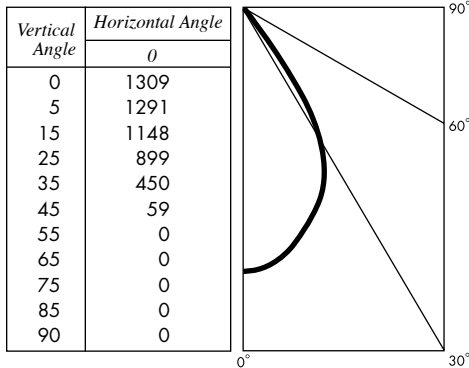
*estimated values

LUMINAIRE LIGHT OUTPUT AND EFFICACY

| LED Light Engine | Luminaire Light Output | Luminaire Efficacy (lms/watt) | System Wattage | RX Light Output (90 min. run) |
|--------------------------------|------------------------|-------------------------------|----------------|-------------------------------|
| 700 Lumens Artist | 583* | 58* | 10 | 406* |
| 1000 Lumens Artist | 773* | 59* | 13 | 406* |
| 1400 Lumens Artist | 1065* | 67* | 16 | 444* |
| 2100 Lumens Artist | 1648* | 66* | 25 | 469* |
| 1000 Designer | 786* | 66* | 12 | 418* |
| 1300 Designer | 1052* | 66* | 16 | 418* |
| 1600 Designer | 1268* | 79* | 16 | 469* |
| 2100 Designer | 1648* | 78* | 21 | 469* |
| 2500 Designer | 1851* | 71* | 26 | 444* |
| 1000 Lumens standard & Vibrant | 786* | 79* | 10 | 418* |
| 1300 Lumens standard & Vibrant | 1052* | 75* | 14 | 418* |
| 1600 Lumens standard & Vibrant | 1268 | 79 | 16 | 469* |
| 2100 Lumens standard & Vibrant | 1648* | 78* | 21 | 469* |
| 2500 Lumens standard & Vibrant | 1851* | 71* | 26 | 444* |

*estimated values

CANDLEPOWER DISTRIBUTION (Candela)



STANDARD DMV DRIVER INFORMATION

(UL Class 2, dry and damp location)

| Voltage | 120 | 277 |
|---------------------------------|------------|------------|
| Input Watts Range (W) | 10 to 26 | 10 to 26 |
| Input Current Range (A) | .08 to .22 | .04 to .09 |
| Output Current (mA) | 350-700 | 350-700 |
| Min. Power Factor | .99 | .99 |
| Operating Temperature Range (F) | -13 to 122 | -13 to 122 |

REFLECTOR COLOR MULTIPLIERS

| | |
|----------------------------|-----|
| Slightly diffuse clear (V) | 1 |
| Champagne gold (G) | 1 |
| Specular White (W) | .70 |
| Black (B) | .40 |

ZONAL LUMEN SUMMARY

| Zone | Lumens | % Fixture |
|---------|--------|-----------|
| 0 - 30° | 854 | 67.4 |
| 0 - 40° | 1173 | 92.6 |
| 0 - 60° | 1268 | 100.0 |
| 0 - 90° | 1268 | 100.0 |
| 90-180° | 0 | 0.0 |
| 0-180° | 1268 | 100.0 |

LUMINANCE DATA (Candela/m²)

| Vertical Angle | Horizontal Angles | |
|----------------|-------------------|-----|
| | 0 | 30° |
| 45 | 8065 | |
| 55 | 0 | |
| 65 | 0 | |
| 75 | 0 | |
| 85 | 0 | |