

Project

Date Product Code

Type

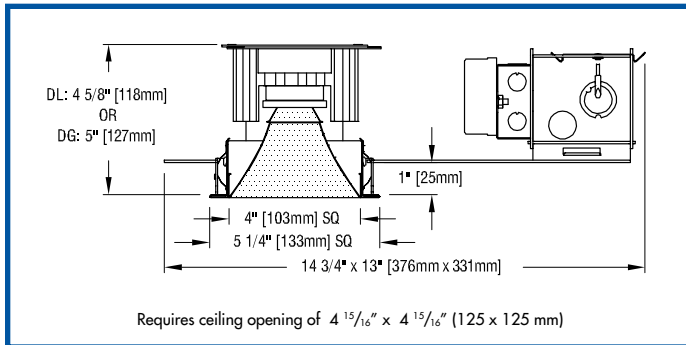
Designer



# SQUARE DL/4

recessed LED downlight

FULLY SUSTAINABLE – FULLY SUSTAINABLE – FULLY SUSTAINABLE – FULLY SUSTAINABLE – FULLY SUSTAINABLE – FULLY SUSTAINABLE – FULLY SUSTAINABLE



- **SQUARE DL/4 is a 4" square LED downlight.** Luminaire is powered by one of a number of Xicato 19mm XTM LED modules, distinguished by extraordinary color consistency (within 1x2-step MacAdam ellipse). See tables below for wattages and efficacies.
- **Precise reflector design minimizes aperture brightness,** virtually eliminates the inter-reflections inherent with square apertures and provides a shielding angle of 45°.
- **Luminaire may be specified** in one of two depths:
  - 4 5/8" deep housing does not accept a glass option; or
  - 5" deep housing accepts one of two glass options: a clear protective glass shield (GLS); a prismatic lens (PRS); or a sandblasted Solite pattern prismatic lens (WLS).
- **External reflectors are available in slightly diffuse clear natural aluminum,** champagne gold Alzak® or specular white paint finishes. Other reflector finishes are available on special order.
- **Luminaire includes a pair of mounting bars** (3/4" x 27" C channel). Specialty bars for wood joist and T-bar installations are also available.
- **For more information, [click here.](#)**

## APPLICATIONS

Luminaire is listed for Damp Location. Luminaire is prewired with thermal protector and approved for ten #12 wire 90° branch circuit pull-through wiring. To maximize LED engine life, follow the spacing requirements detailed in the box below. All luminaires are RoHS compliant. Removal of the reflector allows access to the junction box.



### SPACING REQUIREMENTS

Two models – L25S and L25V – must be spaced 30" apart (O.C.) and 15" from walls, with 1/2" clearance above housing.

### MODIFICATION AVAILABLE

Contact factory with quantity for pricing; orders may require shop drawing approval.

**+DOD:** luminaire suitable for **high humidity** environments; add +DOD to Product Code.

## PRODUCT CODE

For complete product code, list basic unit and select one item from each following box.

### Basic Unit

4 5/8" depth; no space for glass ..... S4-XTM-DL  
5" depth; chose one of three glass options below ..... S4-XTM-DG

### Driver

dimmbble to 1% by a 0-10V dimmer on 120 or 277-volt service ..... - DMV  
dimmbble to 5% or 10% (see Light Source Output box below)  
by either an incandescent or ELV dimmer; 120-volt service only ..... - DMP  
eldoLED 0-10V (Logarithmic) driver dimmable to 0.1% with a  
0-10V dimmer on 120 or 277-volt service ..... - DV0ELG  
eldoLED 0-10V (Linear) driver dimmable to 0.1% with a  
0-10V dimmer on 120 or 277-volt service ..... - DV0ELN  
eldoLED driver dimmable to 0.1%, compatible with  
DALI control system ..... - DAO-EL  
Moons' driver dimmable to 0.1%, compatible with DMX controllers ..... - DXO

### Light Source Output (Lumens) Choose one.

700L / CRI 98 Artist .....	DMP (10%) .....	L07A	
1000L / CRI 98 .....	DMP (5%) .....	L10A	
1400L / CRI 98 .....	DMP (5%) .....	L14A	
2100L / CRI 98 .....	DMP (5%) .....	L21A	
1000L / CRI 90 Designer .....	DMP (5%) .....	L10H	
1300L / CRI 90 .....	DMP (5%) .....	L13H	
1600L / CRI 90 .....	DMP (5%) .....	L16H	
2100L / CRI 90 .....	DMP (5%) .....	L21H	
2500L / CRI 90 .....	DMP (5%) .....	L25H	
1000L / CRI 80+ Vibrant .....	DMP (10%) .....	L10V	
1300L / CRI 80+ .....	DMP (10%) .....	L13V	
1600L / CRI 80+ .....	DMP (5%) .....	L16V	
2100L / CRI 80+ .....	DMP (5%) .....	L21V	
2500L / CRI 80+ .....	see SPACING .....	DMP (5%) .....	L25V
1000L / CRI 80+ standard .....	DMP (10%) .....	L10S	
1300L / CRI 80+ .....	DMP (10%) .....	L13S	
1600L / CRI 80+ .....	DMP (5%) .....	L16S	
2100L / CRI 80+ .....	DMP (5%) .....	L21S	
2500L / CRI 80+ .....	see SPACING .....	DMP (5%) .....	L25S

**Vibrant available in 3000K only. Designer available in 2700K or 3000K**

### Light Engine Color

2700K .....	27K
3000K .....	30K
3500K .....	35K
4000K .....	40K

### Voltage

120 volt service .....	120
277 volt service .....	277

### Reflector Color and Detail

Slightly diffuse Clear .....	VOL
Champagne Gold .....	GOL
Specular White .....	WOL
Other reflector finishes available on special order.	
Standard reflector flange continues reflector finish. White painted flanges and custom painted flanges are available on special order. Add WF (white flange) or CCF (custom color flange).	

### Reflector Glass Options

no glass .....	
clear protective glass shield; 1/8" (3mm) thick .....	- GLS
Solite prismatic lens; 1/8" (3mm) thick .....	- PRS
sandblasted Solite prismatic lens; 1/8" (3mm) thick .....	- WLS

## OPTIONS Specify by adding to the basic unit.

**Remote emergency battery pack** including two components – battery and plate with test switch and light – to be mounted adjacent to luminaire; for use only in accessible ceilings ..... - RX



## PHOTOMETRIC REPORT (tested per IESNA LM-79-2008)

Prorated from (LTL) Report No. 29796 and 29797. Original Luminaire Testing Laboratories, Inc. (LTL) test reports furnished upon request.

Luminaire ..... recessed LED square downlight with aluminum reflector [NO LENS]

Lamp ..... Xicato XTM 19mm LES LED module, 1600 lumens, 3000K CCT, 80 CRI

Lamp Life ..... rated 50,000 hours based on L70/B50 criteria. LM80 report LED manufacturer furnished upon request

Spacing Criteria ..... 1.0

### LIGHT OUTPUT MULTIPLIER

LED Light Engine	Light Output Multiplier	RX Light Output Multiplier (90-minute run)
700 Lumens Artist	.46*	.32*
1000 Lumens Artist	.61*	.32*
1400 Lumens Artist	.84*	.35*
2100 Lumens Artist	1.3*	.37*
1000 Designer	.62*	.33*
1300 Designer	.83*	.33*
1600 Designer	1*	.37*
2100 Designer	1.3*	.37*
2500 Designer	1.46*	.35*
1000 Lumens standard & Vibrant	.62*	.33*
1300 Lumens standard & Vibrant	.83*	.33*
1600 Lumens standard & Vibrant	1	.37*
2100 Lumens standard & Vibrant	1.3*	.37*
2500 Lumens standard & Vibrant	1.46*	.35*

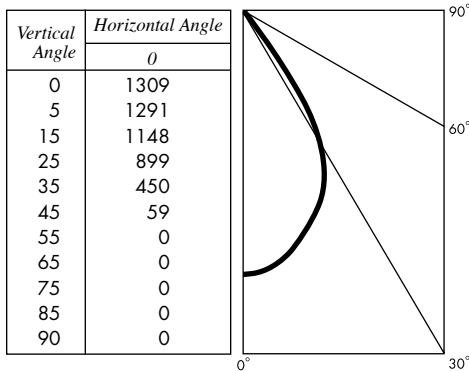
\*estimated values

### LUMINAIRE LIGHT OUTPUT AND EFFICACY

LED Light Engine	Luminaire Light Output	Luminaire Efficacy (lms/watt)	System Wattage	RX Light Output (90 min. run)
700 Lumens Artist	583*	58*	10	406*
1000 Lumens Artist	773*	59*	13	406*
1400 Lumens Artist	1065*	67*	16	444*
2100 Lumens Artist	1648*	66*	25	469*
1000 Designer	786*	66*	12	418*
1300 Designer	1052*	66*	16	418*
1600 Designer	1268*	79*	16	469*
2100 Designer	1648*	78*	21	469*
2500 Designer	1851*	71*	26	444*
1000 Lumens standard & Vibrant	786*	79*	10	418*
1300 Lumens standard & Vibrant	1052*	75*	14	418*
1600 Lumens standard & Vibrant	1268	79	16	469*
2100 Lumens standard & Vibrant	1648*	78*	21	469*
2500 Lumens standard & Vibrant	1851*	71*	26	444*

\*estimated values

### CANDLEPOWER DISTRIBUTION (Candela)



### STANDARD DMV DRIVER INFORMATION

(UL Class 2, dry and damp location)

Voltage	120	277
Input Watts Range (W)	10 to 26	10 to 26
Input Current Range (A)	.08 to .22	.04 to .09
Output Current (mA)	350-700	350-700
Min. Power Factor	.99	.99
Operating Temperature Range (F)	-13 to 122	-13 to 122

### REFLECTOR COLOR MULTIPLIERS

Slightly diffuse clear (V)	1
Champagne gold (G)	1
Specular White (W)	.70
Black (B)	.40

### ZONAL LUMEN SUMMARY

Zone	Lumens	% Fixture
0 - 30°	854	67.4
0 - 40°	1173	92.6
0 - 60°	1268	100.0
0 - 90°	1268	100.0
90-180°	0	0.0
0-180°	1268	100.0

### LUMINANCE DATA (Candela/m²)

Vertical Angle	Horizontal Angles	
	0	
45	8065	
55	0	
65	0	
75	0	
85	0	