

Project

Date Product Code

Type

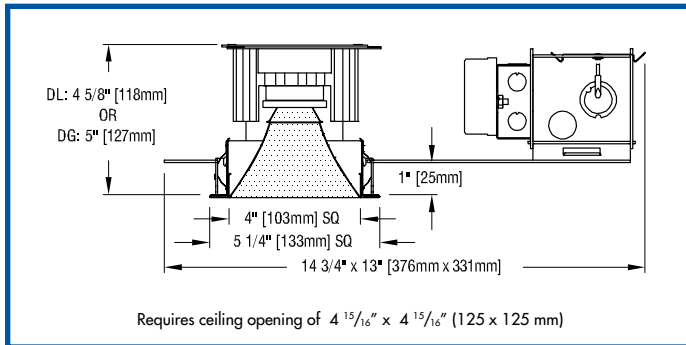
Designer



SQUARE DL/4

recessed LED downlight

FULLY SUSTAINABLE – FULLY SUSTAINABLE – FULLY SUSTAINABLE – FULLY SUSTAINABLE – FULLY SUSTAINABLE – FULLY SUSTAINABLE – FULLY SUSTAINABLE



- **SQUARE DL/4 is a 4" square LED downlight.** Luminaire is powered by one of a number of Xicato 19mm XTM LED modules, distinguished by extraordinary color consistency (within 1x2-step MacAdam ellipse). See tables below for wattages and efficacies.
- **Precise reflector design minimizes aperture brightness,** virtually eliminates the inter-reflections inherent with square apertures and provides a shielding angle of 45°.
- **Luminaire may be specified** in one of two depths:
 - 4 5/8" deep housing does not accept a glass option; or
 - 5" deep housing accepts one of two glass options: a clear protective glass shield (GLS); a prismatic lens (PRS); or a sandblasted Solite pattern prismatic lens (WLS).
- **External reflectors are available in slightly diffuse clear natural aluminum,** champagne gold Alzak® or specular white paint finishes. Other reflector finishes are available on special order.
- **Luminaire includes a pair of mounting bars** (3/4" x 27" C channel). Specialty bars for wood joist and T-bar installations are also available.
- **For more information, [click here.](#)**

APPLICATIONS

Luminaire is listed for Damp Location. Luminaire is prewired with thermal protector and approved for ten #12 wire 90° branch circuit pull-through wiring. To maximize LED engine life, follow the spacing requirements detailed in the box below. All luminaires are RoHS compliant. Removal of the reflector allows access to the junction box.



SPACING REQUIREMENTS

Two models – L25S and L25V – must be spaced 30" apart (O.C.) and 15" from walls, with 1/2" clearance above housing.

MODIFICATION AVAILABLE

Contact factory with quantity for pricing; orders may require shop drawing approval.
+DOD: luminaire suitable for **high humidity** environments; add +DOD to Product Code.

For Trimless Square aperture model, see [PRIM SQUARE DL/4](#)

PRODUCT CODE

For complete product code, list basic unit and select one item from each following box.

Basic Unit

- 4 5/8" depth; no space for glass S4-XTM-DL
- 5" depth; chose one of three glass options below S4-XTM-DG

Driver

- dimmbble to 1% by a 0-10V dimmer on 120 or 277-volt service - DMV
- dimmbble to 5% or 10% (see Light Source Output box below) by either an incandescent or ELV dimmer; 120-volt service only - DMP
- eldoLED 0-10V (Logarithmic) driver dimmable to 0.1% with a 0-10V dimmer on 120 or 277-volt service - DV0ELG
- eldoLED 0-10V (Linear) driver dimmable to 0.1% with a 0-10V dimmer on 120 or 277-volt service - DV0ELN
- eldoLED driver dimmable to 0.1%, compatible with DALI control system - DAO-EL
- Moons' driver dimmable to 0.1%, compatible with DMX controllers - DXO

Light Source Output (Lumens) Choose one.

700L / CRI 98 Artist	DMP (10%)	L07A
1000L / CRI 98	DMP (5%)	L10A
1400L / CRI 98	DMP (5%)	L14A
2100L / CRI 98	DMP (5%)	L21A
1000L / CRI 90 Designer	DMP (5%)	L10H
1300L / CRI 90	DMP (5%)	L13H
1600L / CRI 90	DMP (5%)	L16H
2100L / CRI 90	DMP (5%)	L21H
2500L / CRI 90	DMP (5%)	L25H
1000L / CRI 80+ Vibrant	DMP (10%)	L10V
1300L / CRI 80+	DMP (10%)	L13V
1600L / CRI 80+	DMP (5%)	L16V
2100L / CRI 80+	DMP (5%)	L21V
2500L / CRI 80+	see SPACING	DMP (5%) L25V
1000L / CRI 80+ standard	DMP (10%)	L10S
1300L / CRI 80+	DMP (10%)	L13S
1600L / CRI 80+	DMP (5%)	L16S
2100L / CRI 80+	DMP (5%)	L21S
2500L / CRI 80+	see SPACING	DMP (5%) L25S

Vibrant available in 3000K only. Designer available in 2700K or 3000K

Light Engine Color

2700K	27K
3000K	30K
3500K	35K
4000K	40K

Voltage

120 volt service	120
277 volt service	277

Reflector Color and Detail

	Overlap
Slightly diffuse Clear	VOL
Champagne Gold	GOL
Specular White	WOL

Other reflector finishes available on special order.
 Standard reflector flange continues reflector finish. White painted flanges and custom painted flanges are available on special order. Add WF (white flange) or CCF (custom color flange).

Reflector Glass Options

- no glass
- clear protective glass shield; 1/8" (3mm) thick - GLS
- Solite prismatic lens; 1/8" (3mm) thick - PRS
- sandblasted Solite prismatic lens; 1/8" (3mm) thick - WLS

OPTIONS

Specify by adding to the basic unit.

- Remote emergency battery pack** including two components – battery and plate with test switch and light – to be mounted adjacent to luminaire; for use only in accessible ceilings - RX



PHOTOMETRIC REPORT (tested per IESNA LM-79-2008)

Prorated from (LTL) Report No. 29796 and 29797. Original Luminaire Testing Laboratories, Inc. (LTL) test reports furnished upon request.

Luminaire recessed LED square downlight with aluminum reflector [NO LENS]

Lamp Xicato XTM 19mm LES LED module, 1600 lumens, 3000K CCT, 80 CRI

Lamp Life rated 50,000 hours based on L70/B50 criteria. LM80 report LED manufacturer furnished upon request

Spacing Criteria 1.0

LIGHT OUTPUT MULTIPLIER

LED Light Engine	Light Output Multiplier	RX Light Output Multiplier (90-minute run)
700 Lumens Artist	.46*	.32*
1000 Lumens Artist	.61*	.32*
1400 Lumens Artist	.84*	.35*
2100 Lumens Artist	1.3*	.37*
1000 Designer	.62*	.33*
1300 Designer	.83*	.33*
1600 Designer	1*	.37*
2100 Designer	1.3*	.37*
2500 Designer	1.46*	.35*
1000 Lumens standard & Vibrant	.62*	.33*
1300 Lumens standard & Vibrant	.83*	.33*
1600 Lumens standard & Vibrant	1	.37*
2100 Lumens standard & Vibrant	1.3*	.37*
2500 Lumens standard & Vibrant	1.46*	.35*

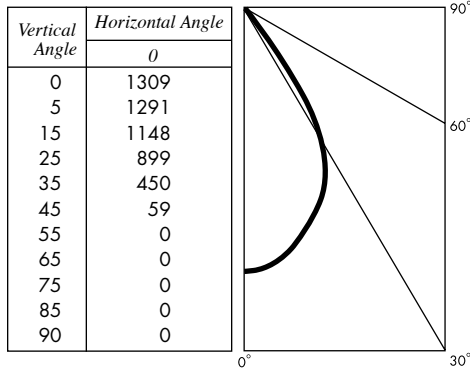
*estimated values

LUMINAIRE LIGHT OUTPUT AND EFFICACY

LED Light Engine	Luminaire Light Output	Luminaire Efficacy (lms/watt)	System Wattage	RX Light Output (90 min. run)
700 Lumens Artist	583*	58*	10	406*
1000 Lumens Artist	773*	59*	13	406*
1400 Lumens Artist	1065*	67*	16	444*
2100 Lumens Artist	1648*	66*	25	469*
1000 Designer	786*	66*	12	418*
1300 Designer	1052*	66*	16	418*
1600 Designer	1268*	79*	16	469*
2100 Designer	1648*	78*	21	469*
2500 Designer	1851*	71*	26	444*
1000 Lumens standard & Vibrant	786*	79*	10	418*
1300 Lumens standard & Vibrant	1052*	75*	14	418*
1600 Lumens standard & Vibrant	1268	79	16	469*
2100 Lumens standard & Vibrant	1648*	78*	21	469*
2500 Lumens standard & Vibrant	1851*	71*	26	444*

*estimated values

CANDLEPOWER DISTRIBUTION (Candela)



STANDARD DMV DRIVER INFORMATION

(UL Class 2, dry and damp location)

Voltage	120	277
Input Watts Range (W)	10 to 26	10 to 26
Input Current Range (A)	.08 to .22	.04 to .09
Output Current (mA)	350-700	350-700
Min. Power Factor	.99	.99
Operating Temperature Range (F)	-13 to 122	-13 to 122

REFLECTOR COLOR MULTIPLIERS

Slightly diffuse clear (V)	1
Champagne gold (G)	1
Specular White (W)	.70
Black (B)	.40

ZONAL LUMEN SUMMARY

Zone	Lumens	% Fixture
0 - 30°	854	67.4
0 - 40°	1173	92.6
0 - 60°	1268	100.0
0 - 90°	1268	100.0
90 - 180°	0	0.0
0 - 180°	1268	100.0

LUMINANCE DATA (Candela/m²)

Vertical Angle	Horizontal Angles	
	0	30°
45	8065	
55	0	
65	0	
75	0	
85	0	