

Project

Date Product Code

Type

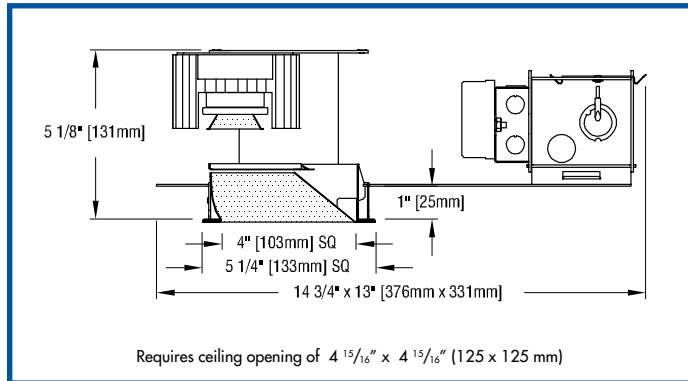
Designer



SQUARE WL/4

recessed lensed LED wallwasher

FULLY SUSTAINABLE – FULLY SUSTAINABLE – FULLY SUSTAINABLE – FULLY SUSTAINABLE – FULLY SUSTAINABLE – FULLY SUSTAINABLE – FULLY SUSTAINABLE



- **SQUARE WL/4 is a 4" square lensed LED wallwasher.** Luminaire is powered by one of a number of Xicato 19mm XTM LED modules, distinguished by extraordinary color consistency (within 1x2-step MacAdam ellipse). See tables below for wattages and efficacies.
- **Luminaire overall depth is 5 1/8"** (housing depth of 4 1/8" plus a 1" throat).
- **A precisely designed reflector and spread lens** distributes light to the top of the wall, minimizes aperture brightness and virtually eliminates the inter-reflections inherent with square apertures.
- **External reflectors** are available in slightly diffuse clear natural aluminum, champagne gold Alzak® or specular white paint finishes. Other reflector finishes are available on special order.
- **Luminaire includes a pair of mounting bars** (3/4" x 27" C channel). Specialty bars for wood joist and T-bar installations are also available.
- **For more information, [click here](#).**

APPLICATIONS

Luminaire is listed for Damp Location. Luminaire is prewired with thermal protector and approved for ten #12 wire 90° branch circuit pull-through wiring. To maximize LED engine life, follow the spacing requirements detailed in the box below. All luminaires are RoHS compliant. Removal of the reflector allows access to the junction box.



SPACING REQUIREMENTS

Two models – L25S and L25V – must be spaced 30" apart (O.C.) and 15" from walls, with 1/2" clearance above housing

MODIFICATION AVAILABLE

Contact factory with quantity for pricing; orders may require shop drawing approval.

+DOD: luminaire suitable for **high humidity** environments; add +DOD to Product Code.

For Trimless Square aperture model, see [PRIM SQUARE WL/4](#)

PRODUCT CODE

For complete product code, list basic unit and select one item from each following box.

Basic Unit	S4-XTM-WL
Driver	
dimable to 1% by a 0-10V dimmer on 120 or 277-volt service	- DMV
dimable to 5% or 10% (see Light Source Output box below) by either an incandescent or ELV dimmer; 120-volt service only	- DMP
eldoLED 0-10V (Logarithmic) driver dimmable to 0.1% with a 0-10V dimmer on 120 or 277-volt service	- DVOELG
eldoLED 0-10V (Linear) driver dimmable to 0.1% with a 0-10V dimmer on 120 or 277-volt service	- DVOELN
eldoLED driver dimmable to 0.1%, compatible with DALI control system	- DA0-EL
Moons' driver dimmable to 0.1%, compatible with DMX controllers	- DX0

Light Source Output (Lumens) Choose one.

700L / CRI 98 Artist	DMP (10%)	L07A
1000L / CRI 98	DMP (5%)	L10A
1400L / CRI 98	DMP (5%)	L14A
2100L / CRI 98	DMP (5%)	L21A
1000L / CRI 90 Designer	DMP (5%)	L10H
1300L / CRI 90	DMP (5%)	L13H
1600L / CRI 90	DMP (5%)	L16H
2100L / CRI 90	DMP (5%)	L21H
2500L / CRI 90	DMP (5%)	L25H
1000L / CRI 80+ Vibrant	DMP (10%)	L10V
1300L / CRI 80+	DMP (10%)	L13V
1600L / CRI 80+	DMP (5%)	L16V
2100L / CRI 80+	DMP (5%)	L21V
2500L / CRI 80+	see SPACING	L25V
1000L / CRI 80+ standard	DMP (10%)	L10S
1300L / CRI 80+	DMP (10%)	L13S
1600L / CRI 80+	DMP (5%)	L16S
2100L / CRI 80+	DMP (5%)	L21S
2500L / CRI 80+	see SPACING	L25S

Vibrant available in 3000K only. Designer available in 2700K or 3000K

Light Engine Color

2700K	27K
3000K	30K
3500K	35K
4000K	40K

Voltage

120 volt service	120
277 volt service	277

Reflector Color and Detail

Slightly diffuse Clear	VOL	Overlap
Champagne Gold	GOL	
Specular White	WOL	
Other reflector finishes available on special order.		
Standard reflector flange continues reflector finish. White painted flanges and custom painted flanges are available on special order. Add WF (white flange) or CCF (custom color flange).		

OPTIONS Specify by adding to the basic unit.

Remote emergency battery pack including two components – battery and plate with test switch and light – to be mounted adjacent to luminaire; for use only in accessible ceilings- RX



PHOTOMETRIC REPORT (tested per IESNA LM-79-2008)

Prorated from **LTL** Report No. 29799. Original Luminaire Testing Laboratories, Inc. (LTL) test reports furnished upon request.

Luminaire recessed LED square lensed wallwasher with aluminum reflector
 Lamp Xicato 19mm XTM LED module, 1600 lumens, 3000K CCT, 80 CRI
 Lamp Life rated 50,000 hours based on L70/B50 criteria. LM80 report LED manufacturer furnished upon request

WALLWASH INFORMATION 1000 LUMENS LED MODULE

Distance From Ceiling (Feet)	2' 6" From Wall; 2' 6" O.C.		3' From Wall; 2' 6" O.C.	
	Below Fixture	Between Fixtures	Below Fixture	Between Fixtures
1	8	6	5	5
2	16	15	9	10
3	17	17	14	15
4	14	14	14	14
5	10	10	10	10
6	8	8	8	8
7	7	7	7	7
8	5	5	6	6
9			5	5

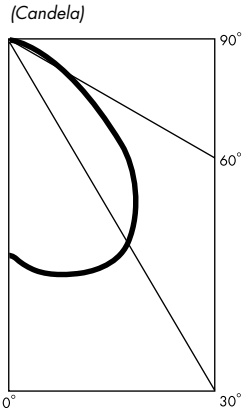
All vertical footcandles are initial values with no contribution from ceiling or floor reflectances. Computation performed with a total of ten wallwashers.

WALLWASH INFORMATION 2100 LUMENS LED MODULE

Distance From Ceiling (Feet)	3' From Wall; 2' 6" O.C.		3' From Wall; 3' O.C.	
	Below Fixture	Between Fixtures	Below Fixture	Between Fixtures
1	9	8	8	6
2	19	20	18	16
3	27	29	23	23
4	26	27	21	22
5	21	21	18	18
6	17	17	14	14
7	13	13	11	11
8	10	11	9	9
9	9	9	7	8
10			6	6

All vertical footcandles are initial values with no contribution from ceiling or floor reflectances. Computation performed with a total of ten wallwashers.

CANDLEPOWER DISTRIBUTION



STANDARD DMV DRIVER INFORMATION

(UL Class 2, dry and damp location)

Voltage	120	277
Input Watts Range (W)	10 to 26	10 to 26
Input Current Range (A)	.08 to .22	.04 to .09
Output Current (mA)	350-700	350-700
Min. Power Factor	.99	.99
Operating Temperature Range (F)	-13 to 122	-13 to 122

REFLECTOR COLOR MULTIPLIERS

Slightly diffuse clear (V)	1
Champagne gold (G)	1
Specular White (W)	.70
Black (B)	.40

LIGHT OUTPUT MULTIPLIER

LED Light Engine	Light Output Multiplier	RX Light Output Multiplier (90-minute run)
700 Lumens Artist	.46*	.32*
1000 Lumens Artist	.61*	.32*
1400 Lumens Artist	.84*	.35*
2100 Lumens Artist	1.3*	.37*
1000 Designer	.62*	.33*
1300 Designer	.83*	.33*
1600 Designer	1*	.37*
2100 Designer	1.3*	.37*
2500 Designer	1.46*	.35*
1000 Lumens standard & Vibrant	.62*	.33*
1300 Lumens standard & Vibrant	.83*	.33*
1600 Lumens standard & Vibrant	1	.37*
2100 Lumens standard & Vibrant	1.3*	.37*
2500 Lumens standard & Vibrant	1.46*	.35*

*estimated values

LUMINAIRE LIGHT OUTPUT AND EFFICACY

LED Light Engine	Luminaire Light Output	Luminaire Efficacy (lms/watt)	System Wattage	RX Light Output (90 min. run)
700 Lumens Artist	274*	27*	10	191*
1000 Lumens Artist	364*	28*	13	191*
1400 Lumens Artist	501*	31*	16	209*
2100 Lumens Artist	775*	31*	25	221*
1000 Designer	370*	31*	12	197*
1300 Designer	495*	31*	16	197*
1600 Designer	596*	37*	16	221*
2100 Designer	775*	37*	21	221*
2500 Designer	870*	33*	26	209*
1000 Lumens standard & Vibrant	370*	37*	10	197*
1300 Lumens standard & Vibrant	495*	35*	14	197*
1600 Lumens standard & Vibrant	596	37	16	221*
2100 Lumens standard & Vibrant	775*	37*	21	221*
2500 Lumens standard & Vibrant	870*	33*	26	209*

*estimated values