

Project

Date Product Code

Type

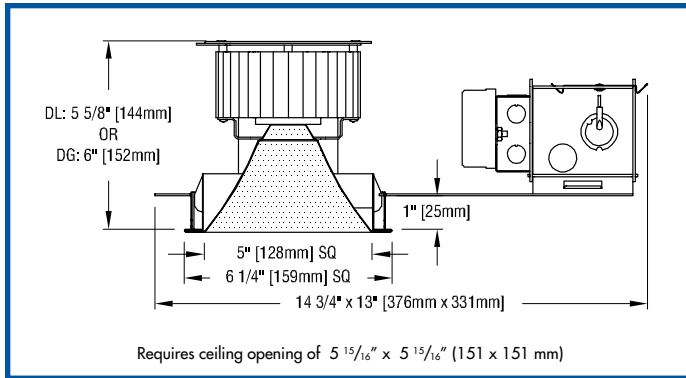
Designer



SQUARE DL/5

recessed LED downlight

FULLY SUSTAINABLE – FULLY SUSTAINABLE – FULLY SUSTAINABLE – FULLY SUSTAINABLE – FULLY SUSTAINABLE – FULLY SUSTAINABLE – FULLY SUSTAINABLE



- **SQUARE DL/5 is a 5" square LED downlight.** Luminaire is powered by one of a number of Xicato 19mm XTM LED modules, distinguished by extraordinary color consistency (within 1x2-step MacAdam ellipse). See tables below for wattages and efficacies.
- **Precise reflector design minimizes aperture brightness,** virtually eliminates the inter-reflections inherent with square apertures and provides a shielding angle of 45°.
- **Luminaire may be specified** in one of two depths:
 - 5 5/8" deep housing does not accept a glass option; or;
 - 6" deep housing accepts one of two glass options: a clear protective glass shield (GLS); a prismatic lens (PRS); or a sandblasted Solite pattern prismatic lens (WLS).
- **External reflectors are available in slightly diffuse clear natural aluminum,** champagne gold Alzak® or specular white paint finishes. Other reflector finishes are available on special order.
- **Luminaire includes a pair of mounting bars** (3/4" x 27" C channel). Specialty bars for wood joist and T-bar installations also available.
- **For more information, [click here.](#)**

APPLICATIONS

Luminaire is listed for Damp Location. Luminaire is prewired with thermal protector and approved for ten #12 wire 90° branch circuit pull-through wiring.

To maximize LED engine life, follow the spacing requirements detailed in the box below.

All luminaires are RoHS compliant. Removal of the reflector allows access to the junction box.



SPACING REQUIREMENTS

Four models – L30S, L30V, L40S and L40V – must be spaced 30" apart (O.C.) and 15" from walls, with 1/2" clearance above housing.

MODIFICATION AVAILABLE

Contact factory with quantity for pricing; orders may require shop drawing approval.

+DOD: luminaire suitable for **high humidity** environments; add +DOD to Product Code.

PRODUCT CODE

For complete product code, list basic unit and select one item from each following box.

Basic Unit

4 5/8" depth; no space for glass S5-XTM-DL
5" depth; chose one of three glass options below S5-XTM-DG

Driver

dimmbble to 1% by a 0-10V dimmer on 120 or 277-volt service - DMV
dimmbble to 5% or 10% (see Light Source Output box below)
by either an incandescent or ELV dimmer; 120-volt service only - DMP
eldoLED 0-10V (Logarithmic) driver dimmable to 0.1% with a
0-10V dimmer on 120 or 277-volt service - DVOELG
eldoLED 0-10V (Linear) driver dimmable to 0.1% with a
0-10V dimmer on 120 or 277-volt service - DVOELN
eldoLED driver dimmable to 0.1%, compatible with
DALI control system - DAO-EL
Moons' driver dimmable to 0.1%, compatible with DMX controllers - DXO

Light Source Output (Lumens) Choose one.

1000L / CRI 98 Artist	DMP (5%)	L10A
1400L / CRI 98	DMP (5%)	L14A
2100L / CRI 98	DMP (5%)	L21A
2700L / CRI 98	L27A
3000L / CRI 98	L30A
1300L / CRI 90 Designer.....	DMP (5%)	L13H
1600L / CRI 90	DMP (5%)	L16H
2100L / CRI 90	DMP (5%)	L21H
3000L / CRI 90.....	DMP (5%)	L30H
1300L / CRI 80+ Vibrant.....	DMP (10%)	L13V
1600L / CRI 80+	DMP (5%)	L16V
2100L / CRI 80+	DMP (5%)	L21V
3000L / CRI 80+	see SPACING	L30V
4000L / CRI 80+	see SPACING	L40V
1300L / CRI 80+ standard	DMP (10%)	L13S
1600L / CRI 80+	DMP (5%)	L16S
2100L / CRI 80+	DMP (5%)	L21S
3000L / CRI 80+	see SPACING	L30S
4000L / CRI 80+	see SPACING	L40S

Vibrant available in 3000K only Designer available in 2700K or 3000K

Light Engine Color

2700K	27K
3000K	30K
3500K	35K
4000K	40K

Voltage

120 volt service.....	120	277 volt service	277
-----------------------	-----	------------------------	-----

Reflector Color and Detail

Slightly diffuse Clear	VOL
Champagne Gold.....	GOL
Specular White	WOL
Black.....	BOL

Other reflector finishes available on special order.

Standard reflector flange continues reflector finish. White painted flanges and custom painted flanges are available on special order. Add WF (white flange) or CCF (custom color flange).

Reflector Glass Options

no glass
clear protective glass shield; 1/8" (3mm) thick	- GLS
Solite prismatic lens; 1/8" (3mm) thick	- PRS
sandblasted Solite prismatic lens; 1/8" (3mm) thick	- WLS

OPTIONS Specify by adding to the basic unit.

Remote emergency battery pack including two components – battery and plate with test switch and light – to be mounted adjacent to luminaire; for use only in accessible ceilings - RX



PHOTOMETRIC REPORT (tested per IESNA LM-79-2008)

Prorated from (LTL) Report No. 29794 and 29795. Original Luminaire Testing Laboratories, Inc. (LTL) test reports furnished upon request.

Luminaire recessed LED square downlight with aluminum reflector [NO LENS]
 Lamp Xicato 19mm XTM LED module, 1600 lumens, 3000K CCT, 80 CRI
 Lamp Life rated 50,000 hours based on L70/B50 criteria. LM80 report LED manufacturer furnished upon request
 Spacing Criteria 1.0

LIGHT OUTPUT MULTIPLIER

LED Light Engine	Light Output Multiplier	RX Light Output Multiplier (90-minute run)
1000 Lumens Artist	.61*	.32*
1400 Lumens Artist	.88*	.35*
2100 Lumens Artist	1.3*	.35*
2700 Lumens Artist	1.65*	.35*
3000 Lumens Artist	1.82*	.35*
1300 Designer	.83*	.33*
1600 Designer	1*	.37*
2100 Designer	1.31*	.37*
3000 Designer	1.77*	.37*
1300 Lumens standard & Vibrant	.83*	.33*
1600 Lumens standard & Vibrant	1	.37*
2100 Lumens standard & Vibrant	1.31*	.37*
3000 Lumens standard & Vibrant	1.85*	.37*
4000 Lumens standard & Vibrant	2.42*	.35*

*estimated values

LUMINAIRE LIGHT OUTPUT AND EFFICACY

LED Light Engine	Luminaire Light Output	Luminaire Efficacy (lms/watt)	System Wattage	RX Light Output (90 min. run)
1000 Lumens Artist	783*	60*	13	411*
1400 Lumens Artist	1129*	71*	16	449*
2100 Lumens Artist	1668*	67*	25	449*
2700 Lumens Artist	2117*	60*	35	449*
3000 Lumens Artist	2335*	60*	39	449*
1300 Designer	1065*	67*	16	423*
1600 Designer	1283*	80*	16	475*
2100 Designer	1681*	80*	21	475*
3000 Designer	2271*	69*	33	475*
1300 Lumens standard & Vibrant	1065*	76*	14	423*
1600 Lumens standard & Vibrant	1283	80	16	475*
2100 Lumens standard & Vibrant	1681*	80*	21	475*
3000 Lumens standard & Vibrant	2374*	72*	33	475*
4000 Lumens standard & Vibrant	3105*	78*	40	449*

*estimated values

STANDARD DMV DRIVER INFORMATION

(UL Class 2, dry and damp location)

Voltage	120	277
Input Watts Range (W)	13 to 40	13 to 40
Input Current Range (A)	.11 to .33	.04 to .14
Output Current (mA)	400-1050	400-1050
Min. Power Factor	.99	.99
Operating Temperature Range (F)	-13 to 122	-13 to 122

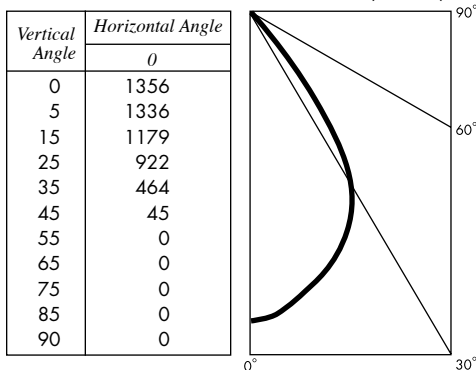
ZONAL LUMEN SUMMARY

Zone	Lumens	% Fixture
0 - 30°	871	67.4
0 - 40°	1195	92.6
0 - 60°	1283	100.0
0 - 90°	1283	100.0
90 - 180°	0	0.0
0 - 180°	1283	100.0

LUMINANCE DATA (Candela/m²)

Vertical Angle	Horizontal Angles	
	0	
45	3727	
55	0	
65	0	
75	0	
85	0	

CANDLEPOWER DISTRIBUTION (Candela)



REFLECTOR COLOR MULTIPLIERS

Slightly diffuse clear (V)	1
Champagne gold (G)	1
Specular White	.70
Black (B)	.40