

CHP WAFER/4 AA EE

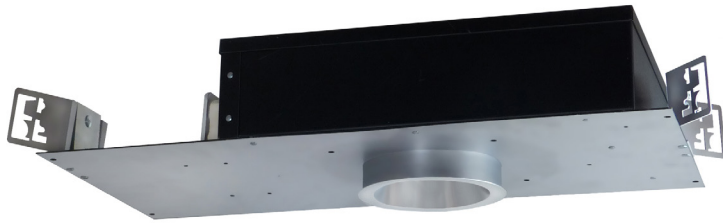
recessed shallow Chicago Plenum LED accent light



MADE IN USA

[Click here!](#)

FULLY SUSTAINABLE – FULLY SUSTAINABLE – FULLY SUSTAINABLE – FULLY SUSTAINABLE – FULLY SUSTAINABLE – FULLY SUSTAINABLE – FULLY SUSTAINABLE



FEATURES

- **CHP WAFER/4 AA EE is a 4" aperture, enhanced efficiency (EE), LED accent light** with a recess depth of only 4 5/8".
- **Luminaire** is detailed for use in a 'Chicago Plenum' ceiling.
- **Luminaire provides 365° rotation and 0°-30° angular adjustment.** Once focused, adjustment may be locked by a lever and a thumb nut.
- **Luminaire employs an internal spring-loaded lens** to produce an initial beam-spread of either 12°, 20° or 36°. To allow beamspread to be changed in installed luminaires, internal lenses are available as accessories.
- **Luminaire is powered by one of a number of Cree Chip on board LED's.** See below for wattages and efficacies.
- **External reflectors, cut at 15°, are available in three clear natural aluminum colors** – semi-specular (C), slightly diffuse (V) or fully diffuse (EC) – as well as champagne gold, black Alzak® and specular white enamel. Other finishes are available on special order.
- **CHP WAFER/4 AA EE includes a pair of mounting bars** (3/4" x 27" C channel). Specialty bars for wood and T-bar installations are also available.
- **For more information, [click here.](#)**

APPLICATIONS

Luminaire is listed as an inherently protected luminaire for Damp Location and is additionally listed for City of Chicago Environmental Air (CCEA). Luminaire is RoHS compliant, is suitable for use in a fire rated ceiling. Removal of the external reflector allows access to the LED module and junction box.

For a version of this luminaire designed to provide greater shielding of the light source, see [CHP WAFER/4 AA ES](#).

PRODUCT CODE

For complete product code, list basic unit and select one item from each following box.

Basic Unit W4CHP-CLT-AA

Internal Lens *Choose one.*

12° initial beamspread - 12D
 20° initial beamspread - 20D
 36° initial beamspread - 36D

Light Source Output (Lumens)

800 lumens / CRI 90+ 2700K & 3000K only..... - L08H
 1000 lumens 2700K & 3000K only..... - L10H
 1200 lumens 2700K & 3000K only - L12H
 1500 lumens 2700K & 3000K only - L15H
 1000 lumens / CRI 80+..... - L10S
 1200 lumens - L12S
 1500 lumens - L15S
 1800 lumens - L18S

Driver

dimmable to 1% by a 0-10V dimmer on 120 Or 277-volt service - DMV
 dimmable to 5% by either an incandescent or electronic low voltage dimmer only; 120-volt service only - DMP
 dimmable to 1% by a Lutron (2-wire) incandescent dimmer - DMILU
 dimmable to 1% by a Lutron EcoSystem control - ECO-LU
 eldoLED 0-10V (Logarithmic) driver dimmable to 0.1% with a 0-10V dimmer - DVOELG
 eldoLED 0-10V (Linear) driver dimmable to 0.1% with a 0-10V dimmer - DVOELN
 eldoLED driver dimmable to 0.1% with DALI control system - DAO-EL
 Moons' driver dimmable to 0.1% by DMX controllers - DX0-MN

Light Color

2700 K..... - 27K
 3000 K..... - 30K
 3500 K..... - 35K
 4000 K..... - 40K

External Reflector Color and Trim

	Overlap	Trim Flush*
Semi-specular Clear	EE-COL	EE-CTF
Slightly diffuse Clear	EE-VOL.....	EE-VTF
Fully diffuse Clear	EE-ECOL.....	EE-ECTF
Champagne Gold.....	EE-GOL.....	EE-GTF
Black.....	EE-BOL.....	EE-BTF
White.....	EE-WOL.....	EE-WTF

Standard reflector flange continues reflector finish. White painted flanges and custom painted flanges are available on special order. Add WF (white flange) or CCF (custom color flange).

*Trim Flush reflector trim requires the use of a **plaster ring** Accessory (see below).

OPTIONS

Specify by adding to the basic unit.

0° cut **downlight reflector** - 0

EXTRA INTERNAL LENSES

Specify as separate line items.

12° internal lens CLT-LENS12-50
 20° internal lens CLT-LENS20-50
 36° internal lens CLT-LENS36-50

ACCESSORIES

Specify as a separate line item.

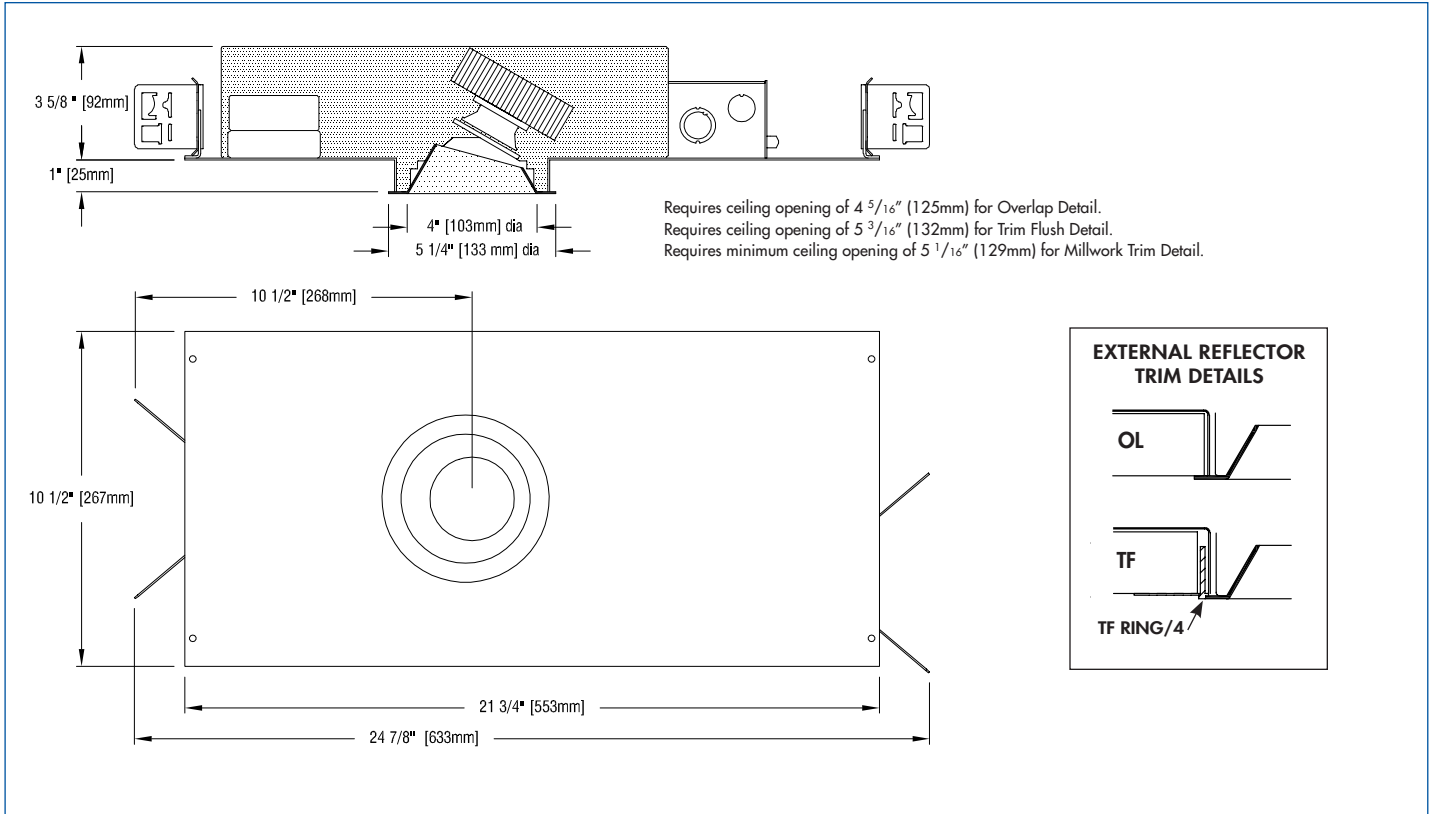
Plaster ring allows use of 4 7/8" OD Trim Flush (-TF) reflector in sheetrock ceiling; 5 3/16" dia hole required..... TF RING/4



41-50 22ND STREET, LIC NY 11101 TEL 718.685.0700 FAX 718.786.8530 www.epl.com

©Copyright, Edison Price Lighting 2018

LED 0-181-5 8:18



STANDARD DMV DRIVER INFORMATION (UL Class 2, dry and damp location)

Voltage	120	277
Input Watts <small>(L108H/L110H/L12H/L15H/L10S/L12S/L15S/L18S)</small>	9/10/13/17/9/10/13/17	9/10/13/17/9/10/13/17
Input Current (A) <small>(L108H/L110H/L12H/L15H/L10S/L12S/L15S/L18S)</small>	08/08/11/14/08/08/11/14	03/04/05/06/03/04/05/06
Output Current (mA)	350-700	350-700
Min. Power Factor	.99	.99
Operating Temperature Range (F)	-13 to 122	-13 to 122

LIGHT OUTPUT MULTIPLIER

LED Light Engine	Light Output Multiplier
800 Lumens 90 CRI	0.65*
1000 Lumens 90 CRI	0.78*
1200 Lumens 90 CRI	1
1500 Lumens 90 CRI	1.17*
1000 Lumens 80 CRI	0.81*
1200 Lumens 80 CRI	0.96*
1500 Lumens 80 CRI	1.20*
1800 Lumens 80 CRI	1.44*

*estimated values

REFLECTOR COLOR MULTIPLIERS

Slightly diffuse clear (V)	1
Fully diffuse clear (EC)	.90
Champagne gold clear (G)	1
Specular white (W)	.70
Black (B)	.40

– photometrics continued below –

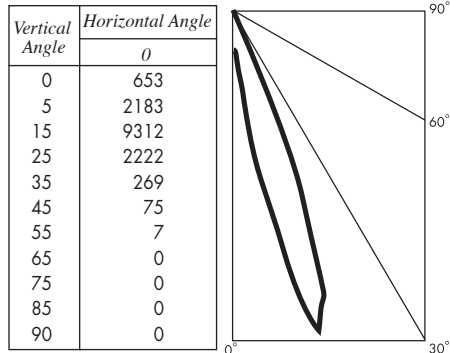


PHOTOMETRIC REPORT with 12° lens (tested per IESNA LM-79-2008)

Verification Services Report No. 11827425.01. Original test report furnished upon request.

Luminaire recessed LED round accent light with semi-specular clear aluminum external reflector, LED aimed at 15° above vertical.+
 Light Source Cree CXB1310 LED with 12° beam spread integral lens, 2700K CCT, 90 CRI, 1200 lumens

CANDLEPOWER DISTRIBUTION (Candela)



LUMINAIRE LIGHT OUTPUT AND EFFICACY

LED Light Engine	Luminaire Light Output	Luminaire CBCP	Luminaire Efficacy (lms/watt)	System Wattage	RX Light Output (90 min. run)
800 Lumens 90 CRI	520	6053*	71*	9	414*
1000 Lumens 90 CRI	624	7263*	77*	10	414*
1200 Lumens 90 CRI	800	9312	62	13	414*
1500 Lumens 90 CRI	936	10895*	68*	17	414*
1000 Lumens 80 CRI	648	7543*	89*	9	503*
1200 Lumens 80 CRI	768	8940*	95*	10	503*
1500 Lumens 80 CRI	960	11174*	91*	13	503*
1800 Lumens 80 CRI	1152	13409*	84*	17	503*

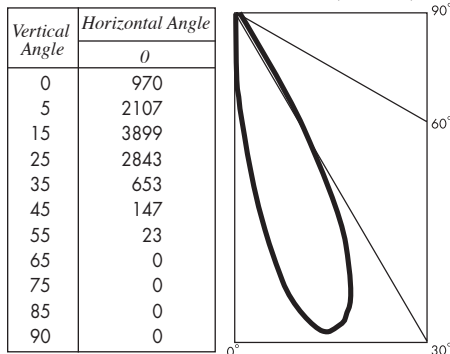
*estimated values

PHOTOMETRIC REPORT with 20° lens (tested per IESNA LM-79-2008)

Verification Services Report No. 11827425.03. Original test report furnished upon request.

Luminaire recessed LED round accent light with semi-specular clear aluminum external reflector, LED aimed at 15° above vertical.+
 Light Source Cree CXB1310 LED with 20° beam spread integral lens, 2700K CCT, 90 CRI, 1200 lumens

CANDLEPOWER DISTRIBUTION (Candela)



LUMINAIRE LIGHT OUTPUT AND EFFICACY

LED Light Engine	Luminaire Light Output	Luminaire CBCP	Luminaire Efficacy (lms/watt)	System Wattage	RX Light Output (90 min. run)
800 Lumens 90 CRI	537*	2534*	60*	9	347*
1000 Lumens 90 CRI	645*	3041*	64*	10	347*
1200 Lumens 90 CRI	827	3899	63	13	347*
1500 Lumens 90 CRI	967*	4562*	57*	17	347*
1000 Lumens 80 CRI	670*	3158*	74*	9	422*
1200 Lumens 80 CRI	794*	3743*	79*	10	422*
1500 Lumens 80 CRI	992*	4679*	76*	13	422*
1800 Lumens 80 CRI	1190*	5615*	70*	17	422*

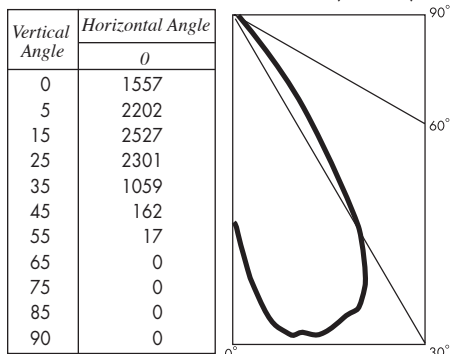
*estimated values

PHOTOMETRIC REPORT with 36° lens (tested per IESNA LM-79-2008)

Verification Services Report No. 11827425.05. Original test report furnished upon request.

Luminaire recessed LED round accent light with semi-specular clear aluminum external reflector, LED aimed at 15° above vertical.+
 Light Source Cree CXB1310 LED with 36° beam spread integral lens, 2700K CCT, 90 CRI, 1200 lumens

CANDLEPOWER DISTRIBUTION (Candela)



LUMINAIRE LIGHT OUTPUT AND EFFICACY

LED Light Engine	Luminaire Light Output	Luminaire CBCP	Luminaire Efficacy (lms/watt)	System Wattage	RX Light Output (90 min. run)
800 Lumens 90 CRI	589*	1643*	65*	9	381*
1000 Lumens 90 CRI	707*	1971*	71*	10	381*
1200 Lumens 90 CRI	906	2527	70	13	381*
1500 Lumens 90 CRI	1060*	2957*	62*	17	381*
1000 Lumens 80 CRI	734*	2047*	82*	9	462*
1200 Lumens 80 CRI	870*	2426*	87*	10	462*
1500 Lumens 80 CRI	1087*	3032*	84*	13	462*
1800 Lumens 80 CRI	1305*	3639*	77*	17	462*

*estimated values