

Project

Type



Date

Product Code

Designer

CHP WAFER/4 AA ES

recessed shallow Chicago Plenum LED accent light

FULLY SUSTAINABLE – FULLY SUSTAINABLE – FULLY SUSTAINABLE – FULLY SUSTAINABLE – FULLY SUSTAINABLE – FULLY SUSTAINABLE – FULLY SUSTAINABLE



FEATURES

- **CHP WAFER/4 AA ES is a 4" aperture, enhanced shielding (ES), LED accent light** with a recess depth of only 4 5/8".
- **Luminaire** is detailed for use in a 'Chicago Plenum' ceiling.
- **Luminaire provides 365 rotation and 0-30 angular adjustment.** Once focused, adjustment may be locked by a lever and a thumb nut.
- **Luminaire employs an internal spring-loaded lens** to produce an initial beam-spread of either 12°, 20° or 36°. To allow beamspread to be changed in installed luminaires, internal lenses are available as accessories.
- **Luminaire is powered by one of a number of Cree Chip on board LED's.** See below for wattages and efficacies.
- **External reflectors, cut at 15°, are available in three clear natural aluminum colors** – semi-specular (C), slightly diffuse (V) or fully diffuse (EC) – as well as champagne gold, black Alzak® and specular white enamel. Other finishes are available on special order.
- **CHP WAFER/4 AA ES includes a pair of mounting bars** (3/4" x 27" C channel). Specialty bars for wood and T-bar installations are also available.
- **For more information, [click here.](#)**

APPLICATIONS

Luminaire is listed as an inherently protected luminaire for Damp Location and is additionally listed for City of Chicago Environmental Air (CCEA). Luminaire is RoHS compliant, is suitable for use in a fire rated ceiling. Removal of the external reflector allows access to the LED module and junction box.

For a version of this luminaire designed to provide less shielding of the light source and greater efficiency, see **CHP WAFER/4 AA EE.**

PRODUCT CODE

For complete product code, list basic unit and select one item from each following box.

Basic Unit	W4CHP-CLTAA
Internal Lens <i>Choose one.</i>	
12° initial beamspread	- 12D
20° initial beamspread	- 20D
36° initial beamspread	- 36D
Light Source Output (Lumens)	
800 lumens / CRI 90+ 2700K & 3000K only.....	- L08H
1000 lumens	- L10H
1200 lumens	- L12H
1500 lumens	- L15H
1000 lumens / CRI 80+.....	- L10S
1200 lumens	- L12S
1500 lumens	- L15S
1800 lumens	- L18S
Driver	
dimmable to 1% by a 0-10V dimmer on 120 Or 277-volt service.....	- DMV
dimmable to 5% by either an incandescent or electronic low voltage dimmer only; 120-volt service only.....	- DMP
dimmable to 1% by a 2-wire Lutron compatible dimmer	- DMI-LU
dimmable to 1% SoftOn/FadeToBlack by a Lutron EcoSystem control.....	- ECO-LU
eldoLED 0-10V (Logarithmic) driver dimmable to 0.1% with a 0-10V dimmer	- DVOELG
eldoLED 0-10V (Linear) driver dimmable to 0.1% with a 0-10V dimmer	- DVOELN
eldoLED driver dimmable to 0.1% with DALI control system	- DA0-EL
Moons' driver dimmable to 0.1% by DMX controllers	- DX0-MN
Light Color	
2700 K.....	- 27K
3000 K.....	- 30K
3500 K.....	- 35K
4000 K.....	- 40K

External Reflector Color and Trim	Overlap	Trim Flush*
Semi-specular Clear	ES-COL.....	ES-CTF
Slightly diffuse Clear	ES-VOL.....	ES-VTF
Fully diffuse Clear	ES-ECOL.....	ES-ECTF
Champagne Gold.....	ES-GOL.....	ES-GTF
Black.....	ES-BOL.....	ES-BTF
White.....	ES-WOL.....	ES-WTF

Standard reflector flange continues reflector finish. White painted flanges and custom painted flanges are available on special order. Add WF (white flange) or CCF (custom color flange).
*Trim Flush reflector trim requires the use of a **plaster ring** Accessory (see below).

OPTIONS

Specify by adding to the basic unit.

0° cut downlight reflector	- 0
---	-----

EXTRA INTERNAL LENSES

Specify as separate line items.

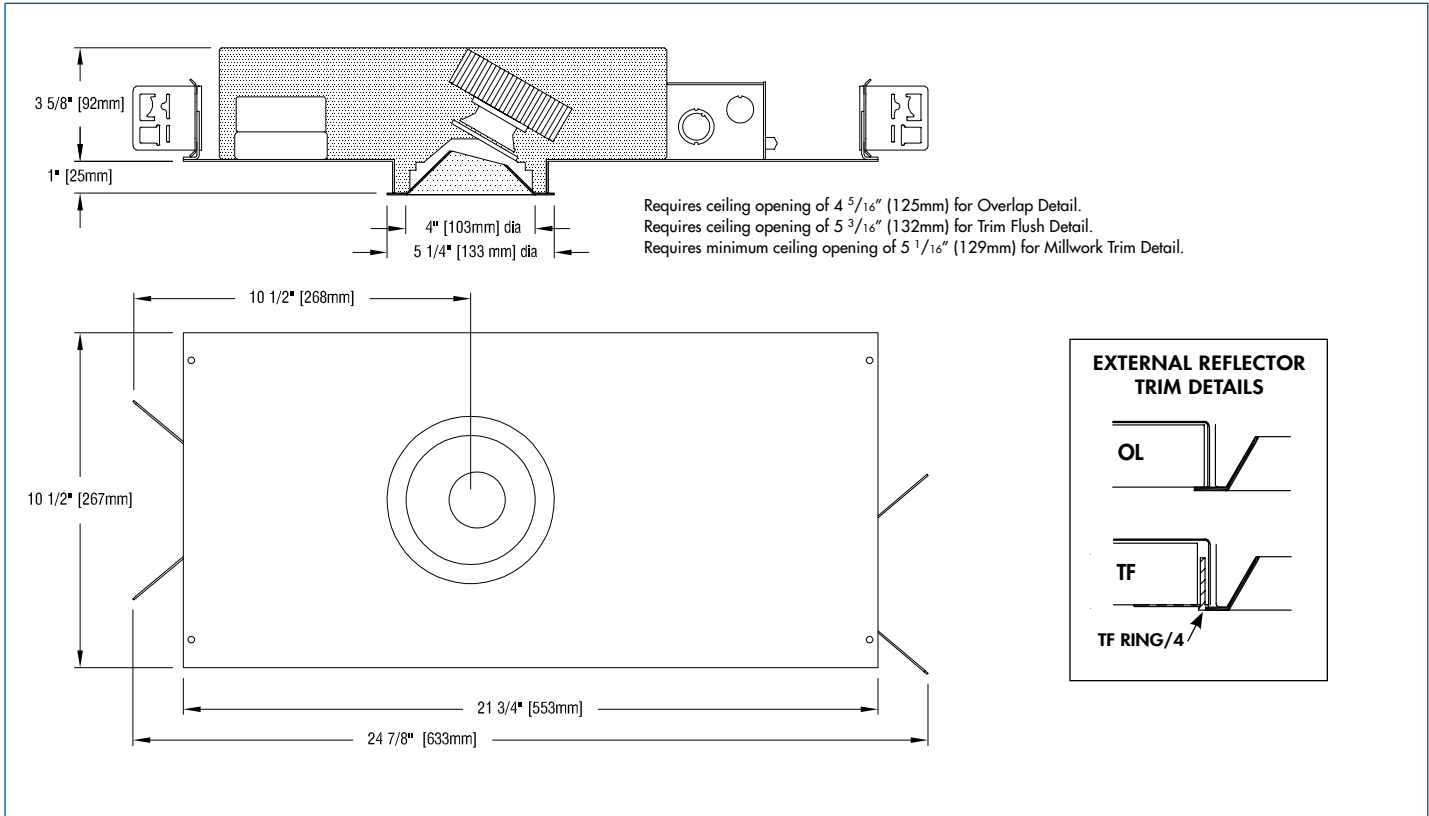
12° internal lens	CLT-LENS12-50
20° internal lens	CLT-LENS20-50
36° internal lens	CLT-LENS36-50

ACCESSORIES

Specify as a separate line item.

Plaster ring allows use of 4 7/8" OD Trim Flush (-TF) reflector in sheetrock ceiling; 5 3/16" dia hole required.....	TF RING/4
---	-----------





STANDARD DMV DRIVER INFORMATION (UL Class 2, dry and damp location)

Voltage	120	277
Input Watts <small>(L108H/L110H/L12H/L15H/L10S/L12S/L15S/L18S)</small>	9/10/13/17/9/10/13/17	9/10/13/17/9/10/13/17
Input Current (A) <small>(L108H/L110H/L12H/L15H/L10S/L12S/L15S/L18S)</small>	08/08/11/14/08/08/11/14	03/04/05/06/03/04/05/06
Output Current (mA)	350-700	350-700
Min. Power Factor	.99	.99
Operating Temperature Range (F)	-13 to 122	-13 to 122

LIGHT OUTPUT MULTIPLIER

LED Light Engine	Light Output Multiplier
800 Lumens 90 CRI	0.65*
1000 Lumens 90 CRI	0.78*
1200 Lumens 90 CRI	1
1500 Lumens 90 CRI	1.17*
1000 Lumens 80 CRI	0.81*
1200 Lumens 80 CRI	0.96*
1500 Lumens 80 CRI	1.20*
1800 Lumens 80 CRI	1.44*

*estimated values

REFLECTOR COLOR MULTIPLIERS

Slightly diffuse clear (V)	1
Fully diffuse clear (EC)	.90
Champagne gold clear (G)	1
Specular white (W)	.70
Black (B)	.40

– photometrics continued below –

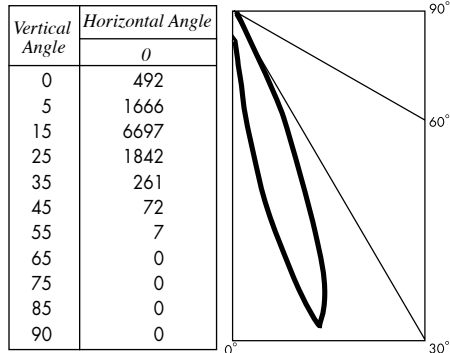


PHOTOMETRIC REPORT with 12° lens (tested per IESNA LM-79-2008)

Verification Services Report No. 11827425.02. Original test report furnished upon request.

Luminaire recessed LED round accent light with semi-specular clear aluminum external reflector, LED aimed at 15° above vertical.+
 Light Source Cree CXB1310 LED with 12° beam spread integral lens, 2700K CCT, 90 CRI, 1200 lumens

CANDLEPOWER DISTRIBUTION (Candela)



LUMINAIRE LIGHT OUTPUT AND EFFICACY

LED Light Engine	Luminaire Light Output	Luminaire CBCP	Luminaire Efficacy (lms/watt)	System Wattage	RX Light Output (90 min. run)
800 Lumens 90 CRI	413*	4353*	46*	9	267*
1000 Lumens 90 CRI	496*	5224*	50*	10	267*
1200 Lumens 90 CRI	636	6697	49	13	267*
1500 Lumens 90 CRI	744*	7835*	44*	17	267*
1000 Lumens 80 CRI	515*	5425*	57*	9	324*
1200 Lumens 80 CRI	611*	6429*	61*	10	324*
1500 Lumens 80 CRI	763*	8036*	59*	13	324*
1800 Lumens 80 CRI	916*	9644*	54*	17	324*

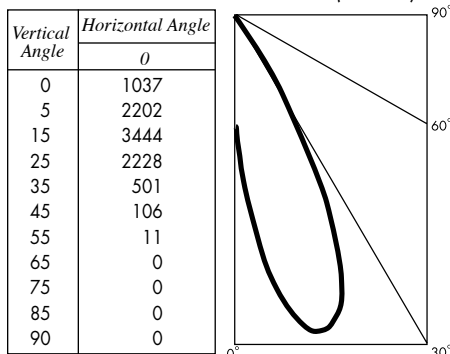
*estimated values

PHOTOMETRIC REPORT with 20° lens (tested per IESNA LM-79-2008)

Verification Services Report No. 11827425.04. Original test report furnished upon request.

Luminaire recessed LED round accent light with semi-specular clear aluminum external reflector, LED aimed at 15° above vertical.+
 Light Source Cree CXB1310 LED with 20° beam spread integral lens, 2700K CCT, 90 CRI, 1200 lumens

CANDLEPOWER DISTRIBUTION (Candela)



LUMINAIRE LIGHT OUTPUT AND EFFICACY

LED Light Engine	Luminaire Light Output	Luminaire CBCP	Luminaire Efficacy (lms/watt)	System Wattage	RX Light Output (90 min. run)
800 Lumens 90 CRI	471*	2239*	52*	9	304*
1000 Lumens 90 CRI	565*	2686*	56*	10	304*
1200 Lumens 90 CRI	724	3444	56	13	304*
1500 Lumens 90 CRI	847*	4029*	50*	17	304*
1000 Lumens 80 CRI	586*	2790*	65*	9	369*
1200 Lumens 80 CRI	695*	3306*	69*	10	369*
1500 Lumens 80 CRI	869*	4133*	67*	13	369*
1800 Lumens 80 CRI	1042*	4959*	61*	17	369*

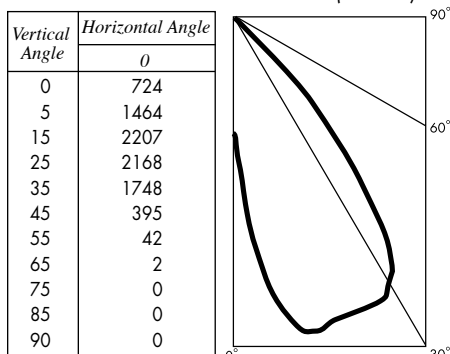
*estimated values

PHOTOMETRIC REPORT with 36° lens (tested per IESNA LM-79-2008)

Verification Services Report No. 11827425.06. Original test report furnished upon request.

Luminaire recessed LED round accent light with semi-specular clear aluminum external reflector, LED aimed at 15° above vertical.+
 Light Source Cree CXB1310 LED with 36° beam spread integral lens, 2700K CCT, 90 CRI, 1200 lumens

CANDLEPOWER DISTRIBUTION (Candela)



LUMINAIRE LIGHT OUTPUT AND EFFICACY

LED Light Engine	Luminaire Light Output	Luminaire CBCP	Luminaire Efficacy (lms/watt)	System Wattage	RX Light Output (90 min. run)
800 Lumens 90 CRI	541*	1435*	60*	9	349*
1000 Lumens 90 CRI	649*	1721*	65*	10	349*
1200 Lumens 90 CRI	832	2207	64	13	349*
1500 Lumens 90 CRI	973*	2582*	57*	17	349*
1000 Lumens 80 CRI	674*	1788*	75*	9	424*
1200 Lumens 80 CRI	798*	2119*	80*	10	424*
1500 Lumens 80 CRI	998*	2648*	77*	13	424*
1800 Lumens 80 CRI	1198*	3178*	70*	17	424*

*estimated values