

Project

Date

Product Code

WAFER/4 AA ES

recessed shallow LED accent light

FULLY SUSTAINABLE – FULLY SUSTAINABLE – FULLY SUSTAINABLE – FULLY SUSTAINABLE – FULLY SUSTAINABLE – FULLY SUSTAINABLE – FULLY SUSTAINABLE



FEATURES

- **WAFER/4 AA ES is a 4" aperture, enhanced shielding (ES), LED accent light** with a recess depth of only 4 1/2".
- **Luminaire provides 365° rotation and 0°-30° angular adjustment.** Once focused, adjustment may be locked by a lever and a thumb nut.
- **Luminaire employs an internal spring-loaded lens** to produce an initial beam-spread of either 12°, 20° or 36°. To allow beamspread to be changed in installed luminaires, internal lenses are available as accessories.
- **Luminaire is powered by one of a number of Cree Chip on board LED's.** See below for wattages and efficacies.
- **External reflectors, cut at 15°, are available in three clear natural aluminum colors** – semi-specular (C), slightly diffuse (V) or fully diffuse (EC) – as well as champagne gold, black Alzak® and specular white enamel. Other finishes are available on special order.
- **Optional housing design for residential installation** in wood joist ceilings (-RI).
- **WAFER/4 AA ES includes a pair of mounting bars** (3/4" x 27" C channel). Specialty bars for wood and T-bar installations are also available.
- **For more information, [click here](#).**

APPLICATIONS

Luminaire is listed as an inherently protected luminaire for Damp Location. Luminaire is RoHS compliant, is suitable for use in a fire rated ceiling. Removal of the external reflector allows access to the LED module and junction box.

For a version of this luminaire designed to provide less shielding of the light source and greater efficiency, see [WAFER/4 AA EE](#).

For instal-from-below, see [PRESTO WAFER/4 AA](#)

For IC-rated, see [EPIC WAFER/4 AA](#)

For Chicago Plenum, see [CHP WAFER/4 AA](#)

Type

Designer



PRODUCT CODE

For complete product code, list basic unit and select one item from each following box.

Basic Unit standard installation design W4-CLT-AA

Internal Lens Choose one.

12° initial beamspread - 12D
 20° initial beamspread - 20D
 36° initial beamspread - 36D

Light Source Output (Lumens)

800 lumens / CRI 90+ 2700K & 3000K only - L08H
 1000 lumens 2700K & 3000K only - L10H
 1200 lumens 2700K & 3000K only ZGOMAG - L12H
 1500 lumens 2700K & 3000K only ZGOMAG - L15H
 1000 lumens / CRI 80+ - L10S
 1200 lumens - L12S
 1500 lumens ZGOMAG - L15S
 1800 lumens ZGOMAG - L18S

Driver

dimmable to 1% by a 0-10V dimmer on 120 Or 277-volt service - DMV
 dimmable to 5% by either an incandescent or electronic low voltage dimmer only; 120-volt service only - DMP
 dimmable to 1% by a 2-wire Lutron compatible dimmer - DMI-LU
 dimmable to 1% SoftOn/FadeToBlack by a Lutron EcoSystem control - ECO-LU
 eldoLED 0-10V (Logarithmic) driver dimmable to 0.1% with a 0-10V dimmer - DVOELG
 eldoLED 0-10V (Linear) driver dimmable to 0.1% with a 0-10V dimmer - DVOELN
 eldoLED driver dimmable to 0.1% with DALI control system - DA0-EL
 Moons' driver dimmable to 0.1% by DMX controllers - DX0-MN
 dimmable to 0.1% by a Zigbee wireless network (Daintree, Encelium or Wink); wireless range 50' through standard walls; available with four models only (see box above) - ZGOMAG

Light Color

2700 K - 27K
 3000 K - 30K
 3500 K - 35K
 4000 K - 40K

External Reflector Color and Trim

	Overlap	Trim Flush*
Semi-specular Clear	ES-COL	ES-CTF
Slightly diffuse Clear	ES-VOL	ES-VTF
Fully diffuse Clear	ES-ECOL	ES-ECTF
Champagne Gold	ES-GOL	ES-GTF
Black	ES-BOL	ES-BTF
White	ES-WOL	ES-WTF

Standard reflector flange continues reflector finish. White painted flanges and custom painted flanges are available on special order. Add WF (white flange) or CCF (custom color flange).

*Trim Flush reflector trim requires the use of a **plaster ring** Accessory (see below).

OPTIONS

 Specify by adding to the basic unit.

0° cut **downlight reflector** - 0

Housing designed for residential installation (see next page) including a pair of mounting bars (extendable to 20") for use between wood joists. - RI

Milwork trim detail consists of an aperture collar (see below) and a Trim Flush (TF) external reflector (see above).

milled aluminum aperture collar - M
 white aperture collar - MWH
 black aperture collar - MBL
 custom color aperture collar - MCC

Remote emergency battery pack including two components – battery pack and plate with test switch and light – to be mounted adjacent to luminaire; for use in accessible ceilings; not available with residential housing (-RI) - RX

EXTRA INTERNAL LENSES

 Specify as separate line items.

12° internal lens CLT-LENS12-50

20° internal lens CLT-LENS20-50

36° internal lens CLT-LENS36-50

ACCESSORIES

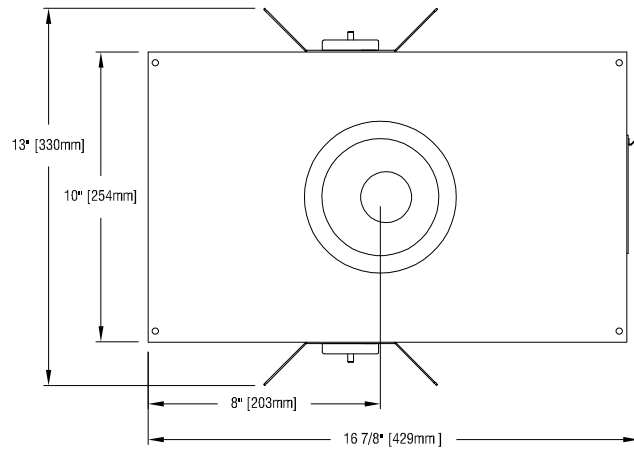
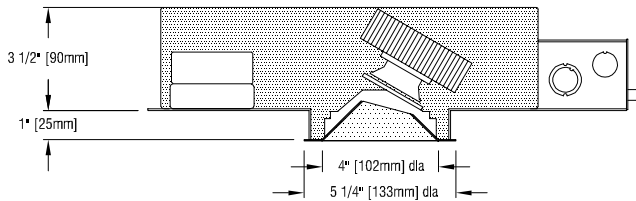
 Specify as a separate line item.

Plaster ring allows use of 4 7/8" OD Trim Flush (-TF) reflector in sheetrock ceiling; 5 3/16" dia hole required TF RING/4

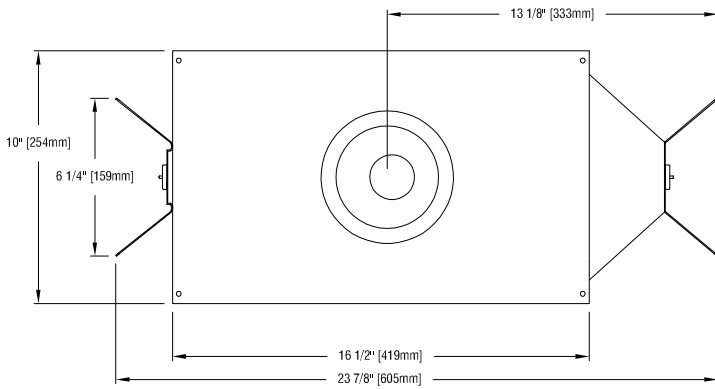
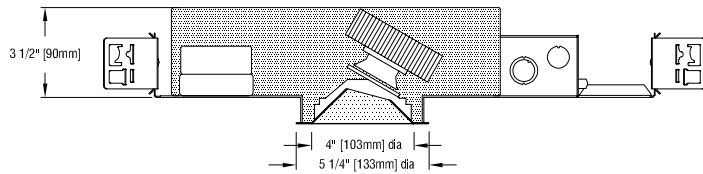


STANDARD INSTALLATION DESIGN

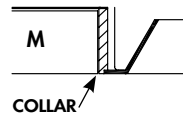
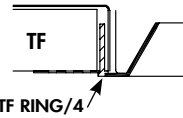
Requires ceiling opening of 4 5/16" (125mm) for Overlap Detail.
 Requires ceiling opening of 5 3/16" (132mm) for Trim Flush Detail.
 Requires minimum ceiling opening of 5 1/16" (129mm) for Millwork Trim Detail.



RESIDENTIAL INSTALLATION DESIGN (-RI)



EXTERNAL REFLECTOR TRIM DETAILS



STANDARD DMV DRIVER INFORMATION (UL Class 2, dry and damp location)

Voltage	120	277
Input Watts (L08H/L10H/L12H/L15H/L10S/L12S/L15S/L18S)	9/10/13/17/9/10/13/17	9/10/13/17/9/10/13/17
Input Current (A) (L08H/L10H/L12H/L15H/L10S/L12S/L15S/L18S)	08/08/11/14/08/08/11/14	03/04/05/06/03/04/05/06
Output Current (mA)	350-700	350-700
Min. Power Factor	.99	.99
Operating Temperature Range (F)	-13 to 122	-13 to 122

LIGHT OUTPUT MULTIPLIER

LED Light Engine	Light Output Multiplier
800 Lumens 90 CRI	0.65*
1000 Lumens 90 CRI	0.78*
1200 Lumens 90 CRI	1
1500 Lumens 90 CRI	1.17*
1000 Lumens 80 CRI	0.81*
1200 Lumens 80 CRI	0.96*
1500 Lumens 80 CRI	1.20*
1800 Lumens 80 CRI	1.44*

*estimated values

REFLECTOR COLOR MULTIPLIERS

Slightly diffuse clear (V)	1
Fully diffuse clear (EC)	.90
Champagne gold clear (G)	1
Specular white (W)	.70
Black (B)	.40

– photometrics continued below –

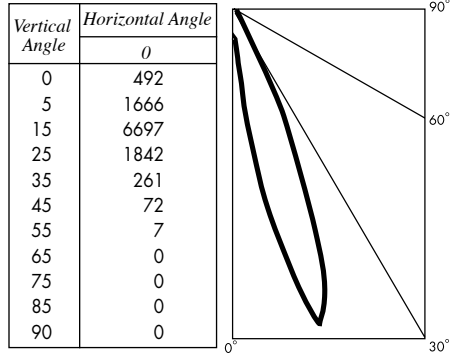


PHOTOMETRIC REPORT with 12° lens (tested per IESNA LM-79-2008)

Verification Services Report No. 11827425.02. Original test report furnished upon request.

Luminaire recessed LED round accent light with semi-specular clear aluminum external reflector, LED aimed at 15° above vertical.+
 Light Source Cree CXB1310 LED with 12° beam spread integral lens, 2700K CCT, 90 CRI, 1200 lumens

CANDLEPOWER DISTRIBUTION (Candela)



LUMINAIRE LIGHT OUTPUT AND EFFICACY

LED Light Engine	Luminaire Light Output	Luminaire CBCP	Luminaire Efficacy (lms/watt)	System Wattage	RX Light Output (90 min. run)
800 Lumens 90 CRI	413*	4353*	46*	9	267*
1000 Lumens 90 CRI	496*	5224*	50*	10	267*
1200 Lumens 90 CRI	636	6697	49	13	267*
1500 Lumens 90 CRI	744*	7835*	44*	17	267*
1000 Lumens 80 CRI	515*	5425*	57*	9	324*
1200 Lumens 80 CRI	611*	6429*	61*	10	324*
1500 Lumens 80 CRI	763*	8036*	59*	13	324*
1800 Lumens 80 CRI	916*	9644*	54*	17	324*

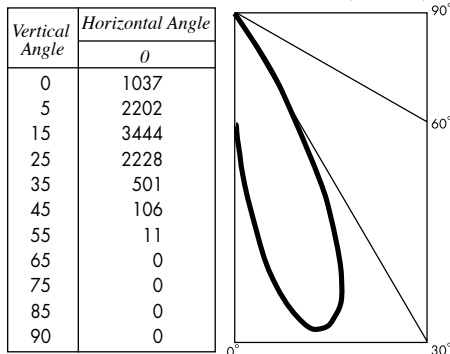
*estimated values

PHOTOMETRIC REPORT with 20° lens (tested per IESNA LM-79-2008)

Verification Services Report No. 11827425.04. Original test report furnished upon request.

Luminaire recessed LED round accent light with semi-specular clear aluminum external reflector, LED aimed at 15° above vertical.+
 Light Source Cree CXB1310 LED with 20° beam spread integral lens, 2700K CCT, 90 CRI, 1200 lumens

CANDLEPOWER DISTRIBUTION (Candela)



LUMINAIRE LIGHT OUTPUT AND EFFICACY

LED Light Engine	Luminaire Light Output	Luminaire CBCP	Luminaire Efficacy (lms/watt)	System Wattage	RX Light Output (90 min. run)
800 Lumens 90 CRI	471*	2239*	52*	9	304*
1000 Lumens 90 CRI	565*	2686*	56*	10	304*
1200 Lumens 90 CRI	724	3444	56	13	304*
1500 Lumens 90 CRI	847*	4029*	50*	17	304*
1000 Lumens 80 CRI	586*	2790*	65*	9	369*
1200 Lumens 80 CRI	695*	3306*	69*	10	369*
1500 Lumens 80 CRI	869*	4133*	67*	13	369*
1800 Lumens 80 CRI	1042*	4959*	61*	17	369*

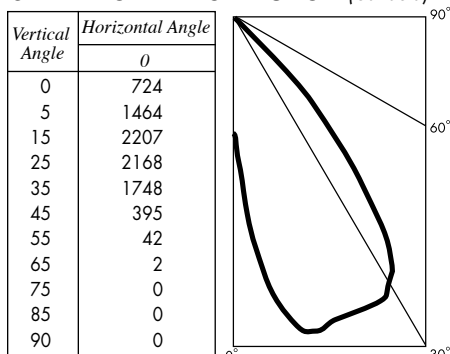
*estimated values

PHOTOMETRIC REPORT with 36° lens (tested per IESNA LM-79-2008)

Verification Services Report No. 11827425.06. Original test report furnished upon request.

Luminaire recessed LED round accent light with semi-specular clear aluminum external reflector, LED aimed at 15° above vertical.+
 Light Source Cree CXB1310 LED with 36° beam spread integral lens, 2700K CCT, 90 CRI, 1200 lumens

CANDLEPOWER DISTRIBUTION (Candela)



LUMINAIRE LIGHT OUTPUT AND EFFICACY

LED Light Engine	Luminaire Light Output	Luminaire CBCP	Luminaire Efficacy (lms/watt)	System Wattage	RX Light Output (90 min. run)
800 Lumens 90 CRI	541*	1435*	60*	9	349*
1000 Lumens 90 CRI	649*	1721*	65*	10	349*
1200 Lumens 90 CRI	832	2207	64	13	349*
1500 Lumens 90 CRI	973*	2582*	57*	17	349*
1000 Lumens 80 CRI	674*	1788*	75*	9	424*
1200 Lumens 80 CRI	798*	2119*	80*	10	424*
1500 Lumens 80 CRI	998*	2648*	77*	13	424*
1800 Lumens 80 CRI	1198*	3178*	70*	17	424*

*estimated values