

ONE WEEK WAFER/4 WL

recessed shallow LED wallwasher



MADE IN USA


[Click here!](#)



FEATURES

- WAFER/4 WL is a 4" aperture LED wallwasher 4" insert.
- The optical assembly consists of an internal reflector and a 40° x 70° glass spread lens and is capable of 365° rotation.
- Luminaire is powered by one of a number of Cree Chip on board LED's. See below for wattages and efficacies.
- WAFER/4 WL includes a pair of mounting bars (3/4" x 27" C channel). Specialty bars for wood and T-bar installations are also available.
- For more information, [click here](#).

APPLICATIONS

Luminaire is  listed as an inherently protected luminaire for Damp Location. Luminaire is RoHA compliant, is suitable for use in a fire rated ceiling. Removal of the external reflector allows access to the LED module and junction box.

ONE WEEK

For orders of 20 or fewer fixtures, housings will ship within five business days. For larger quantities, contact factory.

PRODUCT CODE

For complete product code, list basic unit and select one item from each following box.

| | |
|------------------|-----------|
| Basic Unit | W4-CLT-WL |
|------------------|-----------|

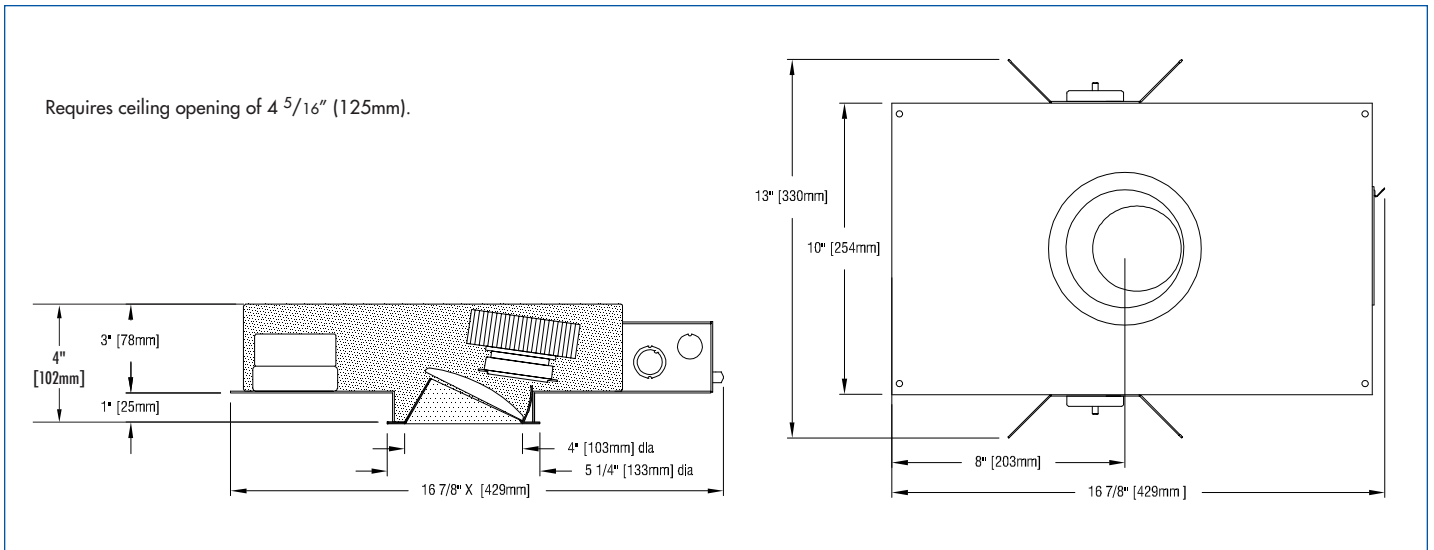
| | |
|--------------------------------|------|
| Light Source Output (Lumens) | |
| 800 lumens/CRI 90+/3000K | L08H |
| 1000 lumens | L10H |
| 1200 lumens | L12H |
| 1500 lumens | L15H |
| 1000 lumens/CRI 80+/3000K..... | L10S |
| 1200 lumens | L12S |
| 1500 lumens | L15S |
| 1800 lumens | L18S |

| | |
|---|-----|
| Driver | |
| dimmable to 1% by a 0-10V dimmer on 120 Or 277-volt service | DMV |
| dimmable to 5% by either an incandescent or electronic low voltage dimmer only; 120-volt service only | DMP |

| | |
|-------------|-------|
| Light Color | |
| 3000K | - 30K |
| 3500K | - 35K |

| | |
|-----------------------------------|-------------|
| External Reflector Color and Trim | |
| Slightly diffuse Clear | Overlap VOL |





– see below for photometric reports –



PHOTOMETRIC REPORT (tested per IESNA LM-79-2008)

UL Verification Services Report No. 11827425.11. Original test report furnished upon request.

Luminaire recessed LED lensed wallwasher with internal lens and semi-specular clear aluminum external reflector
 Light Source Cree CXB1310 LED with 60° beam spread integral lens, 2700K CCT, 90 CRI, 1200 lumens
 Lamp Life rated 50,000 hours based on L70/B50 criteria. LM80 report LED manufacturer furnished upon request

WALLWASH INFORMATION 1200 LUMENS LED

| Distance From Ceiling (Feet) | 3' From Wall; 3'O.C. | | 3' 6" From Wall; 3' 6"O.C. | |
|------------------------------|----------------------|------------------|----------------------------|------------------|
| | Below Fixture | Between Fixtures | Below Fixture | Between Fixtures |
| 1 | 23 | 14 | 15 | 9 |
| 2 | 30 | 23 | 22 | 16 |
| 3 | 28 | 23 | 22 | 17 |
| 4 | 21 | 19 | 18 | 16 |
| 5 | 15 | 14 | 14 | 13 |
| 6 | 10 | 10 | 10 | 10 |
| 7 | 7 | 7 | 7 | 7 |
| 8 | 5 | 5 | 5 | 5 |
| 9 | 4 | 4 | 4 | 4 |
| 10 | 3 | 3 | 3 | 3 |

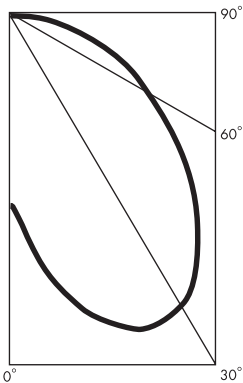
All vertical footcandles are initial values with no contribution from ceiling or floor reflectances. Computation performed with a total of ten wallwashers.

WALLWASH INFORMATION 1800 LUMENS LED

| Distance From Ceiling (Feet) | 3' From Wall; 3'O.C. | | 3' 6" From Wall; 3' 6"O.C. | |
|------------------------------|----------------------|------------------|----------------------------|------------------|
| | Below Fixture | Between Fixtures | Below Fixture | Between Fixtures |
| 1 | 32 | 22 | 22 | 13 |
| 2 | 44 | 34 | 31 | 23 |
| 3 | 40 | 35 | 31 | 25 |
| 4 | 30 | 28 | 26 | 23 |
| 5 | 21 | 21 | 20 | 19 |
| 6 | 15 | 15 | 15 | 14 |
| 7 | 11 | 11 | 11 | 11 |
| 8 | 8 | 8 | 8 | 8 |
| 9 | 6 | 6 | 6 | 6 |
| 10 | 4 | 4 | 5 | 5 |

All vertical footcandles are initial values with no contribution from ceiling or floor reflectances. Computation performed with a total of ten wallwashers.

CANDLEPOWER DISTRIBUTION (Candela)



LUMINAIRE LIGHT OUTPUT AND EFFICACY

| LED Light Engine | Luminaire Light Output | Luminaire Efficacy (lms/watt) | System Wattage |
|--------------------|------------------------|-------------------------------|----------------|
| 800 Lumens 90 CRI | 342* | 38* | 9 |
| 1000 Lumens 90 CRI | 410* | 41* | 10 |
| 1200 Lumens 90 CRI | 526 | 41 | 13 |
| 1500 Lumens 90 CRI | 615* | 36* | 17 |
| 1000 Lumens 80 CRI | 426* | 47* | 9 |
| 1200 Lumens 80 CRI | 505* | 50* | 10 |
| 1500 Lumens 80 CRI | 631* | 49* | 13 |
| 1800 Lumens 80 CRI | 757* | 45* | 17 |

*estimated values

LIGHT OUTPUT MULTIPLIER

| LED Light Engine | Light Output Multiplier |
|--------------------|-------------------------|
| 800 Lumens 90 CRI | 0.65* |
| 1000 Lumens 90 CRI | 0.78* |
| 1200 Lumens 90 CRI | 1 |
| 1500 Lumens 90 CRI | 1.17* |
| 1000 Lumens 80 CRI | 0.81* |
| 1200 Lumens 80 CRI | 0.96* |
| 1500 Lumens 80 CRI | 1.20* |
| 1800 Lumens 80 CRI | 1.44* |

*estimated values

STANDARD DMV DRIVER INFORMATION (UL Class 2, dry and damp location)

| Voltage | 120 | 277 |
|---|-------------------------|-------------------------|
| Input Watts (L08H/L10H/L12H/L15H/L10S/L12S/L15S/L18S) | 9/10/13/17/9/10/13/17 | 9/10/13/17/9/10/13/17 |
| Input Current (A) (L08H/L10H/L12H/L15H/L10S/L12S/L15S/L18S) | 08/08/11/14/08/08/11/14 | 03/04/05/06/03/04/05/06 |
| Output Current (mA) | 350-700 | 350-700 |
| Min. Power Factor | .99 | .99 |
| Operating Temperature Range (F) | -13 to 122 | -13 to 122 |