

Project

Date

Product Code

Type

Designer



# WAFER/4 WL

recessed shallow LED wallwasher

FULLY SUSTAINABLE – FULLY SUSTAINABLE – FULLY SUSTAINABLE – FULLY SUSTAINABLE – FULLY SUSTAINABLE – FULLY SUSTAINABLE – FULLY SUSTAINABLE



## FEATURES

- **WAFER/4 WL is a 4" aperture** LED wallwasher with a recess depth of only 4".
- **The optical assembly consists of an internal reflector** and a 40° x 70° glass spread lens and is capable of 365° rotation.
- **Luminaire is powered by one of a number of Cree Chip on board LED's.** See below for wattages and efficacies.
- **External reflectors are available in three clear natural aluminum colors** – semi-specular (C), slightly diffuse (V) or fully diffuse (EC) – as well as champagne gold, black Alzak® and specular white enamel. Other finishes are available on special order.
- **WAFER/4 WL includes a pair of mounting bars** (3/4" x 27" C channel). Specialty bars for wood and T-bar installations are also available.
- **Optional housing design for residential installation** in wood joist ceilings (-RI).
- **For more information, [click here](#).**

## APPLICATIONS

Luminaire is listed as an inherently protected luminaire for Damp Location. Luminaire is RoHS compliant, is suitable for use in a fire rated ceiling. Removal of the external reflector allows access to the LED module and junction box.

## PRODUCT CODE

For complete product code, list basic unit and select one item from each following box.

**Basic Unit** ..... standard installation design ..... W4-CLT-WL

### Light Source Output (Lumens)

800 lumens / CRI 90+ ..... 2700K & 3000K only .....	- L08H
1000 lumens ..... 2700K & 3000K only .....	- L10H
1200 lumens ..... 2700K & 3000K only .....	- ZGOMAG ..... - L12H
1500 lumens ..... 2700K & 3000K only .....	- ZGOMAG ..... - L15H
1000 lumens / CRI 80+ .....	- L10S
1200 lumens .....	- L12S
1500 lumens .....	- ZGOMAG ..... - L15S
1800 lumens .....	- ZGOMAG ..... - L18S

### Driver

dimmable to 1% by a 0-10V dimmer on 120 Or 277-volt service ..... - DMV  
 dimmable to 5% by either an incandescent or electronic low voltage dimmer only; 120-volt service only ..... - DMP  
 dimmable to 1% by a 2-wire Lutron compatible dimmer ..... - DMI-LU  
 dimmable to 1% SoftOn/FadeToBlack by a Lutron EcoSystem control ..... - ECO-LU  
 eldoLED 0-10V (Logarithmic) driver dimmable to 0.1% with a 0-10V dimmer ..... - DVOELG  
 eldoLED 0-10V (Linear) driver dimmable to 0.1% with a 0-10V dimmer ..... - DVOELN  
 eldoLED driver dimmable to 0.1% with DALI control system ..... - DAO-EL  
 Moons' driver dimmable to 0.1% by DMX controllers ..... - DX0-MN  
 dimmable to 0.1% by a Zigbee wireless network (Daintree, Encelium or Wink); wireless range 50' through standard walls; available with four models only (see box above) ..... - ZGOMAG

### Light Color

2700 K.....	- 27K
3000 K.....	- 30K
3500 K.....	- 35K
4000 K.....	- 40K

### External Reflector Color and Trim

	Overlap	Trim Flush*
Semi-specular Clear .....	COL .....	CTF
Slightly diffuse Clear .....	VOL .....	VTF
Fully diffuse Clear .....	ECOL .....	ECTF
Champagne Gold.....	GOL .....	GTF
Black.....	BOL .....	BTF
White.....	WOL .....	WTF

Standard reflector flange continues reflector finish. White painted flanges and custom painted flanges are available on special order. Add WF (white flange) or CCF (custom color flange).  
\*Trim Flush reflector trim requires the use of a **plaster ring** Accessory (see below).

## OPTIONS *Specify by adding to the basic unit.*

**Housing designed for residential installation** (see next page) including a pair of mounting bars (extendable to 20") for use between wood joists. .... - RI

**Milwork trim detail** consists of an aperture collar (see below) and a Trim Flush (TF) external reflector (see above).

milled aluminum aperture collar .....	- M
white aperture collar .....	- MWH
black aperture collar .....	- MBL
custom color aperture collar.....	- MCC

**Remote emergency battery pack** including two components – battery pack and plate with test switch and light – to be mounted adjacent to luminaire; for use in accessible ceilings; *not available with residential housing (-RI)*. .... - RX

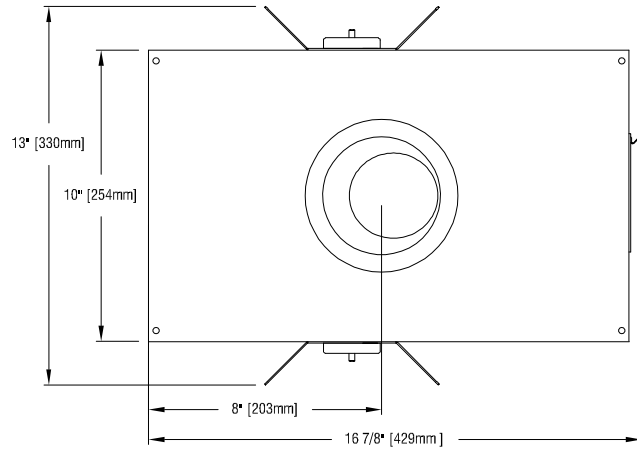
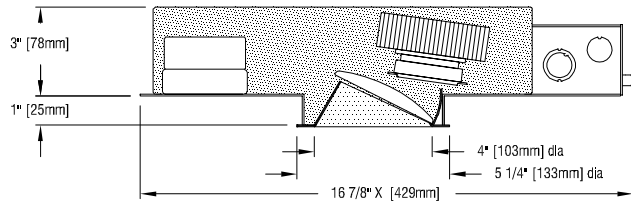
## ACCESSORIES *Specify as a separate line item.*

**Plaster ring** allows use of 4 7/8" OD Trim Flush (-TF) reflector in sheetrock ceiling; 5 3/16" dia hole required..... TF RING/4

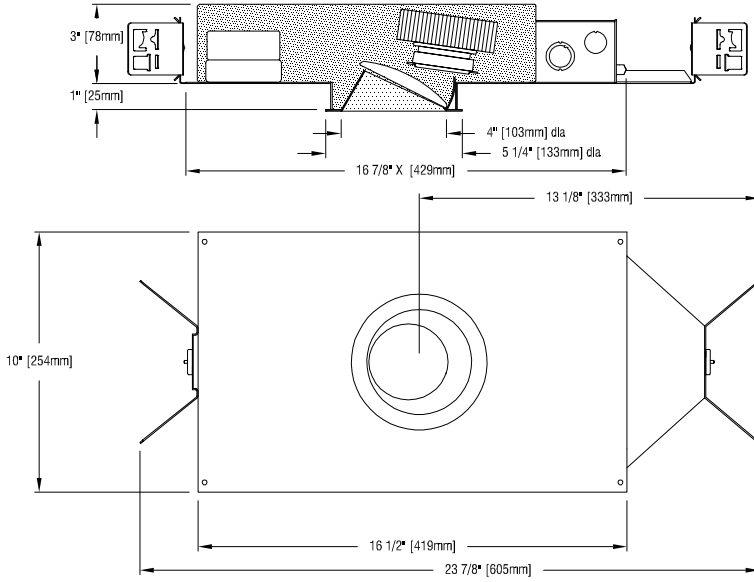


**STANDARD INSTALLATION DESIGN**

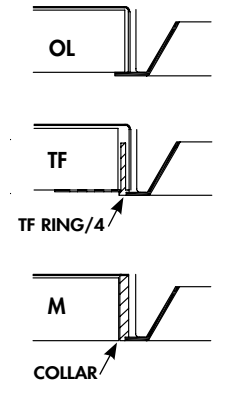
Requires ceiling opening of 4 5/16" (125mm) for Overlap Detail.  
 Requires ceiling opening of 5 3/16" (132mm) for Trim Flush Detail.  
 Requires minimum ceiling opening of 5 1/16" (129mm) for Millwork Trim Detail.



**RESIDENTIAL INSTALLATION DESIGN (-RI)**



**EXTERNAL REFLECTOR TRIM DETAILS**



– see below for photometric reports –



## PHOTOMETRIC REPORT (tested per IESNA LM-79-2008)

**UL** Verification Services Report No. 11827425.11. Original test report furnished upon request.

Luminaire ..... recessed LED lensed wallwasher with internal lens and semi-specular clear aluminum external reflector  
 Light Source ..... Cree CXB1310 LED with 60° beam spread integral lens, 2700K CCT, 90 CRI, 1200 lumens  
 Lamp Life ..... rated 50,000 hours based on L70/B50 criteria. LM80 report LED manufacturer furnished upon request

### WALLWASH INFORMATION 1200 LUMENS LED

Distance From Ceiling (Feet)	3' From Wall; 3' O.C.		3' 6" From Wall; 3' 6" O.C.	
	Below Fixture	Between Fixtures	Below Fixture	Between Fixtures
1	23	14	15	9
2	30	23	22	16
3	28	23	22	17
4	21	19	18	16
5	15	14	14	13
6	10	10	10	10
7	7	7	7	7
8	5	5	5	5
9	4	4	4	4
10	3	3	3	3

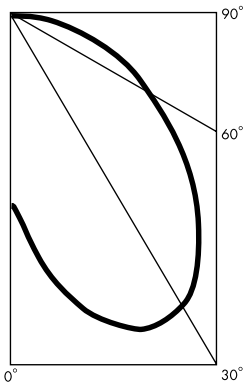
All vertical footcandles are initial values with no contribution from ceiling or floor reflectances. Computation performed with a total of ten wallwashers.

### WALLWASH INFORMATION 1800 LUMENS LED

Distance From Ceiling (Feet)	3' From Wall; 3' O.C.		3' 6" From Wall; 3' 6" O.C.	
	Below Fixture	Between Fixtures	Below Fixture	Between Fixtures
1	32	22	22	13
2	44	34	31	23
3	40	35	31	25
4	30	28	26	23
5	21	21	20	19
6	15	15	15	14
7	11	11	11	11
8	8	8	8	8
9	6	6	6	6
10	4	4	5	5

All vertical footcandles are initial values with no contribution from ceiling or floor reflectances. Computation performed with a total of ten wallwashers.

### CANDLEPOWER DISTRIBUTION (Candela)



### LUMINAIRE LIGHT OUTPUT AND EFFICACY

LED Light Engine	Luminaire Light Output	Luminaire Efficacy (lms/watt)	System Wattage	RX Light Output (90 min. run)
800 Lumens 90 CRI	342*	38*	9	221*
1000 Lumens 90 CRI	410*	41*	10	221*
1200 Lumens 90 CRI	526	41	13	221*
1500 Lumens 90 CRI	615*	36*	17	221*
1000 Lumens 80 CRI	426*	47*	9	268*
1200 Lumens 80 CRI	505*	50*	10	268*
1500 Lumens 80 CRI	631*	49*	13	268*
1800 Lumens 80 CRI	757*	45*	17	268*

\*estimated values

### LIGHT OUTPUT MULTIPLIER

LED Light Engine	Light Output Multiplier
800 Lumens 90 CRI	0.65*
1000 Lumens 90 CRI	0.78*
1200 Lumens 90 CRI	1
1500 Lumens 90 CRI	1.17*
1000 Lumens 80 CRI	0.81*
1200 Lumens 80 CRI	0.96*
1500 Lumens 80 CRI	1.20*
1800 Lumens 80 CRI	1.44*

\*estimated values

### STANDARD DMV DRIVER INFORMATION (UL Class 2, dry and damp location)

Voltage	120	277
Input Watts (L08H/L10H/L12H/L15H/L10S/L12S/L15S/L18S)	9/10/13/17/9/10/13/17	9/10/13/17/9/10/13/17
Input Current (A) (L08H/L10H/L12H/L15H/L10S/L12S/L15S/L18S)	08/08/11/14/08/08/11/14	03/04/05/06/03/04/05/06
Output Current (mA)	350-700	350-700
Min. Power Factor	.99	.99
Operating Temperature Range (F)	-13 to 122	-13 to 122

### REFLECTOR COLOR MULTIPLIERS

Slightly diffuse clear (V)	1
Fully diffuse clear (EC)	.90
Champagne gold clear (G)	1
Specular white (W)	.70
Black (B)	.40