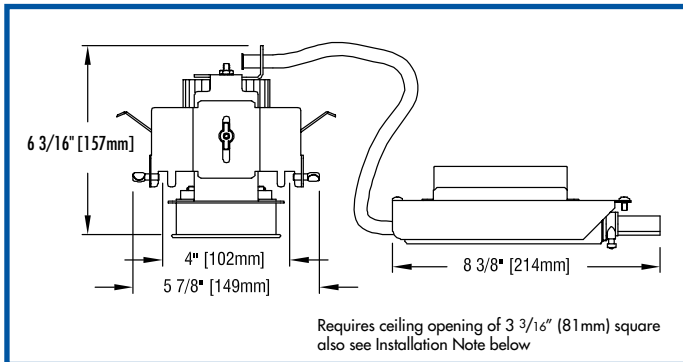


ATZ DL/4

recessed LED downlight for TechZone 4" ceiling

FULLY SUSTAINABLE – FULLY SUSTAINABLE – FULLY SUSTAINABLE – FULLY SUSTAINABLE – FULLY SUSTAINABLE – FULLY SUSTAINABLE – FULLY SUSTAINABLE




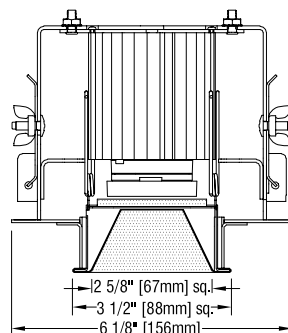
FEATURES

- **ATZ DL/4 is a 3" square LED downlight** designed specifically to install into Armstrong TechZone 4" ceiling systems. Luminaire is suitable for use in lay-in or tegular panels that are no thicker than 1".
- **Luminaire is powered by** one of a number of Xicato® 19mm XTM LED modules, distinguished by extraordinary color consistency (within 1x2-step MacAdam ellipse). See below for wattages and efficacies.
- **Precise reflector design** minimizes aperture brightness, supports integral prismatic lens and provides maximum shielding angle of 35°. Reflectors are available with one of two glass options: a clear protective glass shield; or a Solite pattern lens.
- **External reflectors are available in slightly diffuse clear natural aluminum, champagne gold Alzak® or specular white paint finishes.** Other reflector finishes are available on special order.
- **For more information, [click here.](#)**



APPLICATIONS

Luminaire is  listed for Damp Location, RoHA compliant and prewired with a thermal protector.



NOTE: optional lens shown

Installation Note

Aperture cutout in ceiling material must be a minimum of 2" (51 mm) from nearest ceiling system cross-tee.

PRODUCT CODE

For complete product code, list basic unit and select one item from each following box.

Basic UnitATZ-XTM-4SQ-DL

Light Source Output (Lumens)

700L / CRI 98 Artist	L07A
1000L / CRI 98 Artist	DMP (5%) .. L10A
1000L / CRI 80+	DMP (10%) .. L10S
1000L / CRI 80+ Vibrant	3000K only...DMP (10%) .. L10V
1300L / CRI 80+	DMP (10%) .. L13S
1300L / CRI 80+ Vibrant	3000K only...DMP (10%) .. L13V
1400L / CRI 98 Artist	DMP (5%) .. L14A
1600L / CRI 80+	DMP (5%) .. L16S
1600L / CRI 80+ Vibrant	3000K only...DMP (5%) .. L16V
1800L / CRI 98 Artist	DMP (5%) .. L18A
2100L / CRI 80+	DMP (5%) .. L21S
2100L / CRI 80+ Vibrant	3000K only...DMP (5%) .. L21V
2500L / CRI 80+	DMP (5%) .. L25S
2500L / CRI 80+ Vibrant	3000K only...DMP (5%) .. L25V

Light Color

2700 K	- 27K
3000 K	- 30K
3500 K	- 35K
4000 K	- 40K

Driver

dimmable to 1% by a 0-10V dimmer on 120 or 277-volt service	- DMV
dimmable to 5% or 10% (see Light Source Output box above) by either an incandescent or ELV dimmer; 120-volt service only	- DMP
eldoLED 0-10V (Logarithmic) driver dimmable to 0.1% with a 0-10V dimmer on 120 or 277-volt service	- DVOELG
eldoLED 0-10V (Linear) driver dimmable to 0.1% with a 0-10V dimmer on 120 or 277-volt service	- DVOELN
eldoLED driver dimmable to 0.1%, compatible with DALI control system	- DAO-EL

Voltage

120 volt.....	- 120
277 volt.....	- 277

Reflector Color

Slightly diffuse Clear	- VOL
Champagne Gold.....	- GOL
Specular White	- WOL
Standard reflector flange continues reflector finish. White painted flanges and custom painted flanges are available on special order. Add WF (white flange) or CCF (custom color flange).	

OPTIONS Specify by adding to the basic unit.

1/8" (3mm) thick protective glass shield	- GLS
1/8" (3mm) thick Solite prismatic lens	- WLS

► Remote emergency battery pack modification available on special order.

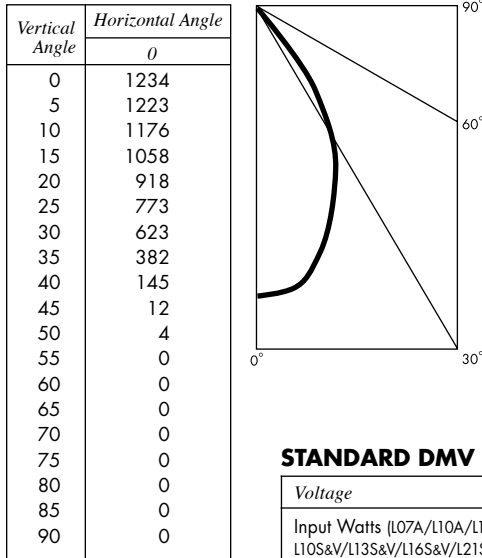


PHOTOMETRIC REPORT (tested per IESNA LM-79-2008)

Prorated from Verification Services Report No. 481596. Original report furnished upon request.

Luminaire recessed LED square downlight with aluminum reflector
 Lamp Xicato 19mm XTM LED module, 1600 lumens, 3000K CCT, 80 CRI
 Spacing Criteria 0.9

CANDLEPOWER DISTRIBUTION (Candela)



LUMINAIRE LIGHT OUTPUT AND EFFICACY

LED Light Engine	Luminaire Light Output	Luminaire Efficacy (lms/watt)	System Wattage
700 Lumens Artist	509*	41*	12
1000 Lumens Artist	668*	38*	17
1400 Lumens Artist	927*	50*	19
1800 Lumens Artist	1249*	49*	25
1000 Lumens standard & Vibrant	675*	55*	12
1300 Lumens standard & Vibrant	900*	54*	17
1600 Lumens standard & Vibrant	1086	57	19
2100 Lumens standard & Vibrant	1410*	56*	25
2500 Lumens standard & Vibrant	1682*	62*	27

*estimated values

STANDARD DMV DRIVER INFORMATION UL Class 2, dry and damp location

Voltage	120	277
Input Watts (L07A/L10A/L14A/L18A L10S&V/L13S&V/L16S&V/L21S&V/L25S&V lumens)	12/17/19/25/12/17/19/25/27	12/17/19/25/12/17/19/25/27
Input Current (A) (L07A/L10A/L14A/L18A L10S&V/L13S&V/L16S&V/L21S&V/L25S&V lumens)	.10/.14/.16/.21/10/14/16/21/.23	.04/.06/.07/09/04/06/07/09/10
Output Current (mA)	400-1050	400-1050
Min. Power Factor	.99	.99
Operating Temperature Range (F)	-13 to 122	-13 to 122

LIGHT OUTPUT MULTIPLIER

LED Light Engine	Light Output Multiplier
700 Lumens Artist	.47*
1000 Lumens Artist	.62*
1400 Lumens Artist	.85*
1800 Lumens Artist	1.15*
1000 Lumens standard & Vibrant	.62*
1300 Lumens standard & Vibrant	.83*
1600 Lumens standard & Vibrant	1
2100 Lumens standard & Vibrant	1.30*
2500 Lumens standard & Vibrant	1.55*

*estimated values

LUMINANCE DATA (Candela/m²)

Vertical Angle	Horizontal Angles
	0
45	3913
55	751
65	0
75	0
85	0

ZONAL LUMEN SUMMARY

Zone	Lumens	% Fixture
0 - 30°	752	69.3
0 - 40°	1014	93.4
0 - 60°	1086	100.0
0 - 90°	1086	100.0
90 - 180°	0	0.0
0 - 180°	1086	100.0

REFLECTOR COLOR MULTIPLIERS

Slightly diffuse clear (V)	1
Champagne gold clear (G)	1
Specular White (W)	.70
Black (B)	.40