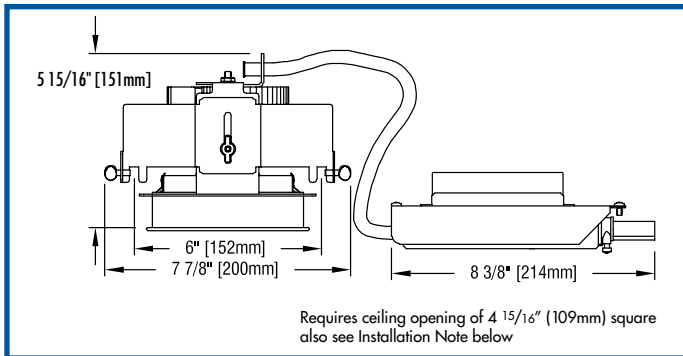


ATZ DL/6

recessed LED downlight for TechZone 6" ceiling

FULLY SUSTAINABLE – FULLY SUSTAINABLE – FULLY SUSTAINABLE – FULLY SUSTAINABLE – FULLY SUSTAINABLE – FULLY SUSTAINABLE – FULLY SUSTAINABLE



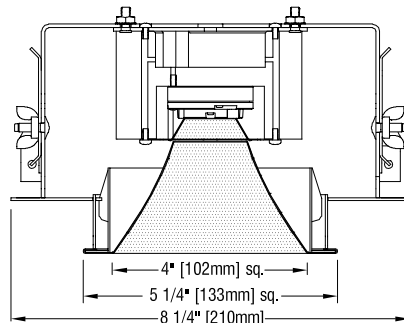
FEATURES

- **ATZ DL/6 is a 4" square LED downlight** designed specifically to install into Armstrong TechZone 6" ceiling systems and is suitable for use in lay-in or tegular panels that are no thicker than 1".
- **Luminaire is powered by** one of a number of Xicato® 19mm XTM LED modules, distinguished by extraordinary color consistency (within 1x2-step MacAdam ellipse). See below for wattages and efficacies.
- **Precise reflector design** minimizes aperture brightness and provides maximum shielding angle of 45°. Reflectors are available with one of two glass options: a clear protective glass shield; or a Solite pattern lens which matches the integral lens of an ATZ WL/6 wallwasher.
- **External reflectors are available in slightly diffuse clear natural aluminum**, champagne gold Alzak® or specular white paint finishes. Other reflector finishes are available on special order.
- **For more information, [click here](#).**



APPLICATIONS

Luminaire is  listed for Damp Location, RoHA compliant and prewired with a thermal protector.



Installation Note

Aperture cutout in ceiling material must be a minimum of 2" (51 mm) from nearest ceiling system cross-tee.

PRODUCT CODE

For complete product code, list basic unit and select one item from each following box.

Basic Unit ATZ-XTM-6SQ-DL

Light Source Output (Lumens)

700L / CRI 98 Artist	L07A
1000L / CRI 98 Artist	DMP (5%) ... L10A
1000L / CRI 80+	DMP (10%) ... L10S
1000L / CRI 80+ Vibrant	3000K only ... DMP (10%) ... L10V
1300L / CRI 80+	DMP (10%) ... L13S
1300L / CRI 80+ Vibrant	3000K only ... DMP (10%) ... L13V
1400L / CRI 98 Artist	DMP (5%) ... L14A
1600L / CRI 80+	DMP (5%) ... L16S
1600L / CRI 80+ Vibrant	3000K only ... DMP (5%) ... L16V
1800L / CRI 98 Artist	DMP (5%) ... L18A
2100L / CRI 80+	DMP (5%) ... L21S
2100L / CRI 80+ Vibrant	3000K only ... DMP (5%) ... L21V
2500L / CRI 80+	DMP (5%) ... L25S
2500L / CRI 80+ Vibrant	3000K only ... DMP (5%) ... L25V

Light Color

2700 K.....	- 27K
3000 K.....	- 30K
3500 K.....	- 35K
4000 K.....	- 40K

Driver

dimble to 1% by a 0-10V dimmer on 120 or 277-volt service	- DMV
dimble to 5% or 10% (see Light Source Output box above) by either an incandescent or ELV dimmer; 120-volt service only	- DMP
eldoLED 0-10V (Logarithmic) driver dimmable to 0.1% with a 0-10V dimmer on 120 or 277-volt service	- DV0ELG
eldoLED 0-10V (Linear) driver dimmable to 0.1% with a 0-10V dimmer on 120 or 277-volt service	- DV0ELN
eldoLED driver dimmable to 0.1%, compatible with DALI control system	- DA0-EL

Voltage

120 volt.....	- 120
277 volt.....	- 277

Reflector Color

Slightly diffuse Clear	- VOL
Champagne Gold.....	- GOL
Specular White	- WOL
Standard reflector flange continues reflector finish. White painted flanges and custom painted flanges are available on special order. Add WF (white flange) or CCF (custom color flange).	

OPTIONS Specify by adding to the basic unit.

1/8" (3mm) thick protective glass shield	- GLS
1/8" (3mm) thick Solite prismatic lens	- WLS

► Remote emergency battery pack modification available on special order.



PHOTOMETRIC REPORT (tested per IESNA LM-79-2008)

(LTL) Report No. 29796 and 29797. Original Luminaire Testing Laboratories, Inc. (LTL) test reports furnished upon request.

Luminaire recessed LED square downlight with aluminum reflector
 Lamp Xicato 19mm XTM LED module, 1600 lumens, 3000K CCT, 80 CRI
 Lamp Life rated 50,000 hours based on L70/B50 criteria. LM80 report LED manufacturer furnished upon request
 Spacing Criteria 1.0

LIGHT OUTPUT MULTIPLIER

LED Light Engine	Light Output Multiplier	RX Light Output Multiplier (90-minute run)
700 Lumens Artist	.47*	.32*
1000 Lumens Artist	.62*	.32*
1400 Lumens Artist	.85*	.35*
1800 Lumens Artist	1.15*	.35*
1000 Lumens standard & Vibrant	.62*	.33*
1300 Lumens standard & Vibrant	.83*	.33*
1600 Lumens standard & Vibrant	1	.37*
2100 Lumens standard & Vibrant	1.30*	.37*
2500 Lumens standard & Vibrant	1.55*	.35*

*estimated values

LUMINAIRE LIGHT OUTPUT AND EFFICACY

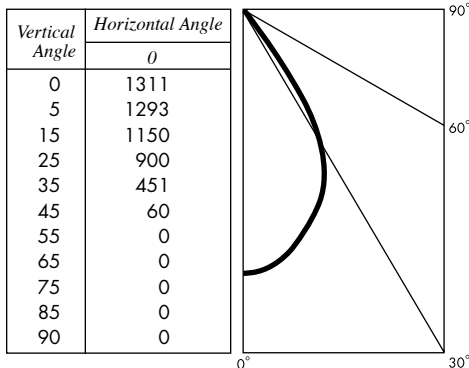
LED Light Engine	Luminaire Light Output	Luminaire Efficacy (lms/watt)	System Wattage	RX Light Output (90 min. run)
700 Lumens Artist	594*	48*	12	406*
1000 Lumens Artist	780*	45*	17	406*
1400 Lumens Artist	1083*	58*	19	444*
1800 Lumens Artist	1458*	57*	25	444*
1000 Lumens standard & Vibrant	788*	64*	12	419*
1300 Lumens standard & Vibrant	1051*	63*	17	419*
1600 Lumens standard & Vibrant	1268	67	19	469*
2100 Lumens standard & Vibrant	1646*	65*	25	469*
2500 Lumens standard & Vibrant	1964*	72*	27	444*

*estimated values

STANDARD DMV DRIVER INFORMATION *UL Class 2, dry and damp location*

Voltage	120	277
Input Watts (L07A/L10A/L14A/L18A L10S&V/L13S&V/L16S&V/L21S&V/L25S&V lumens)	12/17/19/25/12/17/19/25/27	12/17/19/25/12/17/19/25/27
Input Current (A) (L07A/L10A/L14A/L18A L10S&V/L13S&V/L16S&V/L21S&V/L25S&V lumens)	.10/.14/.16/.21/.10/.14/.16/.21/.23	.04/.06/.07/.09/.04/.06/.07/.09/.10
Output Current (mA)	400-1050	400-1050
Min. Power Factor	.99	.99
Operating Temperature Range (F)	-13 to 122	-13 to 122

CANDLEPOWER DISTRIBUTION (Candela)



ZONAL LUMEN SUMMARY

Zone	Lumens	% Fixture
0 - 30°	855	67.4
0 - 40°	1175	92.6
0 - 60°	1268	100.0
0 - 90°	1268	100.0
90 - 180°	0	0.0
0 - 180°	1268	100.0

LUMINANCE DATA (Candela/m²)

Vertical Angle	Horizontal Angles	
	0	
45	8077	
55	0	
65	0	
75	0	
85	0	

REFLECTOR COLOR MULTIPLIERS

Slightly diffuse clear (V)	1
Champagne gold clear (G)	1
Specular White (W)	.70
Black (B)	.40