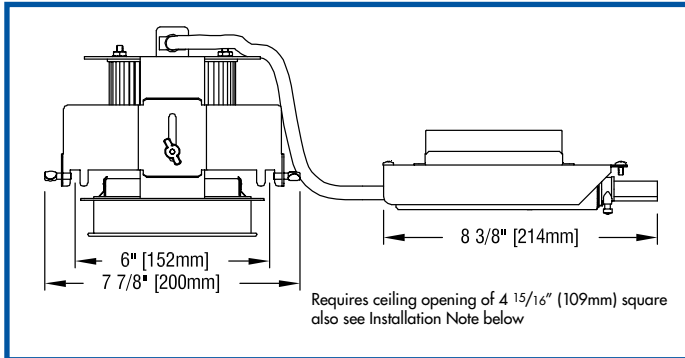


# ATZ WL/6

recessed LED wallwasher for TechZone 6" ceiling

FULLY SUSTAINABLE – FULLY SUSTAINABLE – FULLY SUSTAINABLE – FULLY SUSTAINABLE – FULLY SUSTAINABLE – FULLY SUSTAINABLE – FULLY SUSTAINABLE



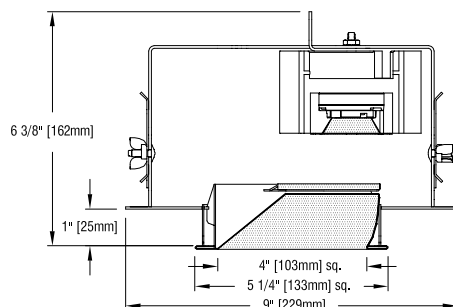
## FEATURES

- **ATZ WL/6 is a 4" square LED lensed wallwasher** designed specifically to install onto Armstrong TechZone 6" ceiling systems. Luminaire is suitable for use in lay-in or tegular panels that are no thicker than 1".
- **Luminaire is powered by** one of a number of Xicato® 19mm XTM LED modules, distinguished by extraordinary color consistency (within 1 x2-step MacAdam ellipse). See tables below for wattages and efficacies.
- **Precise reflector design provides uniform illumination** up to the ceiling line. The optical assembly consists of an internal reflector and spread lens, which minimizes aperture brightness, and virtually eliminates the inter-reflections inherent with square apertures.
- **External reflectors are available in slightly diffuse clear natural aluminum**, champagne gold Alzak® or specular white paint finishes. Other reflector finishes are available on special order.
- **For more information, [click here](#).**



## APPLICATIONS

Luminaire is  listed for Damp Location, RoHA compliant and prewired with a thermal protector.



### Installation Note

Aperture cutout in ceiling material must be a minimum of 2" (51 mm) from nearest ceiling system cross-tee.

## PRODUCT CODE

For complete product code, list basic unit and select one item from each following box.

Basic Unit ..... ATZ-XTM-6SQ-WL

### Light Source Output (Lumens)

700L / CRI 98 Artist .....	- L07A
1000L / CRI 98 Artist .....	DMP ( 5% ) ... - L10A
1000L / CRI 80+ .....	DMP (10%) ... - L10S
1000L / CRI 80+ Vibrant .....	3000K only ... DMP (10%) ... - L10V
1300L / CRI 80+ .....	DMP (10%) ... - L13S
1300L / CRI 80+ Vibrant .....	3000K only ... DMP (10%) ... - L13V
1400L / CRI 98 Artist .....	DMP ( 5% ) ... - L14A
1600L / CRI 80+ .....	DMP ( 5% ) ... - L16S
1600L / CRI 80+ Vibrant .....	3000K only ... DMP ( 5% ) ... - L16V
1800L / CRI 98 Artist .....	DMP ( 5% ) ... - L18A
2100L / CRI 80+ .....	DMP ( 5% ) ... - L21S
2100L / CRI 80+ Vibrant .....	3000K only ... DMP ( 5% ) ... - L21V
2500L / CRI 80+ .....	DMP ( 5% ) ... - L25S
2500L / CRI 80+ Vibrant .....	3000K only ... DMP ( 5% ) ... - L25V

### Light Color

2700 K .....	- 27K
3000 K .....	- 30K
3500 K .....	- 35K
4000 K .....	- 40K

### Driver

dimble to 1% by a 0-10V dimmer on 120 or 277-volt service .....	- DMV
dimble to 5% or 10% (see Light Source Output box above) by either an incandescent or ELV dimmer; 120-volt service only .....	- DMP
eldoLED 0-10V (Logarithmic) driver dimmable to 0.1% with a 0-10V dimmer on 120 or 277-volt service .....	- DV0ELG
eldoLED 0-10V (Linear) driver dimmable to 0.1% with a 0-10V dimmer on 120 or 277-volt service .....	- DV0ELN
eldoLED driver dimmable to 0.1%, compatible with DALI control system .....	- DA0-EL

### Voltage

120 volt .....	- 120
277 volt .....	- 277

### Reflector Color

Slightly diffuse Clear .....	- VOL
Champagne Gold .....	- GOL
Specular White .....	- WOL
Standard reflector flange continues reflector finish. White painted flanges and custom painted flanges are available on special order. Add WF (white flange) or CCF (custom color flange).	

► Remote emergency battery pack modification available on special order.



## PHOTOMETRIC REPORT (tested per IESNA LM-79-2008)

**LTL** Report No. 29799

Original Luminaire Testing Laboratories, Inc. (LTL) test reports furnished upon request.

Luminaire ..... recessed LED square lensed wallwasher with aluminum reflector

Lamp ..... Xicato 19mm XTM LED module, 1600 lumens, 3000K CCT, 80 CRI

Lamp Life ..... rated 50,000 hours based on L70/B50 criteria. LM80 report LED manufacturer furnished upon request

### WALLWASH INFORMATION 1000 LUMENS LED MODULE

Distance From Ceiling (Feet)	2' 6" From Wall; 2' 6" O.C.		3' From Wall; 2' 6" O.C.	
	Below Fixture	Between Fixtures	Below Fixture	Between Fixtures
1	8	6	5	5
2	16	15	9	10
3	17	17	14	15
4	14	14	14	14
5	10	10	10	10
6	8	8	8	8
7	7	7	7	7
8	5	5	6	6
9			5	5

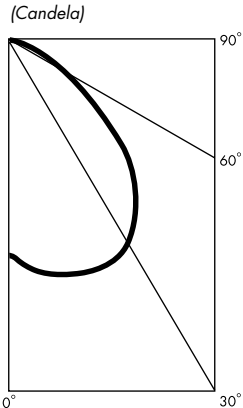
All vertical footcandles are initial values with no contribution from ceiling or floor reflectances. Computation performed with a total of ten wallwashers.

### WALLWASH INFORMATION 2100 LUMENS LED MODULE

Distance From Ceiling (Feet)	3' From Wall; 2' 6" O.C.		3' From Wall; 3' O.C.	
	Below Fixture	Between Fixtures	Below Fixture	Between Fixtures
1	9	8	8	6
2	19	20	18	16
3	27	29	23	23
4	26	27	21	22
5	21	21	18	18
6	17	17	14	14
7	13	13	11	11
8	10	11	9	9
9	9	9	7	8
10			6	6

All vertical footcandles are initial values with no contribution from ceiling or floor reflectances. Computation performed with a total of ten wallwashers.

### CANDLEPOWER DISTRIBUTION



### STANDARD DMV DRIVER INFORMATION UL Class 2, dry and damp location

Voltage	120	277
Input Watts (L07A/L10A/L14A/L18A L10S&V/L13S&V/L16S&V/L21S&V/L25S&V lumens)	12/17/19/25/12/17/19/25/27	12/17/19/25/12/17/19/25/27
Input Current (A) (L07A/L10A/L14A/L18A L10S&V/L13S&V/L16S&V/L21S&V/L25S&V lumens)	.10/.14/.16/.21/.10/.14/.16/.21/.23	.04/.06/.07/.09/.04/.06/.07/.09/.10
Output Current (mA)	400-1050	400-1050
Min. Power Factor	.99	.99
Operating Temperature Range (F)	-13 to 122	-13 to 122

### REFLECTOR COLOR MULTIPLIERS

Slightly diffuse clear (V)	1
Champagne gold clear (G)	1
Specular White (W)	.70
Black (B)	.40

### LIGHT OUTPUT MULTIPLIER

LED Light Engine	Light Output Multiplier	RX Light Output Multiplier (90-minute run)
700 Lumens Artist	.47*	.32*
1000 Lumens Artist	.62*	.32*
1400 Lumens Artist	.85*	.35*
1800 Lumens Artist	1.15*	.35*
1000 Lumens standard & Vibrant	.62*	.33*
1300 Lumens standard & Vibrant	.83*	.33*
1600 Lumens standard & Vibrant	1	.37*
2100 Lumens standard & Vibrant	1.30*	.37*
2500 Lumens standard & Vibrant	1.55*	.35*

\*estimated values

### LUMINAIRE LIGHT OUTPUT AND EFFICACY

LED Light Engine	Luminaire Light Output	Luminaire Efficacy (lms/watt)	System Wattage	RX Light Output (90 min. run)
700 Lumens Artist	279*	23*	12	184*
1000 Lumens Artist	366*	21*	17	184*
1400 Lumens Artist	508*	27*	19	201*
1800 Lumens Artist	685*	27*	25	201*
1000 Lumens standard & Vibrant	357*	29*	12	190*
1300 Lumens standard & Vibrant	493*	29*	17	190*
1600 Lumens standard & Vibrant	596	31	19	213*
2100 Lumens standard & Vibrant	773*	31*	25	213*
2500 Lumens standard & Vibrant	922*	34*	27	201*

\*estimated values