

Project

Type



Date

Product Code

Designer

ARTIMA[®]/2 W-OBM

surface mounted LED wallwasher



- The optical assembly consists of a hammer tone aluminum reflector and a 40° x 70° spread lens.
- Luminaire provides 385° horizontal rotation and vertical adjustment from 0° to 90°. Horizontal adjustment can be locked by tightening the upper collar clamp using a 1/8" hex key; vertical adjustment can be locked by tightening the lower collar clamp using a 3/32" hex key.
- For more information, [click here](#).

Artima/2 W-OBM is a wallwasher designed for mounting on a 4" octagonal outlet box (by others). Luminaire is powered by one of a number of Cree chip-on-board LED's. See tables below for wattages and efficacies.

PRODUCT CODE

For complete product code, list basic unit and select one item from each following box.

| | |
|---|---|
| Basic Unit | A2-CLT-OB-W |
| Light Source Output (Lumens) | |
| 900L / CRI 98 | 2700K & 3000K only..... - L09A |
| 1200L | 2700K & 3000K only |
| 1500L | 2700K & 3000K only..... |
| 1200L / CRI 80+ | - L12S |
| 1500L | - L15S |
| 2000L | - L20S |
| Light Color | |
| 2700K | - 27K |
| 3000K | - 30K |
| 3500K | not available with all Light Outputs (see above)..... - 35K |
| 4000K | not available with all Light Outputs (see above)..... - 40K |
| 5000K | not available with all Light Outputs (see above)..... - 50K |
| Finish | |
| white: white paint, white lead cord, matte aluminum heat sink | - WH |
| black: black paint, black lead cord, black heat sink | - BL |
| Industrial Silver: silver paint, black lead cord, black heat sink | - SI |
| custom color: include physical chip with order and select one from below | |
| • white lead cord, matte aluminum heat sink..... | - CCW |
| • black lead cord, black heat sink | - CCB |
| • any other combination requires a special order | |
| Driver (DVP): Fixture includes a driver which is | |
| • dimmable to 5% with a an incandescent or electronic low voltage (ELV) dimming on 120-volt service – and – | |
| • dimmable to 1% with a 0-10V dimmer on 120-volt or 277-volt | |



41-50 22ND STREET, LIC NY 11101

718.685.0700

www.epl.com

©Copyright, Edison Price Lighting 2019

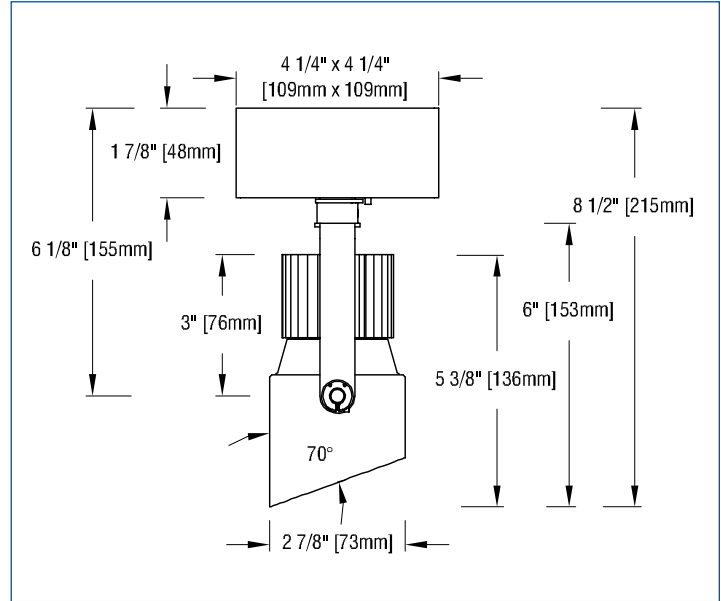
Artima is a registered trademark of Edison Price Lighting.

LED 0-191 6-19

APPLICATIONS

Luminaire is suitable for highlighting vertical surfaces in museums, galleries, showrooms, residences, offices and stores.

Luminaire is listed for Damp Location mounting on a standard 4" octagonal outlet box (by others).



PHOTOMETRIC REPORT (tested per IESNA LM-79-2008)

Leading Testing Laboratories Report No. UT18050006-010a. Original test report furnished upon request.

Luminaire surface-mounted LED wallwasher with internal reflector and lens and a specular hammer tone kicker reflector.

Lamp Cree LED 2000 lumens, 3000K CCT.

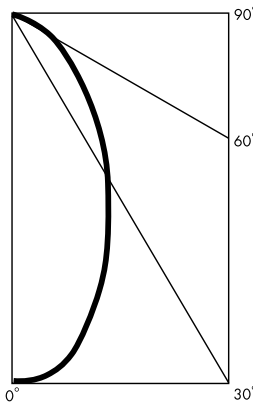
Lamp Life rated 50,000 hours based on L70/B50 criteria. LM80 report by LED manufacturer furnished upon request.

WALLWASH INFORMATION

| Distance From Ceiling (Feet) | 3' From Wall; 3' O.C. (2100 lumens) | | 3' 6" From Wall; 3' 6" O.C. (2100 lumens) | |
|------------------------------|-------------------------------------|------------------|---|------------------|
| | Below Fixture | Between Fixtures | Below Fixture | Between Fixtures |
| 1 | 19 | 17 | 13 | 11 |
| 2 | 34 | 30 | 23 | 20 |
| 3 | 41 | 38 | 29 | 27 |
| 4 | 37 | 36 | 29 | 28 |
| 5 | 31 | 29 | 25 | 25 |
| 6 | 24 | 23 | 21 | 21 |
| 7 | 18 | 18 | 17 | 17 |
| 8 | 14 | 14 | 14 | 13 |
| 9 | 11 | 11 | 11 | 11 |
| 10 | 9 | 9 | 9 | 9 |
| 11 | 7 | 7 | 7 | 8 |
| 12 | 6 | 6 | 6 | 6 |

This table lists initial illuminance values at the center of a row of at least 5 fixtures with no contribution from ceiling or floor reflectance. Fixtures were modeled with maximum candlepower at 20° to 25° above vertical.

CANDLEPOWER DISTRIBUTION



LIGHT OUTPUT MULTIPLIER

(Based on 2000 lumens 80 CRI option)

| LED Module Type | Light Output Multiplier |
|---------------------------|-------------------------|
| 1200 Lumens 80 CRI (L12S) | 0.58* |
| 1500 Lumens 80 CRI (L15S) | 0.76* |
| 2000 Lumens 80 CRI (L20S) | 1 |
| 900 Lumens 98 CRI (L09A) | 0.44* |
| 1200 Lumens 98 CRI (L12A) | 0.58* |
| 1500 Lumens 98 CRI (L15A) | 0.76* |

*estimated values

LUMINAIRE LIGHT OUTPUT AND EFFICACY

| LED Module Type | Luminaire Light Output | Luminaire Efficacy (lms/watt) | System Wattage |
|---------------------------|------------------------|-------------------------------|----------------|
| 1200 Lumens 80 CRI (L12S) | 607* | 61* | 10 |
| 1500 Lumens 80 CRI (L15S) | 795* | 57* | 14 |
| 2000 Lumens 80 CRI (L20S) | 1046 | 52 | 20 |
| 900 Lumens 98 CRI (L09A) | 460* | 46* | 10 |
| 1200 Lumens 98 CRI (L12A) | 607* | 43* | 14 |
| 1500 Lumens 98 CRI (L15A) | 795* | 40* | 20 |

*estimated values

STANDARD DRIVER INFORMATION (UL Class 2, dry and damp location)

| Voltage | 120 | 277 |
|--|--------------------|--------------------|
| Input Watts (L12S/L15S/L20S/L09A/L12A/L15A) | 10/14/20/10/14/20 | 10/14/20/10/14/20 |
| Input Current(A) (L12S/L15S/L20S/L09A/L12A/L15A) | .08/12/17/08/12/17 | .04/05/07/04/05/07 |
| Output Current (mA) | 350-700 | 350-700 |
| Min. Power Factor | 0.90 | 0.90 |
| Operating Temperature Range (F) | -4 to 122 | -4 to 122 |