



ARTIMA[®]/2 W-OBM BLUETOOTH

surface mounted wireless LED wallwasher



Artima/2 W-OBM Bluetooth is a wallwasher designed for mounting on a 4" octagonal outlet box (by others). Luminaire is powered by a Cree chip-on-board LED and equipped with a Xicato intelligent driver (XID). See tables below for wattages and efficacies.

PRODUCT CODE

For complete product code, list basic unit and select one item from each following box.

Basic Unit A2-CLT-XID-OB-W

Light Source Output (Lumens)

1200L / CRI 98not available with 5000K - L12A
 1500Lnot available with 5000K - L15A
 1500L / CRI 80+ - L15S
 2000L - L20S

Light Color

2700K - 27K
 3000K - 30K
 3500K - 35K
 4000K - 40K
 5000K not available with all Light Outputs (see above)..... - 50K

Finish

white: white paint, white lead cord, matte aluminum heat sink- WH
 black: black paint, black lead cord, black heat sink - BL
 Industrial Silver: silver paint, black lead cord, black heat sink - SI
 custom color: include physical chip with order and select one from below
 • white lead cord, matte aluminum heat sink - CCW
 • black lead cord, black heat sink - CCB
 • any other combination requires a special order

Circuit Limitations

Luminaire operates only on circuits with
 • no dimmer on the circuit – or –
 • a 0-10V dimmer on the circuit.

USB Key

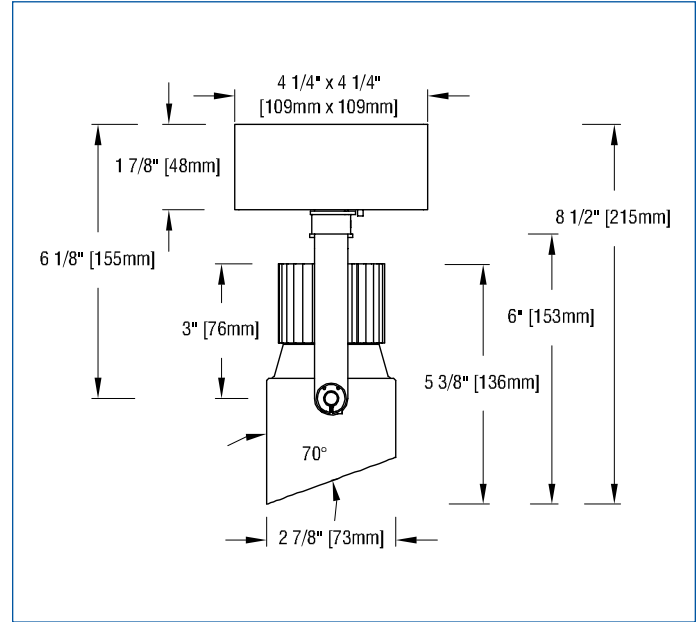
To address this fixture from a Windows-based PC, laptop or tablet, a USB key (dongle) is required. Contact factory for USB key.

- Luminaire is equipped with a Xicato Bluetooth Low Energy Intelligent Driver, controllable via a smart device with iOS or Windows based apps. Features include
 - standard Bluetooth Wireless connectivity
 - addressable individually
 - on/off control
 - dimming to 0.1%
 - data collection and storage for operating history
 - direct listening to switches and sensors
 - embedded Eddystone, iBeacon and/or AltBeacon beacons
- The optical assembly consists of a hammer tone aluminum reflector and a 40° x 70° spread lens.
- Luminaire provides 385° horizontal rotation and vertical adjustment from 0° to 90°. Horizontal adjustment can be locked by tightening the upper collar clamp using a 1/8" hex key; vertical adjustment can be locked by tightening the lower collar clamp using a 3/32" hex key.
- For more information, [click here](#).

APPLICATIONS

Luminaire is suitable for highlighting vertical surfaces in museums, galleries, showrooms, residences, offices and stores.

Luminaire is listed for Damp Location mounting on a standard 4" octagonal outlet box (by others).



PHOTOMETRIC REPORT (tested per IESNA LM-79-2008)

Leading Testing Laboratories Report No. UT18050006-010a. Original test report furnished upon request.

Luminaire surface-mounted LED wallwasher with internal reflector and lens and a specular hammer tone kicker reflector.

Lamp Cree LED 2000 lumens, 3000K CCT.

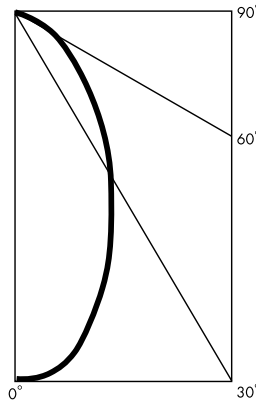
Lamp Life rated 50,000 hours based on L70/B50 criteria. LM80 report by LED manufacturer furnished upon request.

WALLWASH INFORMATION

Distance From Ceiling (Feet)	3' From Wall; 3' O.C. (2100 lumens)		3' 6" From Wall; 3' 6" O.C. (2100 lumens)	
	Below Fixture	Between Fixtures	Below Fixture	Between Fixtures
1	19	17	13	11
2	34	30	23	20
3	41	38	29	27
4	37	36	29	28
5	31	29	25	25
6	24	23	21	21
7	18	18	17	17
8	14	14	14	13
9	11	11	11	11
10	9	9	9	9
11	7	7	7	8
12	6	6	6	6

This table lists initial illuminance values at the center of a row of at least 5 fixtures with no contribution from ceiling or floor reflectance. Fixtures were modeled with maximum candlepower at 20° to 25° above vertical.

CANDLEPOWER DISTRIBUTION



LIGHT OUTPUT MULTIPLIER

(Based on 2000 lumens 80 CRI option)

LED Module Type	Light Output Multiplier
1500 Lumens 80 CRI (L15S)	0.76*
2000 Lumens 80 CRI (L20S)	1
1200 Lumens 98 CRI (L12A)	0.58*
1500 Lumens 98 CRI (L15A)	0.76*

*estimated values

LUMINAIRE LIGHT OUTPUT AND EFFICACY

LED Module Type	Luminaire Light Output	Luminaire Efficacy (lms/watt)	System Wattage
1500 Lumens 80 CRI (L15S)	795*	57*	14
2000 Lumens 80 CRI (L20S)	1046	52	20
1200 Lumens 98 CRI (L12A)	607*	43*	14
1500 Lumens 98 CRI (L15A)	795*	40*	20

*estimated values

STANDARD DRIVER INFORMATION (UL Class 2, dry and damp location)

Voltage	120	277
Input Watts (L15S/L20S/L12A/L15A)	14/20/14/20	14/20/14/20
Input Current (A) (L15S/L20S/L12A/L15A)	12/.17/12/.17	.05/.07/05/07
Output Current (mA)	500-700	500-700
Min. Power Factor	0.90	0.90
Operating Temperature Range (F)	-4 to 122	-4 to 122