

Project

Type



Date

Product Code

Designer

# MAGIC WAND® CLT W-OBM BLUETOOTH

surface mounted wireless LED wallwasher



- **Luminaire is equipped with a Xicato Bluetooth Low Energy Intelligent Driver**, controllable via a smart device with iOS or Windows based apps. Features include
  - standard Bluetooth Wireless connectivity
  - addressable individually
  - on/off control
  - dimming to 0.1%
  - data collection and storage for operating history
  - direct listening to switches and sensors
  - embedded Eddystone, iBeacon and/or AltBeacon beacons
- **Luminaire may be configured to mount to any of eighteen 20-amp, 120-volt track systems** – or – to any of six 277-volt track systems.
- **Optical assembly consists of an aluminum reflector and a 40° x 70° spread lens.**
- **Concealed swivels** provide 350° of horizontal rotation and vertical adjustment from 0° to 90°. The swivels are permanently tensioned, allowing the fixture to remain fixed at any aiming angle.
- **For more information, [click here.](#)**

Magic Wand CLT W-OBM Bluetooth is a wallwasher designed for mounting on a 4" octagonal outlet box (by others). Fixture is powered by a Cree chip-on-board LED and is equipped with a Xicato intelligent driver (XID). See tables below for wattages and efficacies.

## PRODUCT CODE

For complete product code, list basic unit and select one item from each following box.

<b>Basic Unit</b> .....	MW-CLT-XID-OB-W
<b>Light Source Output (Lumens)</b>	
1200L / CRI 98 .....	2700K & 3000K only ..... - L12A
1500L / CRI 80+ .....	..... - L15S
<b>Light Color</b>	
2700K .....	- 27K
3000K .....	- 30K
3500K .....	not available with all Light Outputs (see above)..... - 35K
4000K .....	not available with all Light Outputs (see above)..... - 40K
5000K .....	not available with all Light Outputs (see above)..... - 50K
<b>Finish</b>	
white: white paint, white lead cord, matte aluminum heat sink .....	- WH
black: black paint, black lead cord, black heat sink .....	- BL
Industrial Silver: silver paint, black lead cord, black heat sink .....	- SI
custom color: include physical chip with order and select one from below	
• white lead cord, matte aluminum heat sink .....	- CCW
• black lead cord, black heat sink .....	- CCB
• any other combination requires a special order	
<b>Circuit Limitations</b>	
Luminaire operates only on circuits with <u>no</u> dimmer on the circuit	
<b>USB Key</b>	
To address this fixture from a Windows-based PC, laptop or tablet, a USB key (dongle) is required. Contact factory for USB key.	



41-50 22<sup>ND</sup> STREET, LIC NY 11101

718.685.0700

www.epl.com

©Copyright, Edison Price Lighting 2019

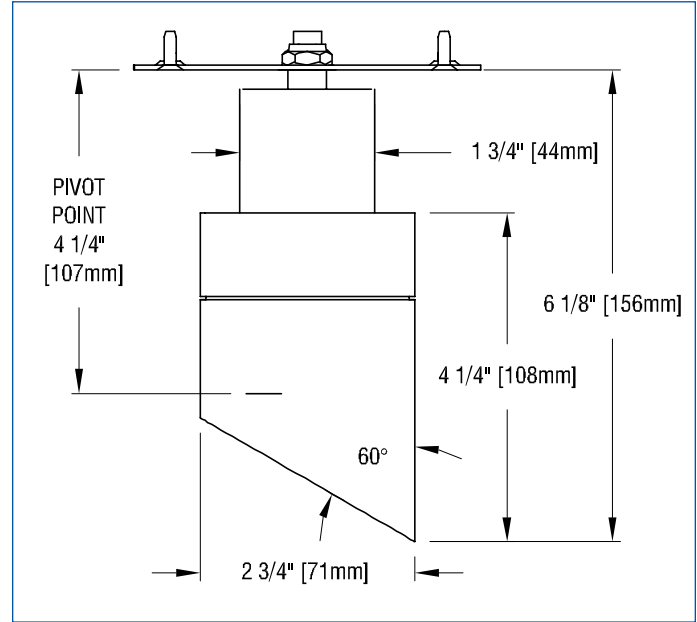
Artima is a registered trademark of Edison Price Lighting.

LED 0-199 6:19

## APPLICATIONS

Luminaire is suitable for highlighting vertical surfaces in museums, galleries, showrooms, residences, offices and stores.

Luminaire is listed for Damp Location mounting on a standard 4" octagonal outlet box (by others).



## PHOTOMETRIC REPORT (tested per IESNA LM-79-2008)

Verification Services Report No. 12556986.07. Original test report furnished upon request.

Luminaire ..... surface-mounted LED wallwasher with internal reflector and lens and a specular kicker reflector.

Lamp ..... CREE LED 1500 lumens, 3000K CCT, 80 CRI.

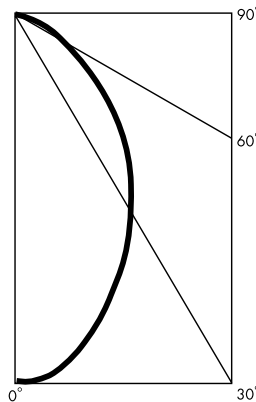
Lamp Life ..... rated 50,000 hours based on L70/B50 criteria. LM80 report by LED manufacturer furnished upon request.

## WALLWASH INFORMATION

Distance From Ceiling (Feet)	3' From Wall; 3' O.C. (1500 lumens)		3' 6" From Wall; 3' 6" O.C. (1500 lumens)	
	Below Fixture	Between Fixtures	Below Fixture	Between Fixtures
1	22	20	15	13
2	36	33	25	22
3	36	35	27	26
4	29	29	24	24
5	23	22	20	19
6	17	17	16	15
7	13	13	13	12
8	10	10	10	10
9	8	8	8	8
10	6	6	6	6
11	5	5	5	5
12	4	4	4	4

This table lists initial illuminance values at the center of a row of at least 5 fixtures with no contribution from ceiling or floor reflectance. Fixtures were modeled with maximum candlepower at 20° to 25° above vertical.

## CANDLEPOWER DISTRIBUTION



## LIGHT OUTPUT MULTIPLIER

(Based on 1500 lumens 80 CRI option)

LED Module Type	Light Output Multiplier
1200 Lumens 98 CRI (L12A)	0.76*
1500 Lumens 80 CRI (L15S)	1

\*estimated values

## STANDARD DRIVER INFORMATION

(UL Class 2, dry and damp location)

Voltage	120	277
Input Watts (L12A/L15S)	14/14	14/14
Input Current(A) (L12A/L15S)	.12/.12	.05/.05
Output Current (mA)	350	350
Min. Power Factor	0.90	0.90
Operating Temperature Range (F)	-4 to 122	-4 to 122

## LUMINAIRE LIGHT OUTPUT AND EFFICACY

LED Module Type	Luminaire Light Output	Luminaire Efficacy (lms/watt)	System Wattage
1200 Lumens 98 CRI (L12A)	658*	47*	14
1500 Lumens 80 CRI (L15S)	866	62	14

\*estimated values